



**EVI 5 S13**

Solenoid System

# EVI 5 S13

## Solenoid System

The EVI5 S13 system by AMISCO includes a wide range of solenoid operators designed for pneumatic valves. All solenoids of this system have the guide tube with a diameter of 13 mm and the hexagonal plunger CH 11. The system is designed for use with air.

Please contact Amisco for use with other media.

### COIL

The coil is available with different electrical terminations. Types, power and other characteristics are described in the following pages.

All coils feature:

- **heat resistant bobbin moulded with 30% glass filled thermoplastic polyester material**
- **class H wire 200°C according to IEC 60317-13**
- **built-in magnetic yoke made by low carbon iron**
- **encapsulation with high quality specially designed glass filled nylon**
- **copper and plastic material used are UL-Listed.**

The use of other materials is possible upon special agreements. Coils are rated to class F. The coil is designed and constructed in accordance to EN 60204.1 and VDE 0580 and it is suitable for industrial ambient conditions. For use in special ambients with high humidity, please, take contact with Amisco.

The data reported on this catalogue are referred to EVI 5E and 5M. We have also other type of coil EVI 5, with higher performance, available. Please refer to EVI 5 coil system catalogue and contact Amisco for further details.

### SOLENOID OPERATOR

Cores are made by a magnetic stainless steel specially designed for solenoid applications.

The guide tube is available both in brass and in stainless steel.

The plunger is normally equipped with NBR rubber seals.

Other materials like FKM are available upon request.

The armature assembly is designed for more than 10 million cycles.

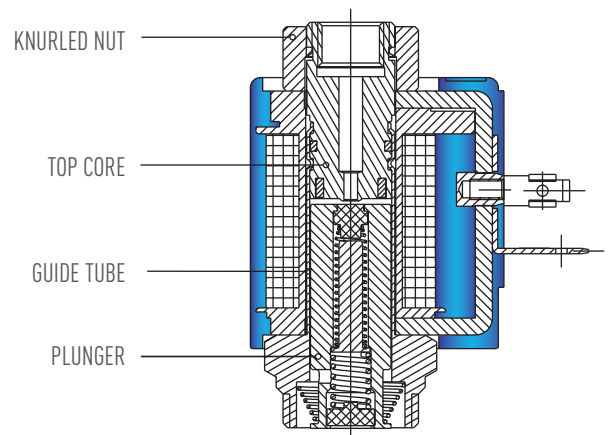
### COMPLETE SOLENOID

The coil is fastened to the plungerguide tube by means of a knurled nut for ease of change over without interrupting the pneumatic circuit.

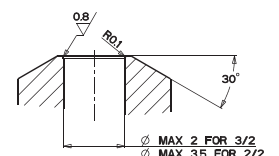
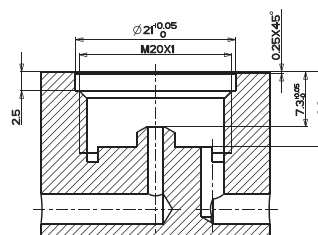
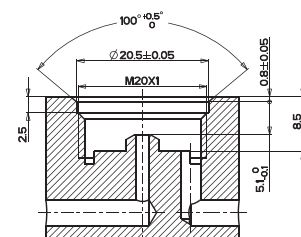
The armature assy is fixed to the valve body by means of a M20x1 thread.

The suggested interface dimensions of the valve body are shown at side.

Any change to the prescribed dimensions can modify the performances of the solenoid operator.



EVI 5 S13



The specifications and drawings contained herein are believed to be correct and are given in good faith, however no liability is accepted therefore. Manufacturer reserves the right to modify said specifications and drawings without notice for technical or commercial reasons.

## SOLENOID SYSTEMS

for 3/2 and 2/2 way normally closed and normally open valves

### Coil EVI 5M/13

	Characteristics	DC	AC (50 Hz)	AC (60 Hz)
Electrical termination:	<b>Rated power DC</b> <b>W</b>	10		
<b>Terminals EN 175301 - 803 / DIN 43650 A</b> Code: 5M13D...	<b>Inrush power AC</b> <b>VA</b>		23	19
<b>Flying leads</b> Code: 5M13C...	<b>Rated power AC</b> <b>VA</b>		13	11
	<b>Coil temperature rise @ 50°C ambient T</b>	50	50	45
	<b>Copper temperature rise @ 50°C ambient T</b>	85	70	60

#### Note:

Voltage tolerance:      ± 10%	Standard voltages:      24 - 110 - 230 VAC
Temperature range:      -20°C ÷ +50°C	12 - 24 VDC
Duty cycle:              100%	Other voltages on request

For different orifice sizes and pressures contact AMISCO.

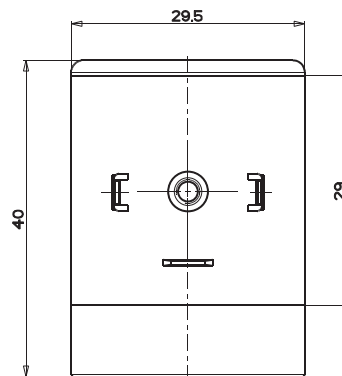
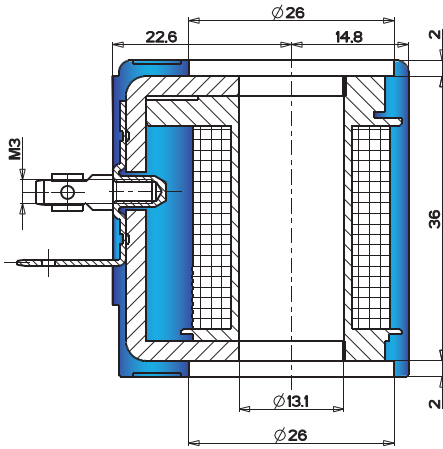
### S13 Solenoid Operator

	Characteristics	DC	AC (50 Hz)	AC (60 Hz)
<b>3/2 way NC Thread</b> Code: 13F...	<b>Inlet orifice Ø</b> <b>mm</b>	2	2	2
	<b>Exhaust orifice Ø</b> <b>mm</b>	2	2	2
	<b>Working pressure</b> <b>bar</b>	0-10	0-10	0-10
<b>2/2 way NC Thread</b> Code: 13F...	<b>Inlet orifice Ø</b> <b>mm</b>	2	2	2
	<b>Working pressure</b> <b>bar</b>	0-10	0-10	0-10
<b>3/2 way NO Thread</b> Code: 13F...	<b>Inlet orifice Ø</b> <b>mm</b>	2	2	2
	<b>Working pressure</b> <b>bar</b>	0-10	0-10	0-10

## EVI 5M EN 175301 - 803 / DIN 43650 A

PART NUMBER 5M13D...

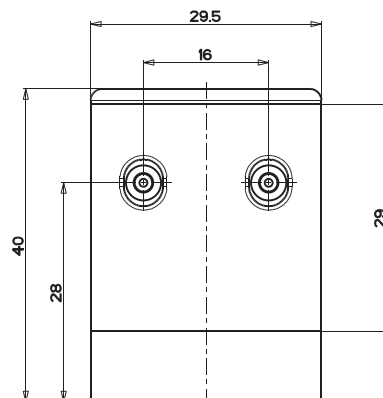
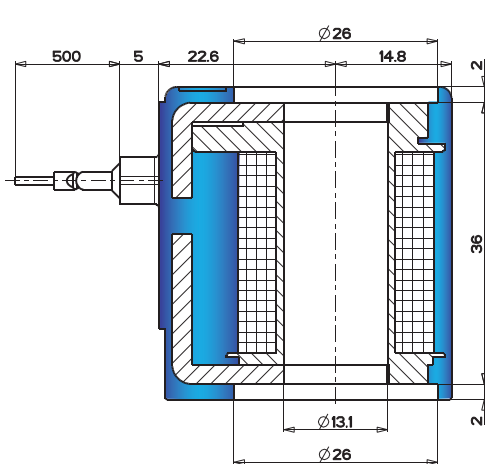
Tightening Torque 0.4 ÷ 0.6 Nm



## EVI 5M Flying Leads

PART NUMBER 5M13C...

500 mm flying leads as a standard, PVC 105°C Ø2.25



# COIL CODING SPECIFICATIONS

**PART NUMBER:** X X 1 3 Y K 5 5 5 4 4 \* \*

## TYPE

5E = EVI 5E  
5M = EVI 5M

## ELECTRICAL CONNECTION

D = DIN 43650 A  
C = Flying leads

## SUPPLY CURRENT

A = Alternating current (A.C.)  
D = Direct current (D.C.)  
R = Rectified alternating current (R.A.C.)

## NOMINAL VOLTAGE

Example: 024 = 24V  
220 = 220 V

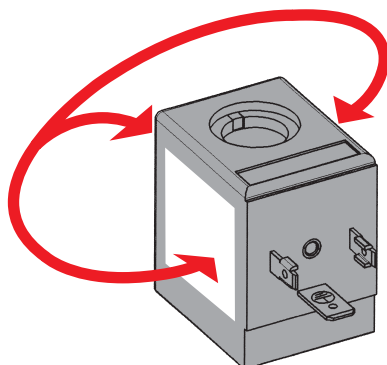
## EVI 5M 13 WINDING CODES

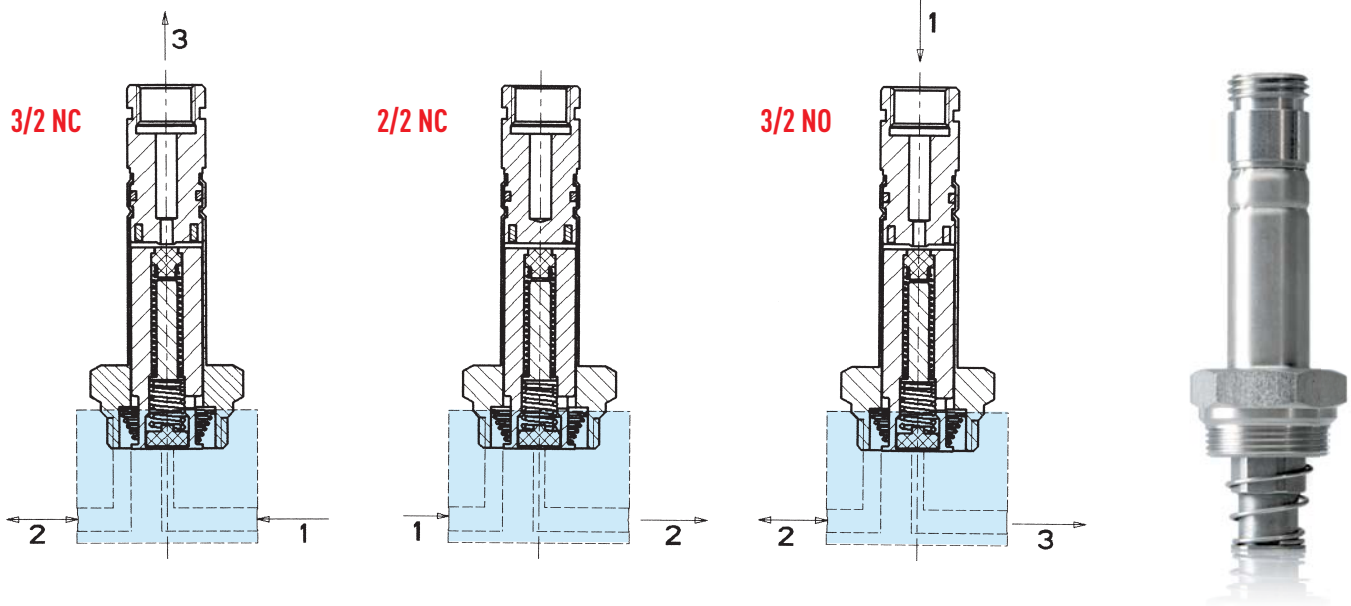
Nominal Voltage	Power	Winding Code
12VDC	10W	02
24VDC	10W	02
24VAC	13VA	01
110VAC	13VA	01
230VAC	13VA	01

## MARKING

ZN = Standard - no logo  
AM = Standard + Amisco logo  
... = Customized marking

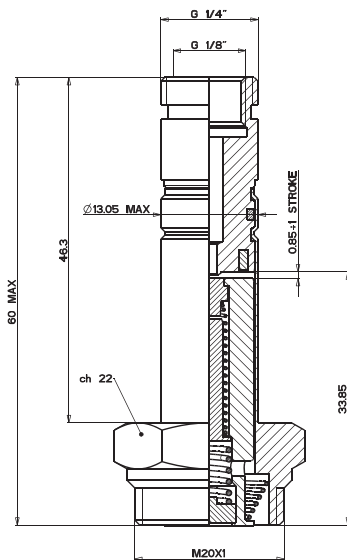
Alternative possibilities for  
**CUSTOMER LOGO**



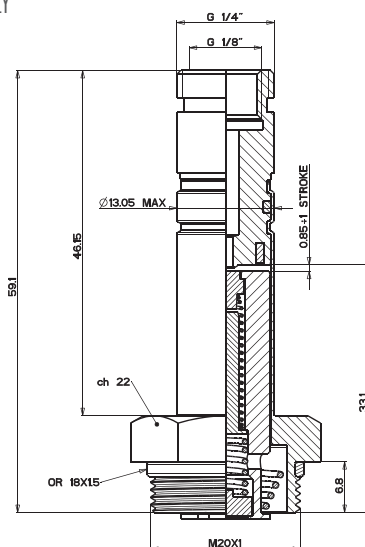


### 3/2 OPERATOR

CONICAL ASSEMBLY

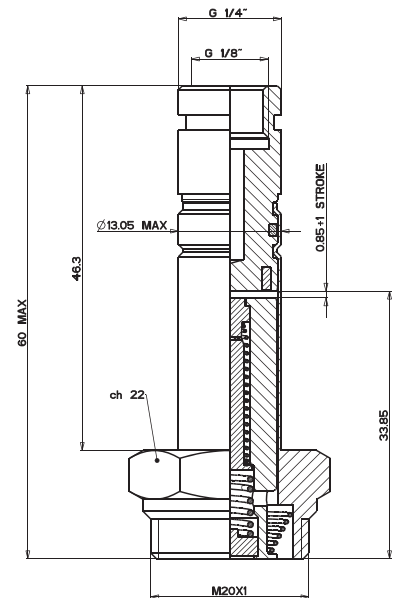


O-RING ASSEMBLY

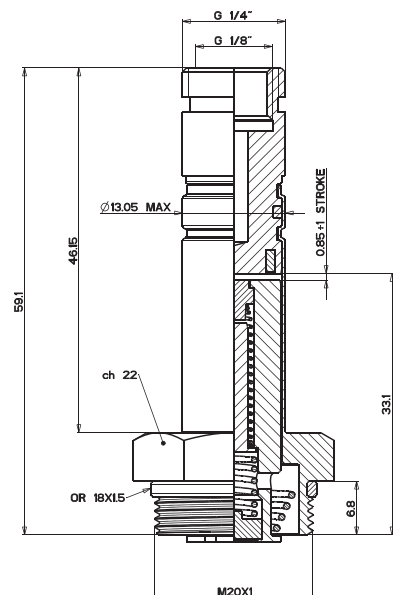


### 2/2 OPERATOR NC

CONICAL ASSEMBLY



O-RING ASSEMBLY



Note: the plunger sliding-tube is available both in brass and in stainless steel.

# ARMATURE CODING SPECIFICATIONS

PART NUMBER:

**1 3 F A A A A A R 9 C Z K**

## DRAWING NUMBER

Please contact Amisco for more info

## SUPPLY CURRENT

A = Alternating current (AC)  
**D = Direct current (DC)**

## FUNCTION

**2 = 2/2 way**  
 3 = 3/2 way

## FUNCTION

**C = Normally closed**  
 O = Normally open

## SEALS

**N = NBR**  
 V = FKM

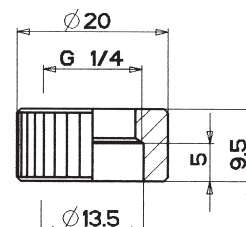
## FASTENING SYSTEM

**N = Without fastening system.**  
**Fastening nuts to be ordered separately as below reported.**

**FASTENING NUTS** - to be ordered separately (Note: tightening torque 0.4÷0.6 Nm)

Aluminium knurled nut

P/N 540224





w w w . a m i s c o . i t



**AMISCO S.p.a.**  
Via Piaggio, 70  
20037 Paderno Dugnano (Mi)  
Italy

Tel. +39 02.99.00.181  
Fax +39 02.99.00.18.60  
amisco@amisco.it