

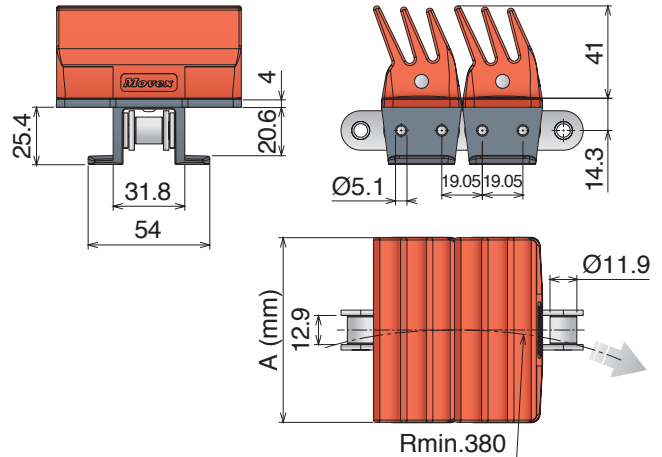
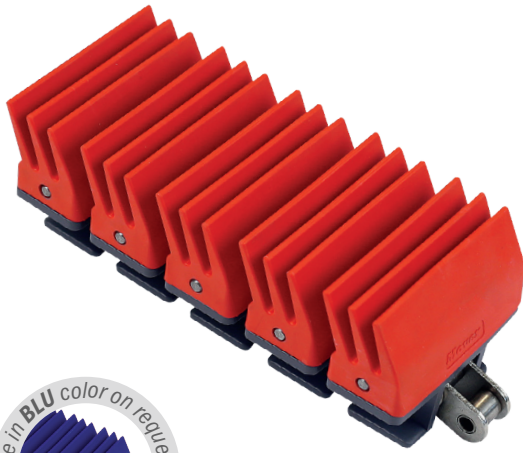
1873 GRIPPER GS1

Catene in plastica / Plastic chains / Scharnierbandketten aus Kunststoff

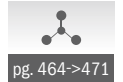
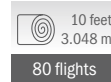
1873 GRIPPER GS1

Catena curvilinea
Sideflexing chain / Kurvengängige Scharnierbandkette

The stainless steel version is supplied with LONG-LIFE SS roller chain.



Tab System



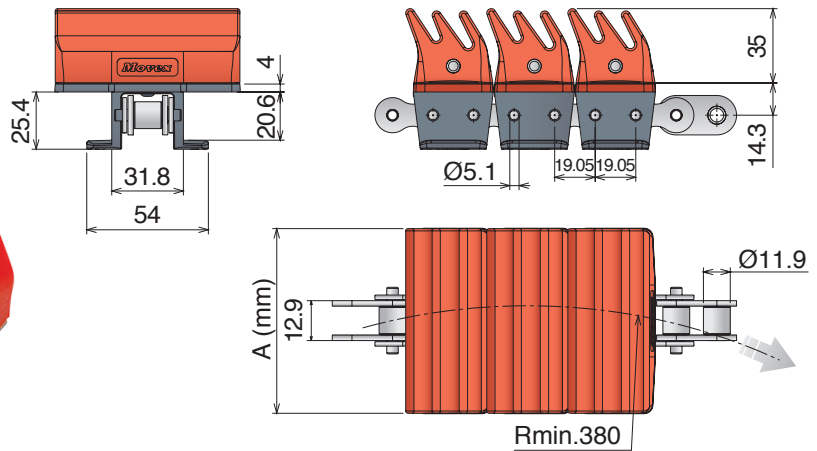
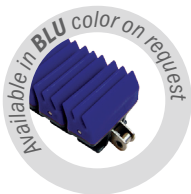
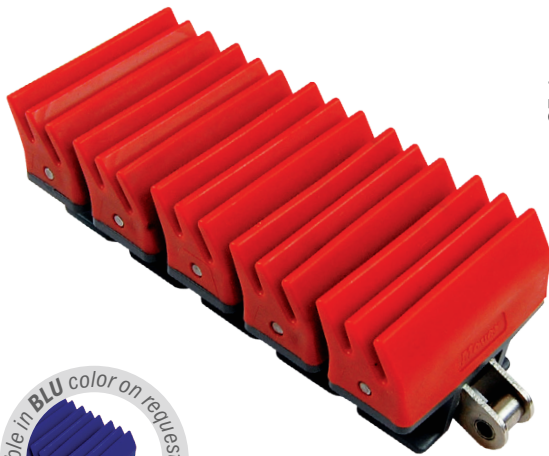
Standard length roller chain: 160 Pitches

Article-Nr.	Chain	Ref.	A (Width) mm	Max working load (N)	Weight kg/m	Rubber	Material			
11200102	C45	1873 TAB K325 GR	82,5	4500	4,354	TPR	LFD			
11200105		1873 TAB K450 GR	114,3							
11200202	Nickel Plated Steel	1873 NP TAB K325 GR	82,5	3500						
11200205		1873 NP TAB K450 GR	114,3							
11200302	Stainless Steel	1873 SS TAB K325 GR	82,5	3500						
11200305		1873 SS TAB K450 GR	114,3							
11320102	C45	1873 TAB K325 GR	82,5	4500				4,354	TPR	MX
11320105		1873 TAB K450 GR	114,3							
11320202	Nickel Plated Steel	1873 NP TAB K325 GR	82,5	3500						
11320205		1873 NP TAB K450 GR	114,3							
11320302	Stainless Steel	1873 SS TAB K325 GR	82,5	3500						
11320305		1873 SS TAB K450 GR	114,3							
11210102	C45	1873 TAB K325 GR	82,5	4500	4,354	EPDM-PP	PP			
11210105		1873 TAB K450 GR	114,3							
11210202	Nickel Plated Steel	1873 NP TAB K325 GR	82,5	3500						
11210205		1873 NP TAB K450 GR	114,3							
11210302	Stainless Steel	1873 SS TAB K325 GR	82,5	3500						
11210305		1873 SS TAB K450 GR	114,3							
11330102	C45	1873 TAB K325 GR	82,5	4500				4,354	TPR	MWX
11330105		1873 TAB K450 GR	114,3							
11330202	Nickel Plated Steel	1873 NP TAB K325 GR	82,5	3500						
11330205		1873 NP TAB K450 GR	114,3							
11330302	Stainless Steel	1873 SS TAB K325 GR	82,5	3500						
11330305		1873 SS TAB K450 GR	114,3							

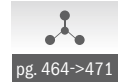
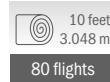
1873 GRIPPER GS2

Catena curvilinea
Sideflexing chain / Kurvengängige Scharnierbandkette

The stainless steel version is supplied with LONG-LIFE SS roller chain.



Tab System



Standard length roller chain: 160 Pitches

Article-Nr.	Chain	Ref.	A (Width) mm	Max working load (N)	Weight kg/m	Rubber	Material			
11280102	C45	1873 TAB K325 GR	82,5	4500	4,354	TPR	LFD			
11280105		1873 TAB K450 GR	114,3							
11280202	Nickel Plated Steel	1873 NP TAB K325 GR	82,5	3500						
11280205		1873 NP TAB K450 GR	114,3							
11280302	Stainless Steel	1873 SS TAB K325 GR	82,5	3500						
11280305		1873 SS TAB K450 GR	114,3							
11340102	C45	1873 TAB K325 GR	82,5	4500				4,354	TPR	MX
11340105		1873 TAB K450 GR	114,3							
11340202	Nickel Plated Steel	1873 NP TAB K325 GR	82,5	3500						
11340205		1873 NP TAB K450 GR	114,3							
11340302	Stainless Steel	1873 SS TAB K325 GR	82,5	3500						
11340305		1873 SS TAB K450 GR	114,3							
11290102	C45	1873 TAB K325 GR	82,5	4500	4,354	EPDM-PP	PP			
11290105		1873 TAB K450 GR	114,3							
11290202	Nickel Plated Steel	1873 NP TAB K325 GR	82,5	3500						
11290205		1873 NP TAB K450 GR	114,3							
11290302	Stainless Steel	1873 SS TAB K325 GR	82,5	3500						
11290305		1873 SS TAB K450 GR	114,3							
11350102	C45	1873 TAB K325 GR	82,5	4500				4,354	TPR	MWX
11350105		1873 TAB K450 GR	114,3							
11350202	Nickel Plated Steel	1873 NP TAB K325 GR	82,5	3500						
11350205		1873 NP TAB K450 GR	114,3							
11350302	Stainless Steel	1873 SS TAB K325 GR	82,5	3500						
11350305		1873 SS TAB K450 GR	114,3							

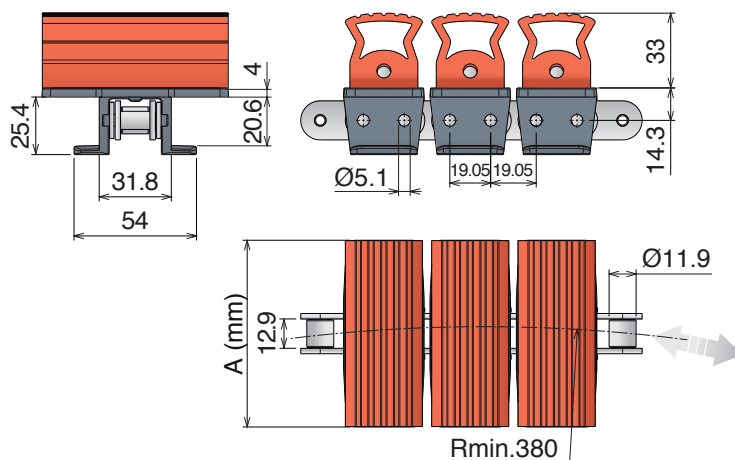
1873 GRIPPER GS4

Catene in plastica / Plastic chains / Scharnierbandketten aus Kunststoff

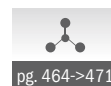
1873 GRIPPER GS4

Catena curvilinea
Sideflexing chain / Kurvengängige Scharnierbandkette

The stainless steel version is supplied with LONG-LIFE SS roller chain.



Tab System



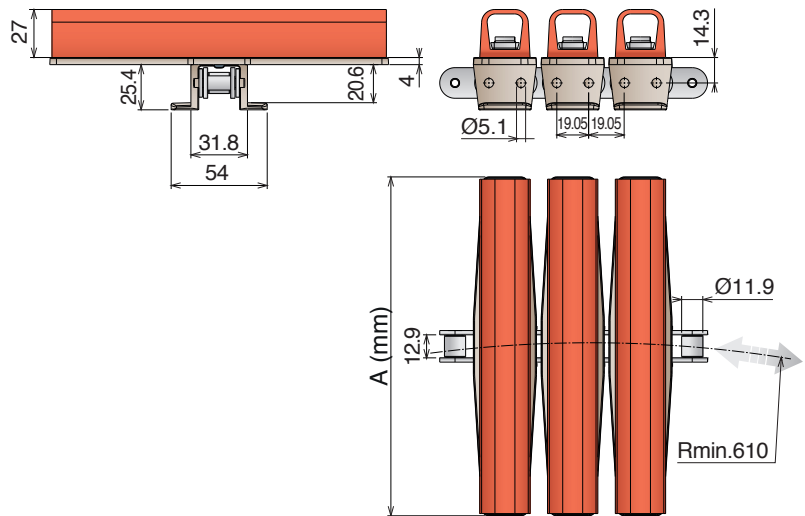
Standard length roller chain: 160 Pitches

Article-Nr.	Chain	Ref.	A (Width) mm	Max working load (N)	Weight kg/m	Rubber	Material			
11830102	C45	1873 TAB K325 GR	82,5	4500	4,15	TPR	LFD			
11830105		1873 TAB K450 GR	114,3							
11830202	Nickel Plated Steel	1873 NP TAB K325 GR	82,5	3500						
11830205		1873 NP TAB K450 GR	114,3							
11830302	Stainless Steel	1873 SS TAB K325 GR	82,5	3500						
11830305		1873 SS TAB K450 GR	114,3							
11840102	C45	1873 TAB K325 GR	82,5	4500				4,15	TPR	MX
11840105		1873 TAB K450 GR	114,3							
11840202	Nickel Plated Steel	1873 NP TAB K325 GR	82,5	3500						
11840205		1873 NP TAB K450 GR	114,3							
11840302	Stainless Steel	1873 SS TAB K325 GR	82,5	3500						
11840305		1873 SS TAB K450 GR	114,3							
11850102	C45	1873 TAB K325 GR	82,5	4500	4,15	EPDM-PP	PP			
11850105		1873 TAB K450 GR	114,3							
11850202	Nickel Plated Steel	1873 NP TAB K325 GR	82,5	3500						
11850205		1873 NP TAB K450 GR	114,3							
11850302	Stainless Steel	1873 SS TAB K325 GR	82,5	3500						
11850305		1873 SS TAB K450 GR	114,3							
11860102	C45	1873 TAB K325 GR	82,5	4500				4,15	TPR	MWX
11860105		1873 TAB K450 GR	114,3							
11860202	Nickel Plated Steel	1873 NP TAB K325 GR	82,5	3500						
11860205		1873 NP TAB K450 GR	114,3							
11860302	Stainless Steel	1873 SS TAB K325 GR	82,5	3500						
11860305		1873 SS TAB K450 GR	114,3							

1873 D-SHAPE

Catena curvilinea
Sideflexing chain / Kurvengängige Scharnierbandkette

The stainless steel version is supplied with LONG-LIFE SS roller chain.



Tab System



Standard lenght roller chain: 160 Pitches

Article-Nr.	Chain	Ref.	A (Width) mm	Weight kg/m	Max working load (N)	Rubber	Material		
11870106	C45	1873 TAB K600 D	152,4	4,00	4500	TPR	LF		
11870107		1873 TAB K750 D	190,5	4,90					
11870206	Nickel Plated Steel	1873 NP TAB K600 D	152,4	4,00	3500				
11870207		1873 NP TAB K750 D	190,5	4,90					
11870306	Stainless Steel	1873 SS TAB K600 D	152,4	4,00	3500				
11870307		1873 SS TAB K750 D	190,5	4,90					
11880106	C45	1873 TAB K600 D	152,4	4,00	4500			TPR	MX
11880107		1873 TAB K750 D	190,5	4,90					
11880206	Nickel Plated Steel	1873 NP TAB K600 D	152,4	4,00	3500				
11880207		1873 NP TAB K750 D	190,5	4,90					
11880306	Stainless Steel	1873 SS TAB K600 D	152,4	4,00	3500				
11880307		1873 SS TAB K750 D	190,5	4,90					
11890106	C45	1873 TAB K600 D	152,4	4,00	4500	EPDM-PP	MPX		
11890107		1873 TAB K750 D	190,5	4,90					
11890206	Nickel Plated Steel	1873 NP TAB K600 D	152,4	4,00	3500				
11890207		1873 NP TAB K750 D	190,5	4,90					
11890306	Stainless Steel	1873 SS TAB K600 D	152,4	4,00	3500				
11890307		1873 SS TAB K750 D	190,5	4,90					



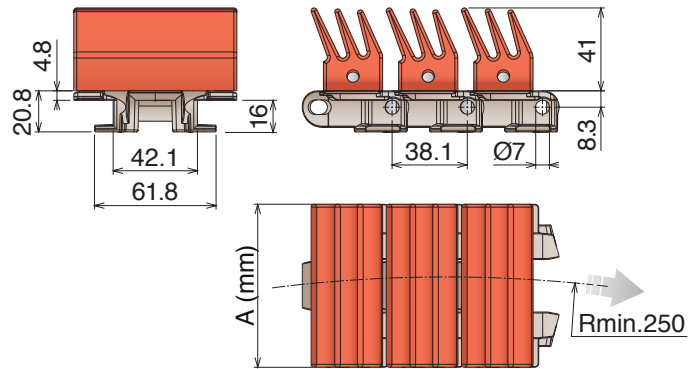
878 GRIPPER GS1/GS2/GS4

Catene in plastica / Plastic chains / Scharnierbandketten aus Kunststoff

878 GRIPPER

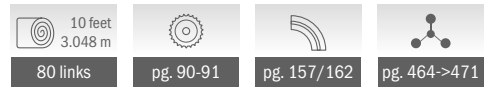
Catena curvilinea
Sideflexing chain / Kurvengängige Scharnierbandkette

New

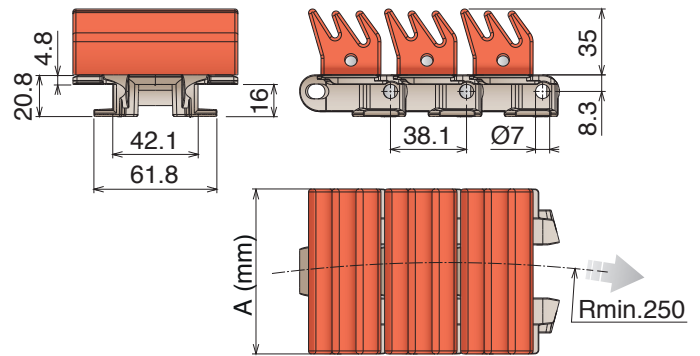


GS1

Tab System

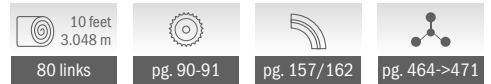


Article-Nr.	Ref.	A (Plate Width) mm	R mm	Weight kg/m	Max working load (N)	Rubber	Material
11800102	LF 878 GS1 K325	82,5	250	4,65	2200	TPR	LF

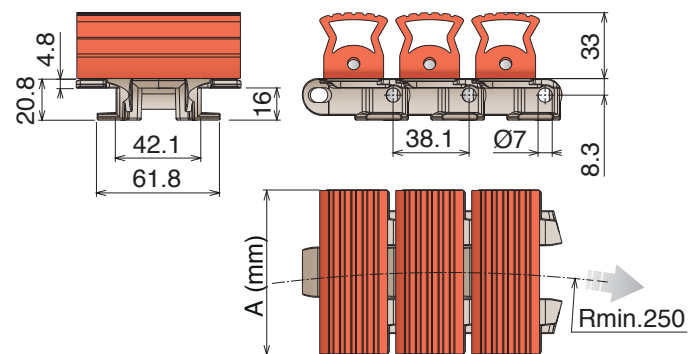


GS2

Tab System

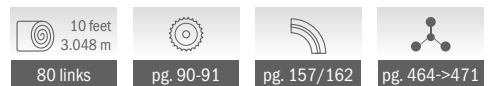


Article-Nr.	Ref.	A (Plate Width) mm	R mm	Weight kg/m	Max working load (N)	Rubber	Material
11810102	LF 878 GS2 K325	82,5	250	4,05	2200	TPR	LF



GS4

Tab System



Article-Nr.	Ref.	A (Plate Width) mm	R mm	Weight kg/m	Max working load (N)	Rubber	Material
11820102	LF 878 GS4 K325	82,5	250	4,10	2200	TPR	LF