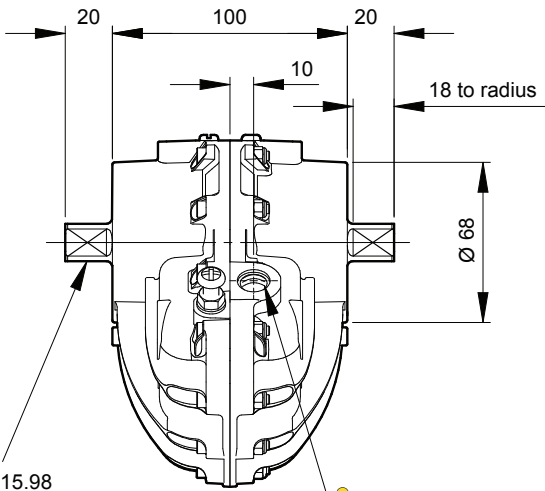


Standard Coupling  
(supplied with actuator  
weight 0.37 lbs/0.17 kg)

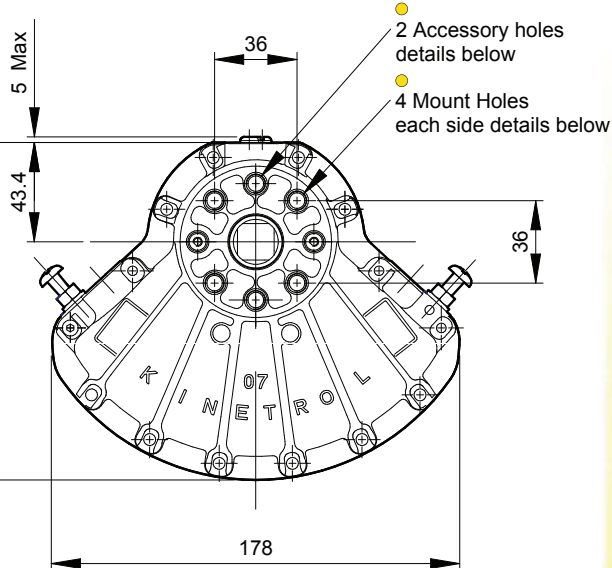


15.98  
15.93  
Both ends  
Shown at centre  
of travel

2 Air ports staggered  
thread details below

**Air Port/Mount Hole Details**

Model	Air Ports	Mount Holes & Accessory Mount Holes
074-100	G <sup>1</sup> / <sub>4</sub>	4 x M8 x 16 deep on 50.9 PCD 2 x M8 x 16 deep on 50.8 PCD
077-100	1/4 NPT	4 x 5/16 -18 UNC x 0.63" deep on 2.00" PCD 2 x 5/16 -18 UNC x 0.63" deep on 2.00" PCD



Visual Red Indicator supplied as standard - see page 3

**Specification**

**Output Torque**

1080 lbf ins/124 Nm  
at 100 psi/7 bar

**Angle of Travel  
(adjustable)**

80° - 100°  
(restricted travel  
versions available)

**Displaced Volume**

18.3 in<sup>3</sup>/300 cm<sup>3</sup>

**Finish**

Epoxy stove enamel

**Weight**

6.91 lb/3.13 kg  
(excluding coupling)

For further information  
see General  
Specification on  
page 50.

**Options**

- Fail safe spring return units - clockwise or counter clockwise see pages 5-7
- Limit switch boxes for open/close indication - various switches for hazardous areas see pages 9-12
- Integral solenoid valve see page 20
- AP pneumatic positioner - full range of options see pages 17/18
- EL electropneumatic positioner - full range of options see pages 15/16
- P3 on/off positioner full range of options including hazardous area see pages 21-23
- Clear Cone position monitor see page 20
- 180° model see pages 25/26
- Female drive and mounting details to DIN 3337 and ISO 5211 see page 50
- ISO adaptor see page 8
- G<sup>3</sup>/<sub>8</sub> or 3/8 NPT air port option available - contact Kinetrol
- Spring to centre see page 24
- Geared manual override see page 46
- Code identification see page 62
- Torque outputs see pages 58-60
- See pages 49-52 for English dimensions and dimensions of spring options
- High temperature / Low temperature options see page 50

