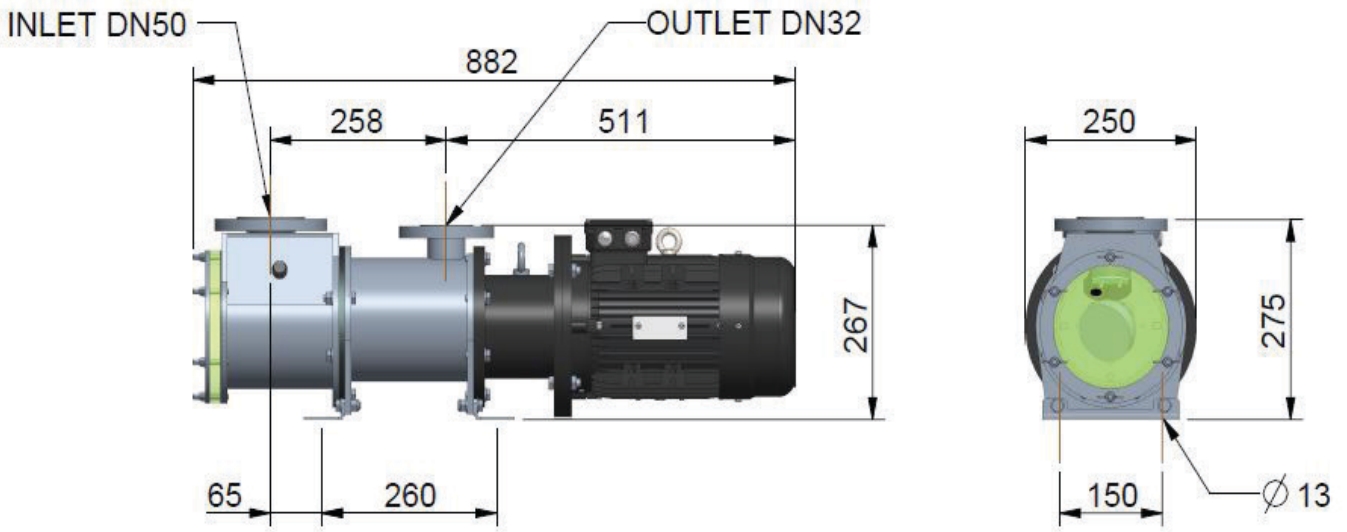


6555530 EVAC ONLINE PUMP E 26



Materials Housing: Stainless steel AISI 316L
Helical screw: Stainless steel AISI 316L
Shaft: Stainless steel AISI 316L
Cutter: Stainless steel AISI 420

Operating data Capacity: 22 m³/h (50 Hz), 26 m³/h (60 Hz)
Noise level: 73 dB(A)

Electrical data

230 V 50 Hz			400 V 50 Hz			380-420 V 50 Hz		
Nominal		Motor speed	Nominal		Motor speed	Nominal		Motor speed
power	current		power	current		power	current	
3.0 kW	11.0 A	2910 rpm	3.0 kW	6.1 A	2910 rpm	3.0 kW	6.5 A	2910 rpm
Max. ambient temp. +40°C								
440-480 V 60 Hz								
Nominal		Motor speed						
power	current							
3.5 kW	6.3 A	3490 rpm						
Max. ambient temp. +45°C								

Protection class: IP55
Insulation class: F/B
Efficiency class: IE2

Connections Inlet: DN50, PN10
Outlet: DN32, PN10

Shipping data Net weight: 72 kg