

**SPECIFICATIONS**

18 gauge phosphatized galvanized steel with red glossy polyester coating with one shelf. Doors with continuous steel hinge (stainless steel pin) equipment brackets and padlock hasp, shipped assembled with thread attachment for pipe legs and 4" high Fire Hose lettering. Two sets of louvers on each door. Size as selected by model number.

**MODEL SELECTION**

- 6030
- 6035

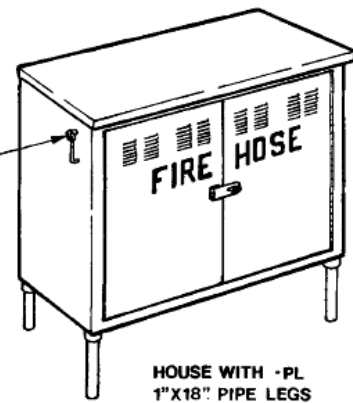
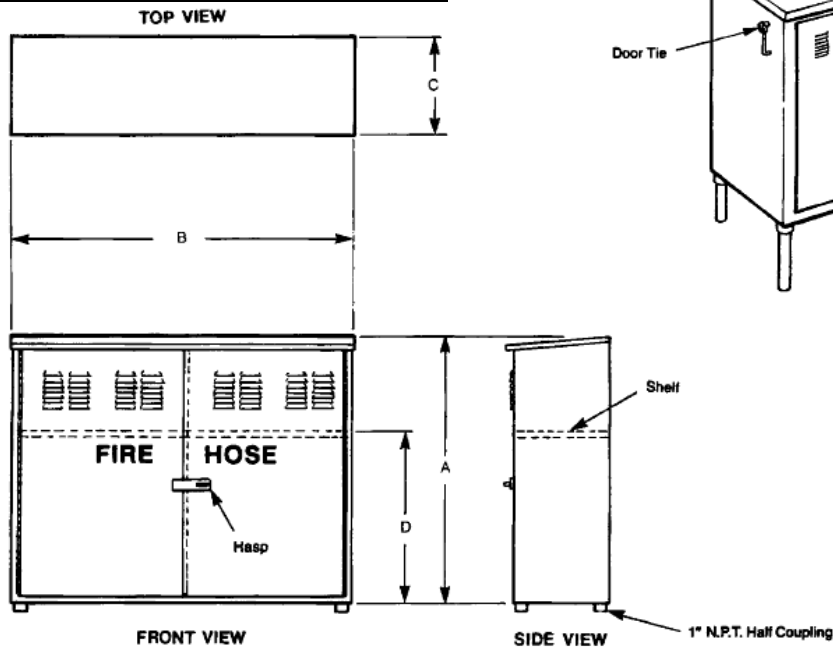
**PRODUCT OPTIONS**

**MATERIAL:**

- AL Aluminum construction with red glossy polyester coating
- PL 1 x 18 inch long pipe legs

**MODEL DIMENSIONS**

Model No.	A	B	C	D
6030	48"	60"	15"	36"
6035	36"	45"	15"	24"

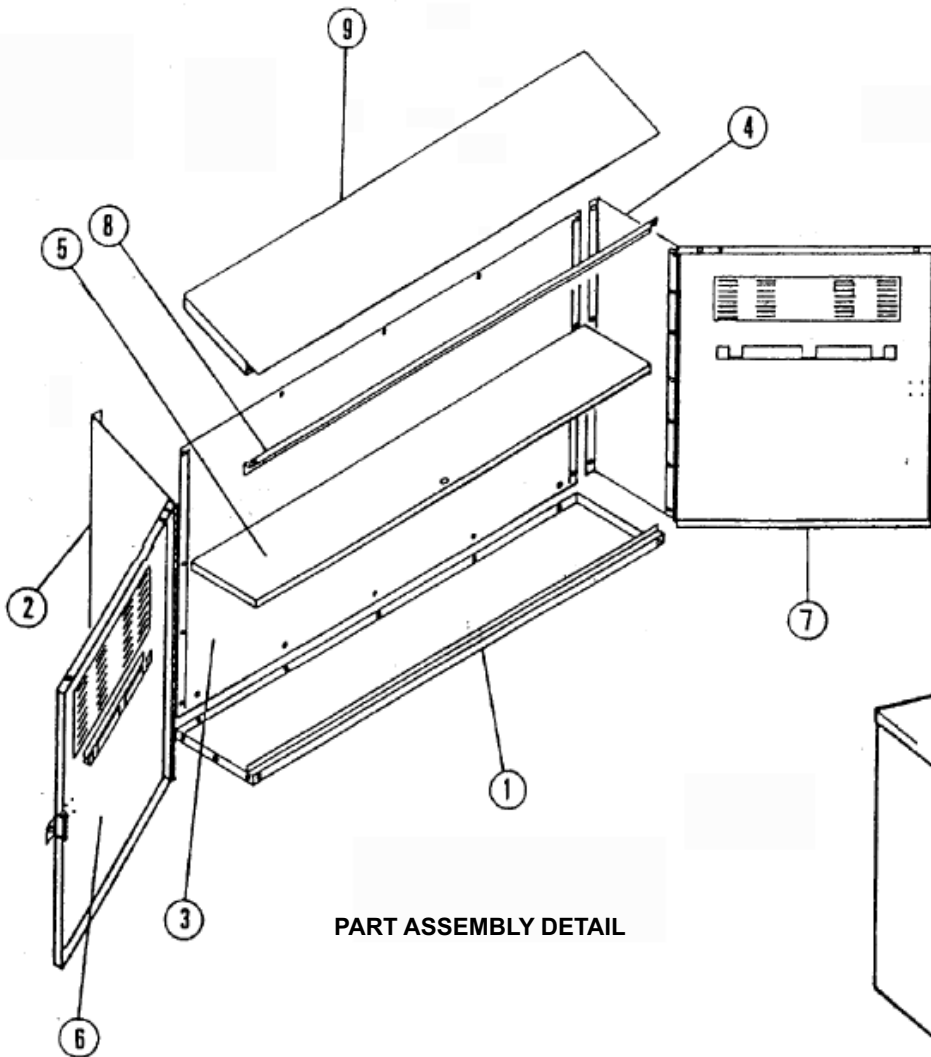


<p>Call Potter Roemer - Fire Pro for current listings and approvals. Dimensions are subject to manufacturer's tolerance and may change without notice. Potter Roemer- Fire Pro assumes no responsibility for use of void or superceded data. © Copyright Potter Roemer- Fire Pro, Member of Morris Group International™ Please visit <a href="http://potterroemer.com">potterroemer.com</a> for most current specifications.</p> <p><b>6030 SERIES</b>      Date: 09/20/18</p>	<p><b>MEMBERSHIP</b></p>  <p><b>MEMBERSHIP</b></p> <p>AMERICAN FIRE SPRINKLER ASSOCIATION, INC.</p> <p>NATIONAL FIRE EQUIPMENT MANUFACTURERS' ASSOCIATION</p> <p>AMERICAN SOCIETY OF PLUMBING ENGINEERS</p> <p>U.S. GREEN BUILDING COUNCIL MEMBER</p>	<p><b>POTTER ROEMER/FIRE PRO</b></p> <p>Headquarters: P.O. Box 3527 City of Industry, CA 91744 U.S.A. Los Angeles Area 800-366-3473 626-855-4890</p> <p>Also in: New York (800) 526-4592 Chicago (800) 547-3473 Atlanta (800) 762-0542 Miami (866) 961-3473 Dallas (866) 644-3473</p> <p><a href="http://www.potterroemer.com">www.potterroemer.com</a></p>
--	---	---

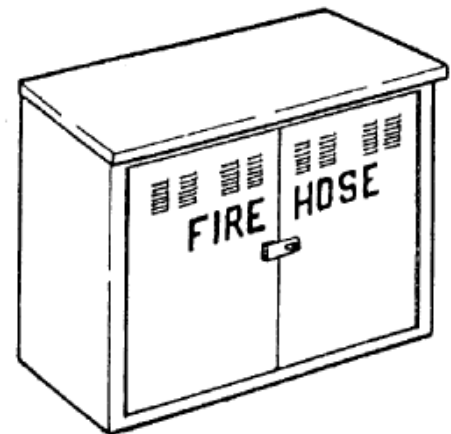
**MODEL ASSEMBLY**

**PARTS LIST**

NO.	DESCRIPTION	QTY.	NO.	DESCRIPTION	QTY.
1	BASE SECTION	1	6	LEFT DOOR	1
2	LEFT SIDE PANEL	1	7	RIGHT DOOR	1
3	BACK PANEL	1	8	BRACING BAR	2
4	RIGHT SIDE PANEL	1	9	TOP PANEL	1
5	SHELF SECTION	1			



**PART ASSEMBLY DETAIL**



**ASSEMBLED UNIT**

Call Potter Roemer - Fire Pro for current listings and approvals. Dimensions are subject to manufacturer's tolerance and may change without notice. Potter Roemer - Fire Pro assumes no responsibility for use of void or superceded data. © Copyright Potter Roemer - Fire Pro, Member of Morris Group International™ Please visit [potterroemer.com](http://potterroemer.com) for most current specifications.

**6030 SERIES**

Date: 09/20/18

**MEMBERSHIP**



**FIRE EQUIPMENT  
MANUFACTURERS'  
ASSOCIATION**



**POTTER ROEMER/FIRE PRO**

Headquarters:  
P.O. Box 3527  
City of Industry, CA  
91744 U.S.A.  
Los Angeles Area  
800-366-3473  
626-855-4890

Also in:  
New York (800) 526-4592  
Chicago (800) 547-3473  
Atlanta (800) 762-0542  
Miami (866) 961-3473  
Dallas (866) 644-3473

[www.potterroemer.com](http://www.potterroemer.com)