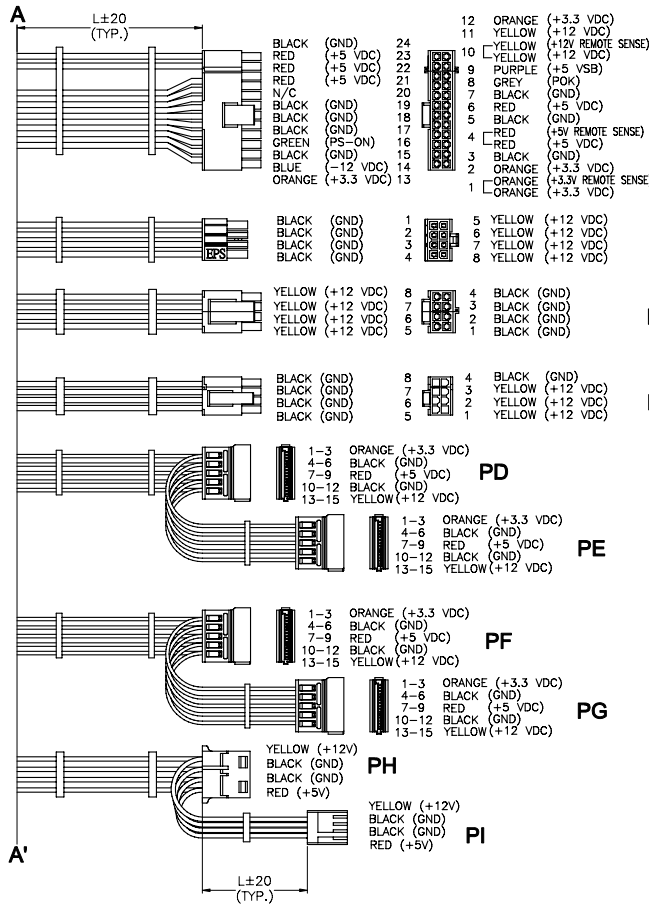


**POWER WIRE LENGTH(L)**

P24	PA	PB	PC	PD	PE	PF	PG	PH	PI	PJ
500	500	500	510	500	200	500	200	500	200	500
PK	PL	PM	PN	PO	PP	PQ	PR	PS	PT	PU
200	200	500	200	200	500	200	200	500	200	200

TOLERANCES: ±20 UNIT: mm

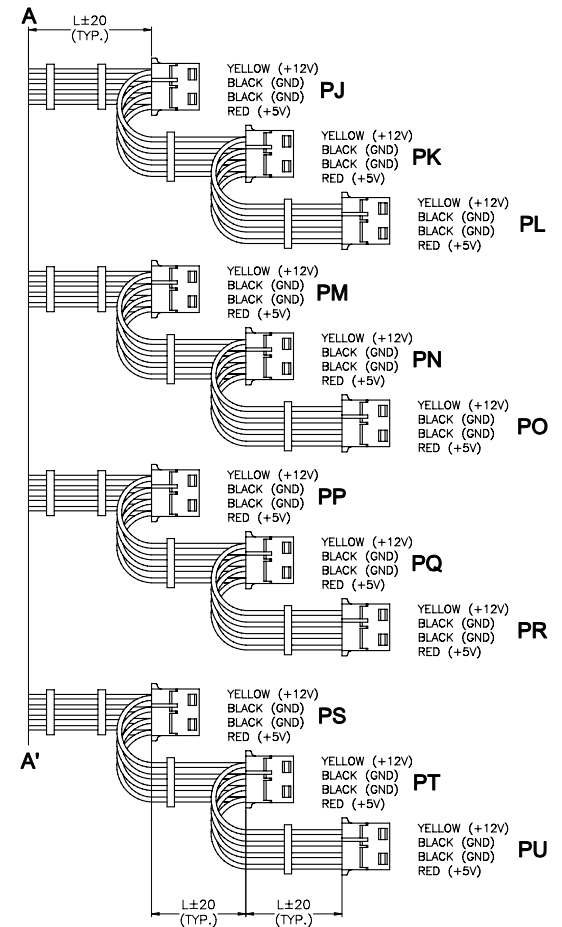


**Notes:**

- (a) All the Length of Output Wires Exclude Housing.
- (b) P24 Connector: DST CH4201-220M/2 + CH4201-204M/2 or EQUIV.  
Terminal: MOLEX 39-00-0059/79 or EQUIV.
- (c) PA Connector: MOLEX 39-01-2060 or EQUIV.  
Terminal: MOLEX 39-00-0059/79 or EQUIV.
- (d) PB Connector: WST P8-142002K3 or EQUIV.  
Terminal: MOLEX 39-00-0079/59 or EQUIV.
- (e) PC Connector: WST P6-142002K13-RE + P2-142002K13A-RE or EQUIV.  
8P(6P+2P) PCI Express  
Terminal: MOLEX 39-00-0059 or EQUIV.
- (f) PD-PG Connector: MOLEX 675820000 or EQUIV.  
Terminal: MOLEX 675810000 or EQUIV.

- (g) PH,PJ-PU Connector: AMP 1-480424-0 or EQUIV.  
Terminal: AMP 61117-4 or EQUIV.
- (h) PI Connector: AMP 171822-4 or EQUIV.  
Terminal: AMP 170262-1 or EQUIV.

版次 REV.	修訂 記述 REVISIONS DESCRIPTION	日期 DATE
---------	-----------------------------	---------



容許公差: TOLERANCES:	材料規格: MATERIAL:
.XXX ±.025	核准者: 黃永欣
.XX ±.100	日期: NOV-02-2010
.X ±.250	核對者: 李宗翰
投影法: PROJECTION:	日期: NOV-02-2010
第三角法	日期: NOV-02-2010
	繪圖者: 陳熾屏
	日期: NOV-02-2010

		<b>新巨企業股份有限公司</b> <b>ZIPPY TECHNOLOGY CORP.</b> POWER DIVISION	
品名: MODEL NO:	<b>P2M-5700V</b>		
料號: PART NO:	<b>B00P2M070V006</b>		
圖號: DRAW NO:	<b>B00P2M070V006</b>	檔號: FILE NO:	<b>B00P2M070V006</b>
單位: UNITS:	<b>mm</b>	版次: REV. NO:	<b>B1</b>
	規格: SPEC.:	編號: SHEET:	<b>A0</b> <b>0F</b>