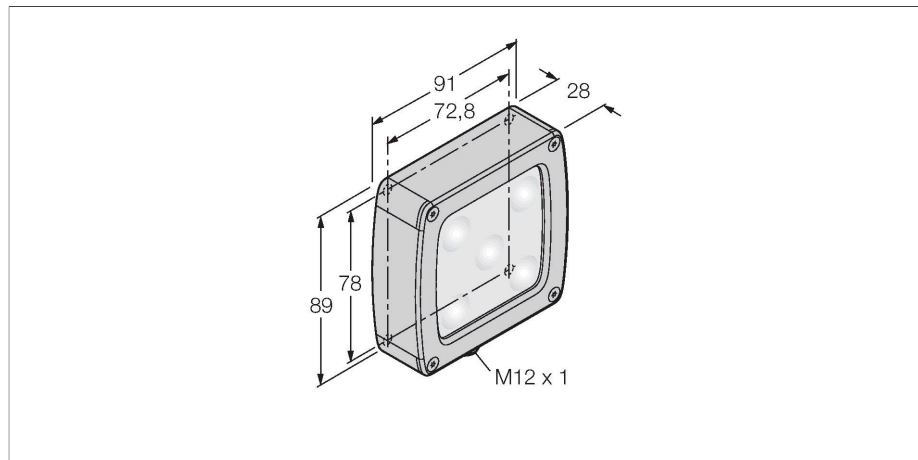


# LEDUV395A70AD5-XQ

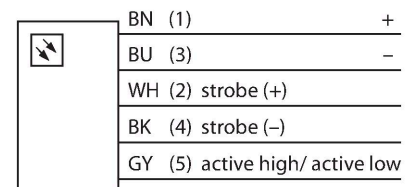
## Vision System – Area Light



### Features

- High-intensity area light
- Protection class: IP68
- Aluminium housing
- Plastic window, opaque
- Power supply: 24 VDC
- M12 x 1 male
- Plastic window, opaque

### Wiring diagram



### Technical data

Type	LEDUV395A70AD5-XQ
ID	3019903
<b>Signal and display data</b>	
Purpose	Image processing
Function	Area light
Light type	UV
Wavelength	395 nm
LED service life (L70)	50000 h
Features of color 1	UV
Special features	Wash down
<b>Electrical data</b>	
Operating voltage	24 VDC
DC rated operational current	≤ 350 mA
Max. current consumption per color	500 mA
<b>Mechanical data</b>	
Design	Rectangular
Dimensions	102 x 91 x 28.2 mm
Housing material	Metal, Nickel-plated aluminum
Window material	Plastic, diffuse
Electrical connection	Connector, M12 × 1, PVC
Number of cores	5
Ambient temperature	0...+50 °C
Protection class	IP68
<b>Tests/approvals</b>	
Approvals	CE, cULus listed

### Functional principle

Area lights are perfectly suited for uniform illumination of a determined area.