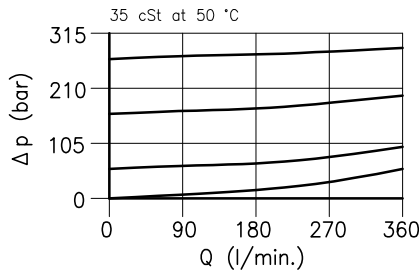
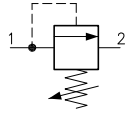
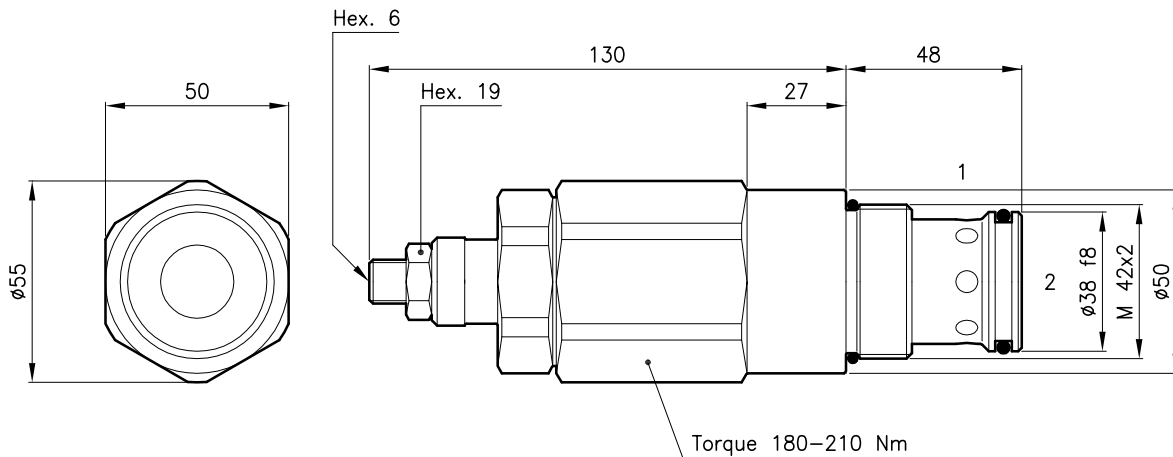


Technical features



Cavity	(For dimensions see catalogue 17.000)	S 70/2
Max. flow	(l/min.)	360
Max. inlet pressure	(bar)	350
Max. pressure on line 2	(bar)	350
Fluid viscosity range	(cSt)	2.8 - 380
Fluid temperature range	(°C)	-20 +80
Mass	(kg)	1.100
Cracking pressure 95% of setting value		
Reseat pressure 75% of setting value		
Cracking pressure defined with 1 l/min.		
Standard setting obtained with 10 l/min.		
Hydraulic fluid; mineral oil HM and HV ISO 6074		
Recommended filtration; 19/15 ISO 4466 (25 μ absolutes)		
Standard seals in Polyurethane and Buna N		

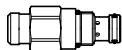
Dimensions



Ordering informations

LPB 70/D-N

LPB 70 = Valve type



Standard springs

Type	Setting range	Factory set
U	= 10 - 105 bar	70 bar
D	= 70 - 210 bar	140 bar
T	= 140 - 350 bar	280 bar

Adjustment type

N = Standard adjustment



Codes:

LPB 70/U-N	71 011 118
LPB 70/D-N	71 011 119
LPB 70/T-N	71 011 120

External seals kit 90 620 106

LPB 70 valves can be assembled on standard bodies 70-LO series; for dimensions see catalogue 16.010