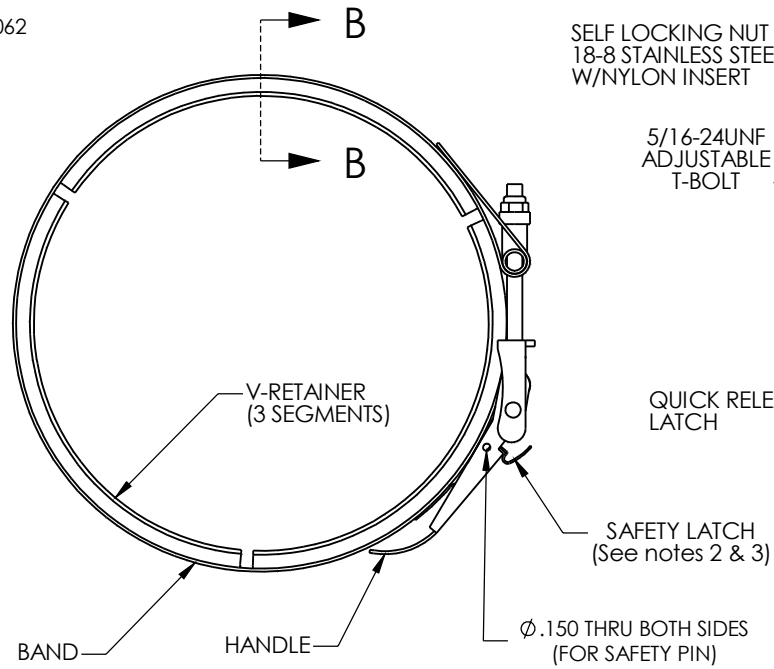


SECTION B-B
V-RETAINER &
BAND DETAIL
SCALE 1:2.5



SELF LOCKING NUT
18-8 STAINLESS STEEL
W/NYLON INSERT

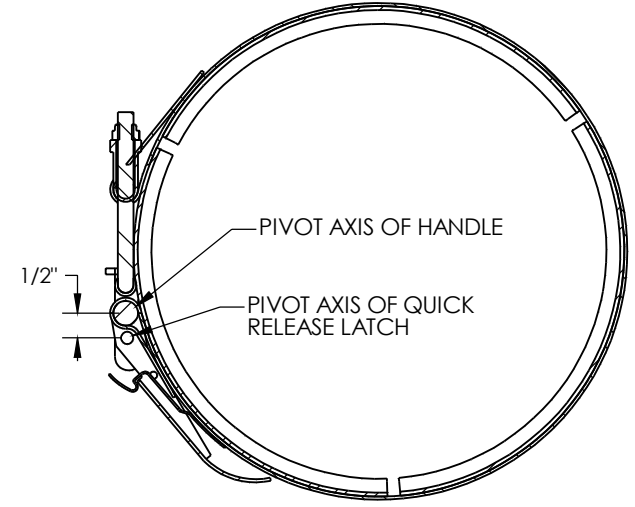
5/16-24UNF
ADJUSTABLE
T-BOLT

QUICK RELEASE
LATCH

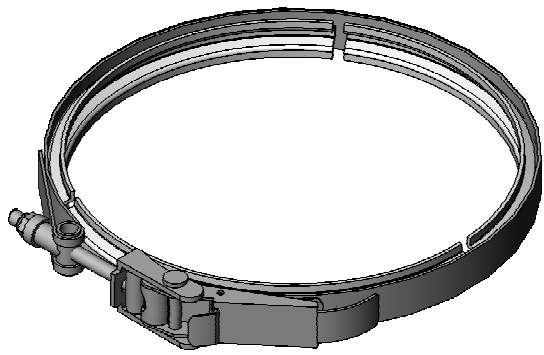
SAFETY LATCH
(See notes 2 & 3)

Ø .150 THRU BOTH SIDES
(FOR SAFETY PIN)

REVISIONS			
REV.	DESCRIPTION	DATE	APPROVED
—	ORIGINATED	3/28/02	JRL



SECTION A-A
SCALE 1:2.5



MATERIAL: ALL PARTS TO BE
300 SERIES STAINLESS STEEL
UNLESS OTHERWISE SPECIFIED

PURCHASE SPECIFICATION				P/N: BC-03		
DRAWN	4/15/04	G.Hoffman	TITLE			
CHECKED			Clamp, V-Band, 9.75"			
ENG APPR.						
MFG APPR.						
Q.A.			SIZE B	SHEET 1 OF 1	ENG P/N PS00002	REV. —
MILLER-LEAMAN INC. 800 Orange Ave. Daytona Beach FL 32114						