

Valmet Dual Conductivity Measurement

3200



Measurements for demanding applications

Rugged housing with shatter-proof glass window.

New graphical display showing sensor channel, conductivity, units, temperature, and alarm status.

When using two measurement channels, the TCU can show results from two sensors at the same time.

Wholly new intuitive software for easy operation.

Password-protected programming.

Sensor calibration from the keyboard.

Built-in cable compensation ensures accurate measurement with sensor cables up to 50 m.

• Rugged • Accurate • Reliable

- No maintenance
- Long life
- Dual sensor input
- 4-electrode measuring principle
- Automatic scaling compensations
- 13 preprogrammed temperature compensations
- Wide sensor assortment for all applications
- Low installation costs

Specifications

Conductivity set-up:

Range 0 $\mu\text{S}/\text{cm}$ to 1 S/cm (0 $\mu\text{S}/\text{m}$ to 100 S/m)

Temperature compensation: Off, ultrapure water (neutral, acid, alkaline, ammonia), weak lye, acids and STD salt

Resistivity range: 100 Ωcm – infinite

Cable compensation: Error +0.3 nS/cm per meter of cable, for cable up to 50 m

Output: Two current outputs 4–20 mA for conductivity or temperature

Temperature measurement: From -40 to $+250$ $^{\circ}\text{C}$

Sampling rate: 0.6 seconds (single channel)
1.2 seconds (dual channel)

Graphical display: LCD with backlight
Power supply 24 V AC/DC

Sensor connection: Series 4600/4700 sensors with 15-pole strip connector and MF20 cable adaptor

Enclosure

Material: Cast aluminium, PE coated

Protection: IP67

Dimensions: 144 x 144 x 107 mm

Mounting: Panel, wall or pipe

Ambient temperature: From -10°C to $+60^{\circ}\text{C}$, no condensation

Storage temperature: From -20°C to $+70^{\circ}\text{C}$

Weight: 2.3 kg

Wall mounting, line power:	3217H
Wall mounting, 24V power:	3227H
Panel mounting, line power:	3218H
Panel mounting, 24V power:	3228H
Power supply:	Line powered 90–260 VAC, 6 VA
Alarm:	Two relays, 250 V AC, 8 A

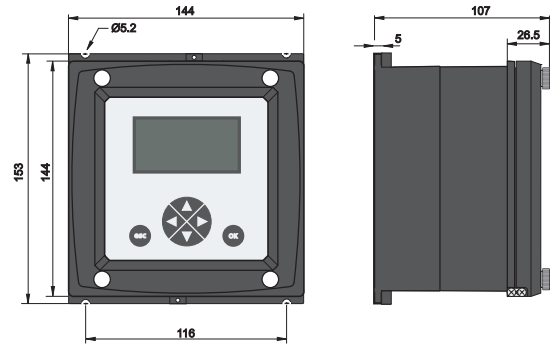
Sensors for serie 3200

Series 4700 Industrial applications

Series 4600 Sanitary applications

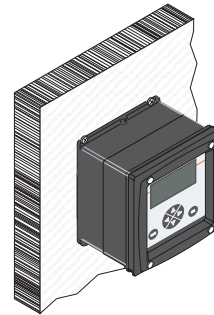
Old series 9100 and 9200 can be used as well

Dimensions in mm

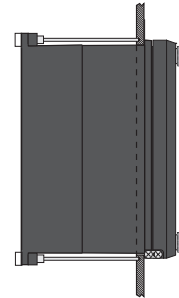


Mounting options

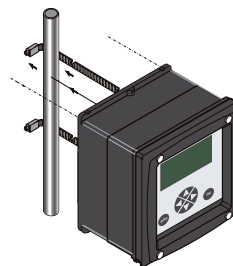
Wall



Panel



Pipe



Pipe mounting kits

Type No.	For pipe dimension
4902 a	25-38 mm
b	35-52 mm
c	50-73 mm
d	72-94 mm
e	82-114 mm