

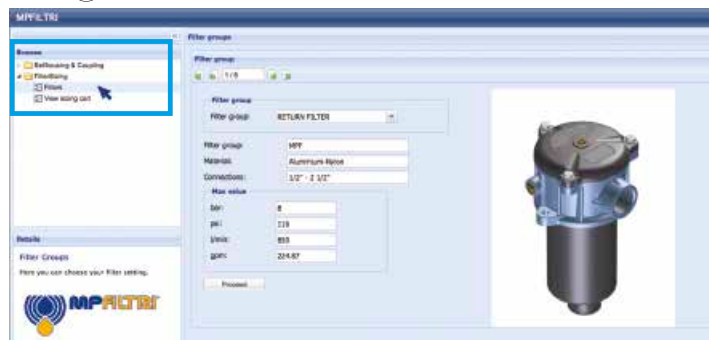
MPF series

Maximum working pressure up to 800 kPa (8 bar) - Flow rate up to 900 l/min

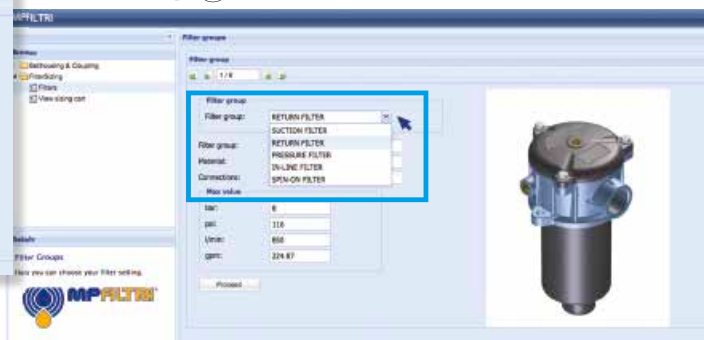


TYPICAL FILTER SIZING Selection Software

Step 1 Select "FILTERS"



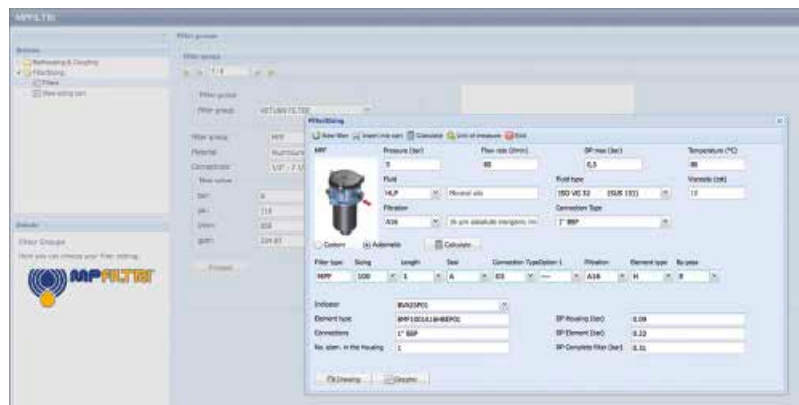
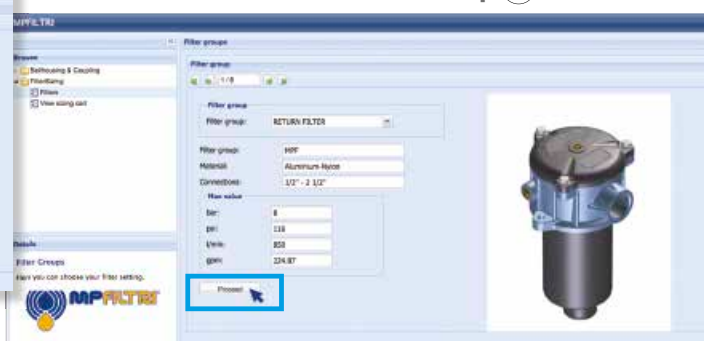
Step 2 Choose filter group (Return Filter, Pressure Filter, etc.)



Step 3 Choose filter type (MPF, MPT, etc.) in function of the max working pressure and the max flow rate



Step 4 Push "PROCEED"



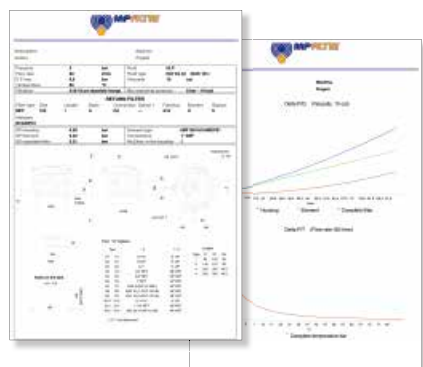
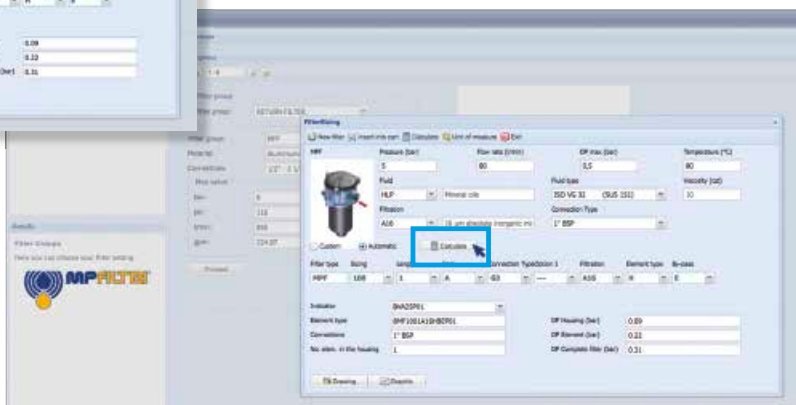
Step 5

Insert all application data to calculate the filter size following the sequence:

- working pressure
- working flow rate
- working pressure drop
- working temperature
- fluid material and fluid type
- filtration media
- connection type

Step 6

Push "CALCULATE" to have result; in case of any mistake, the system will advice which parameter is out of range to allow to modify/adjust the selection



Step 7

Download PDF Datasheet "Report.aspx" pushing the button "Drawing"



Description

Technical data

Return filter

Maximum working pressure up to 800 kPa (8 bar)

Flow rate up to 900 l/min

MPF is a range of return filters for protection of the reservoir against the system contamination.

They are directly fixed to the reservoir, in immersed or semi-immersed position.

The filter output must be always immersed into the fluid to avoid aeration or foam generation into the reservoir.

Available features:

- Female threaded connections up to 2" and flanged connections up to 2", for a maximum flow rate of 750 l/min
- Multiple connections, to connect several return lines or drains
- Fine filtration rating, to get a good cleanliness level into the reservoir
- Bypass valve integrated into the filter element, to relieve excessive pressure drop across the filter media
- 2, 3 or 4 fixing holes for installation, to suit a variety of reservoir surfaces
- O-ring or Flat Seal to suit a variety of reservoir surfaces
- Oil dipstick, to easily check the level of the fluid into the reservoir (sold as separate item)
- Extension tube, to be used in deep reservoirs (sold as separate item)
- Diffuser, to reduce the risk of aeration, foaming and noise (sold as separate item)
- Filler plug, to fill cleaned fluid into the tank without an additional connection
- Visual, electrical and electronic clogging indicators

Common applications:

- Light industrial equipment
- Mobile application

Filter housing materials

- Head: Aluminium
- Cover
Nylon: MPF 020-030-100-104-110
Aluminium: MPF 181-182-184-191-192-194-400-410-450-451-750
- Bowl: Nylon

Bypass valve

- Opening pressure 175 kPa (1.75 bar) ±10%
- Opening pressure 300 kPa (3 bar) ±10%

Δp element type

- Microfibre filter elements - series H: 10 bar
- Fluid flow through the filter element from OUT to IN

Seals

- Standard NBR series A
- Optional FPM series V

Temperature

From -25 °C to +110 °C

Note

MPF filters are provided for vertical mounting



Weights [kg] and volumes [dm³]

Filter series	Weights [kg]				Volumes [dm ³]					
	Length	1	2	3	4	Length	1	2	3	4
MPF 020		0.30	-	-	-		0.26	-	-	-
MPF 030		0.40	-	-	-		0.29	-	-	-
MPF 100		0.61	0.64	0.67	0.74		0.64	0.85	1.20	1.65
MPF 104		0.82	0.96	1.02	1.25		0.64	0.85	1.20	1.65
MPF 110		0.64	0.68	0.71	0.78		-	-	-	-
MPF 181		2.20	3.00	-	-		2.50	4.00	-	-
MPF 182		2.30	3.10	-	-		2.50	4.00	-	-
MPF 184		2.55	3.45	-	-		2.65	4.45	-	-
MPF 191		-	3.00	-	-		-	4.25	-	-
MPF 192		-	3.10	-	-		-	4.25	-	-
MPF 194		-	3.45	-	-		-	4.45	-	-
MPF 400		3.35	3.65	3.90	-		3.70	4.60	5.40	-
MPF 410		3.55	3.85	4.10	-		3.70	4.60	5.40	-
MPF 450-451		3.95	4.25	4.50	-		3.70	4.60	5.40	-
MPF 750		6.30	-	-	-		8.45	-	-	-

Filter series	Length	Filter element design - H series					Filter element design - N series		
		A03	A06	A10	A16	A25	M25 M60 M90	P10	P25
MPF 020	1	7	10	23	28	42	59	51	54
MPF 030	1	7	10	24	29	47	84	60	66
MPF 100-104-110	1	18	20	53	56	65	153	87	96
	2	28	38	65	75	95	158	111	123
	3	48	55	125	135	169	289	224	251
	4	79	89	180	185	198	306	264	289
MPF 181-182-184	1	127	148	235	243	278	441	285	299
	2	231	262	358	382	388	472	404	412
MPF 191-192-194	2	261	305	489	528	546	696	583	598
MPF 400	1	150	171	294	304	350	585	370	390
	2	237	252	454	462	589	868	619	645
	3	248	288	553	609	621	885	680	703
MPF 410	1	146	167	277	285	325	512	341	357
	2	226	239	396	402	485	644	503	519
	3	236	269	462	497	505	653	539	553
MPF 450-451	1	150	171	294	304	350	585	370	390
	2	237	252	454	462	589	868	619	645
	3	248	288	553	609	621	885	680	703
MPF 750	1	392	465	623	700	769	929	804	819

Maximum flow rate for a complete return filter with a pressure drop $\Delta p = 0.5$ bar.

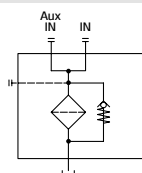
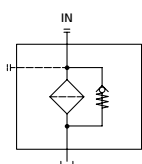
The reference fluid has a kinematic viscosity of 30 mm²/s (cSt) and a density of 0.86 kg/dm³.

For different pressure drop or fluid viscosity we recommend to use our selection software available on www.mpfiltri.com.

You can also calculate the right size using the formulas present on the FILTER SIZING paragraph at the beginning of the full catalogue or at the beginning of the filter family brochure. Please, contact our Sales Department for further additional information.

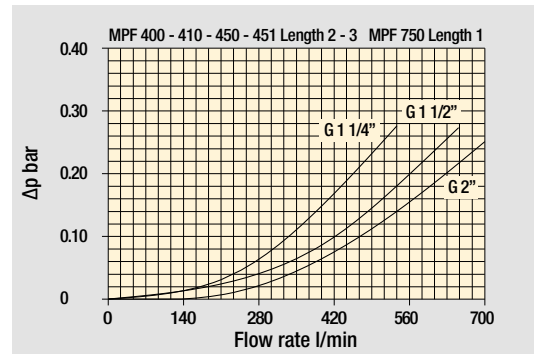
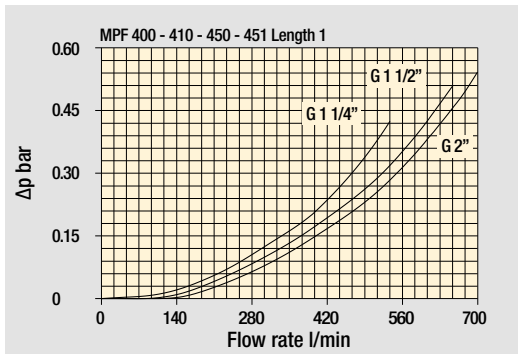
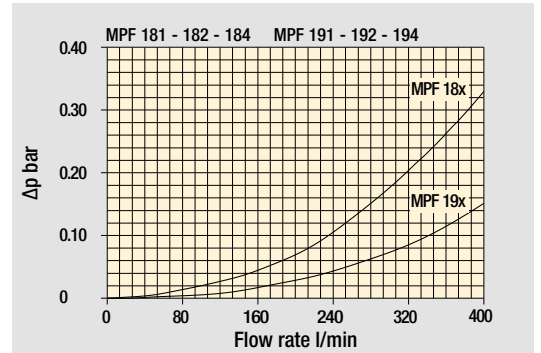
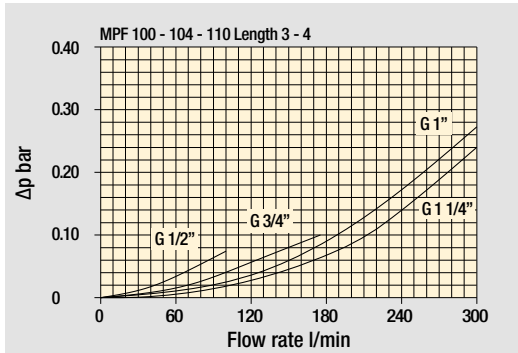
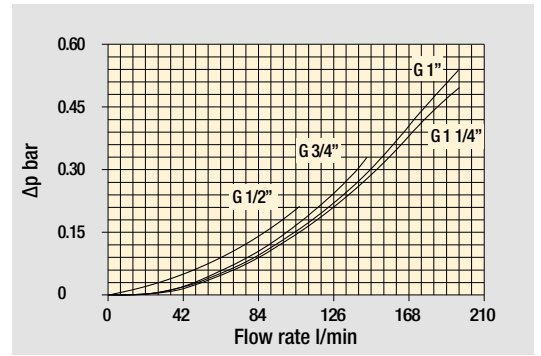
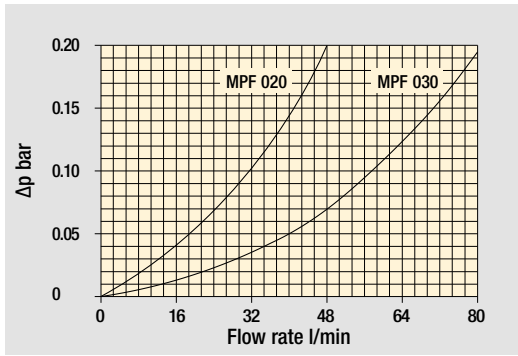
Hydraulic symbols

Filter series	Style 1 connection	Style 2 connections
MPF 020	•	
MPF 030	•	
MPF 100	•	
MPF 104	•	
MPF 110		•
MPF 181	•	
MPF 182		•
MPF 184	•	•
MPF 191	•	
MPF 192	•	
MPF 194	•	•
MPF 400	•	
MPF 410		•
MPF 450	•	
MPF 451		•
MPF 750	•	

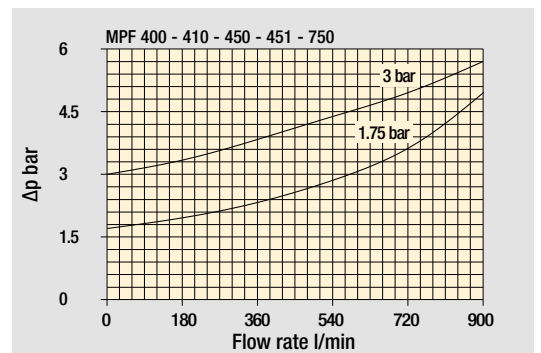
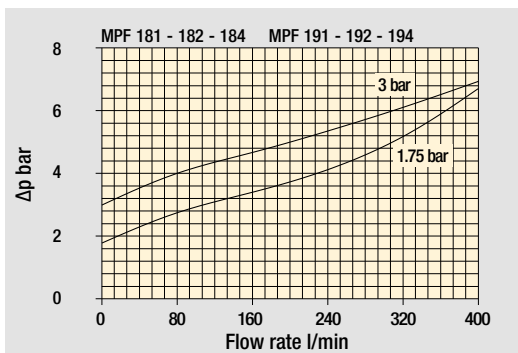
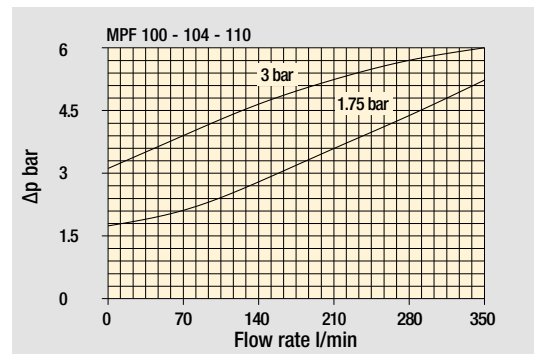
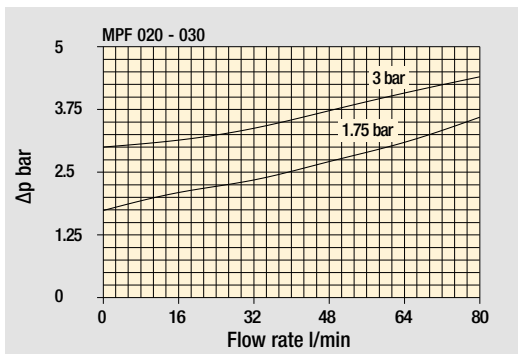


Pressure drop

Filter housings Δp pressure drop



Bypass valve pressure drop

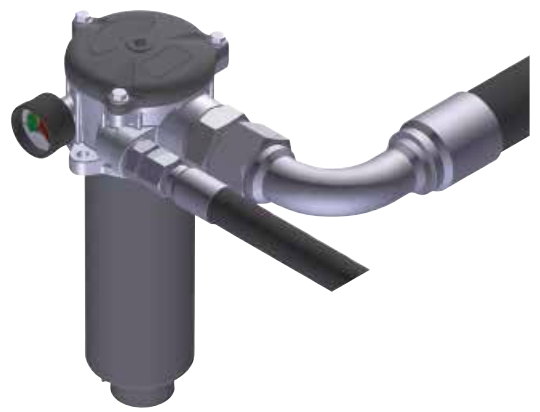


The curves are plotted using mineral oil with density of 0.86 kg/dm³ in compliance with ISO 3968. Δp varies proportionally with density.

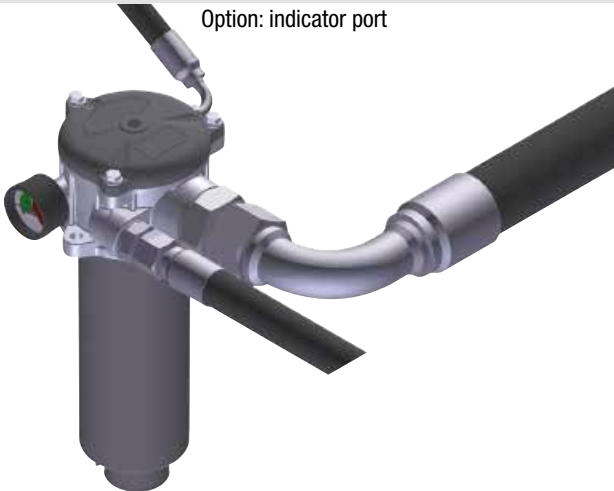
Standard - Single IN port



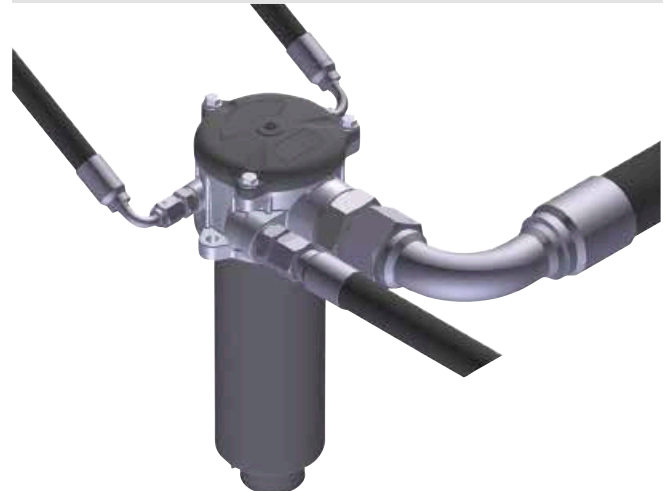
Double IN port
Option: double indicator port



Double IN port - Drain port
Option: indicator port



Double IN port - Double drain port



MPF MPF020 - MPF030

Designation & Ordering code

COMPLETE FILTER

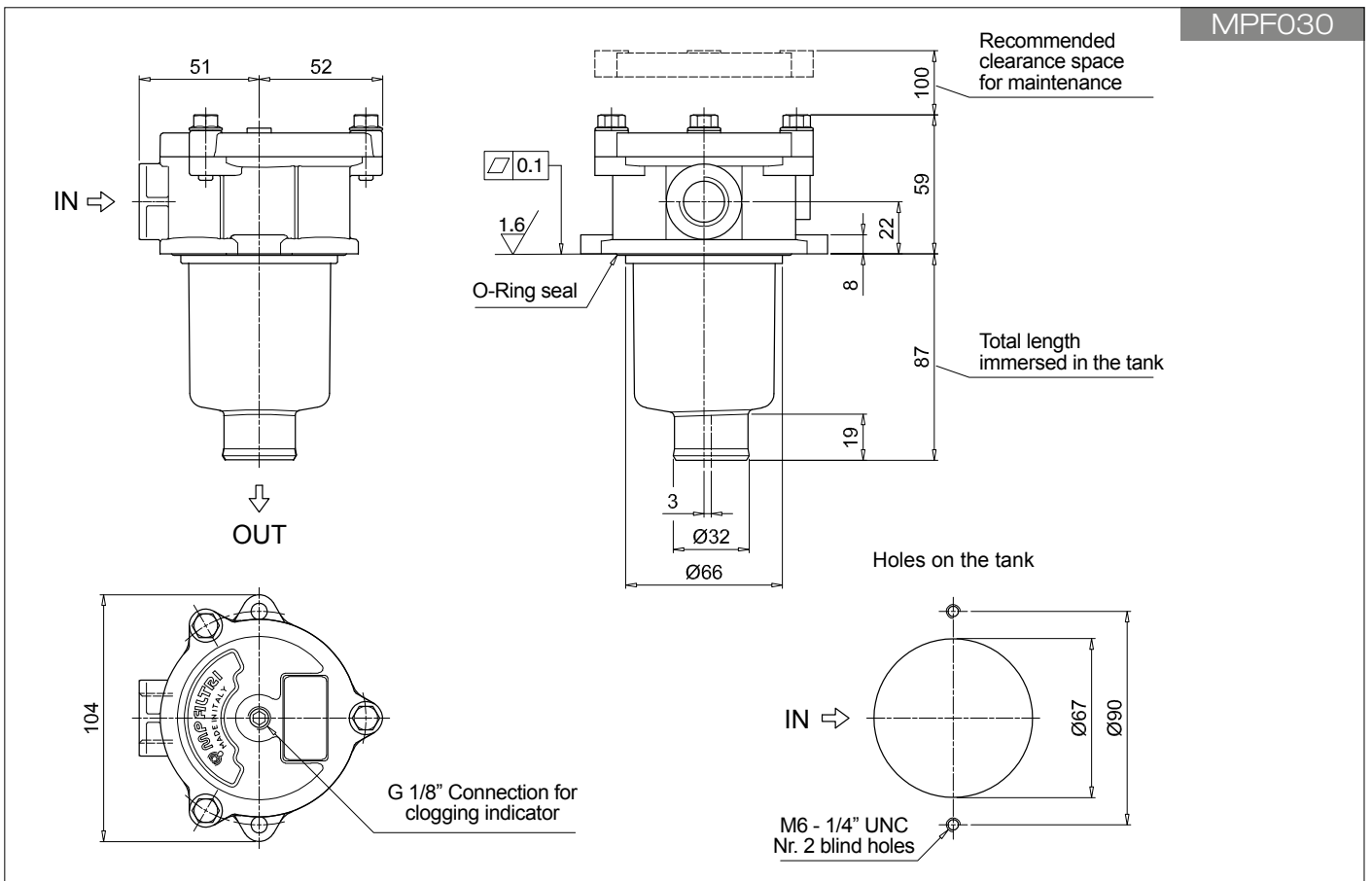
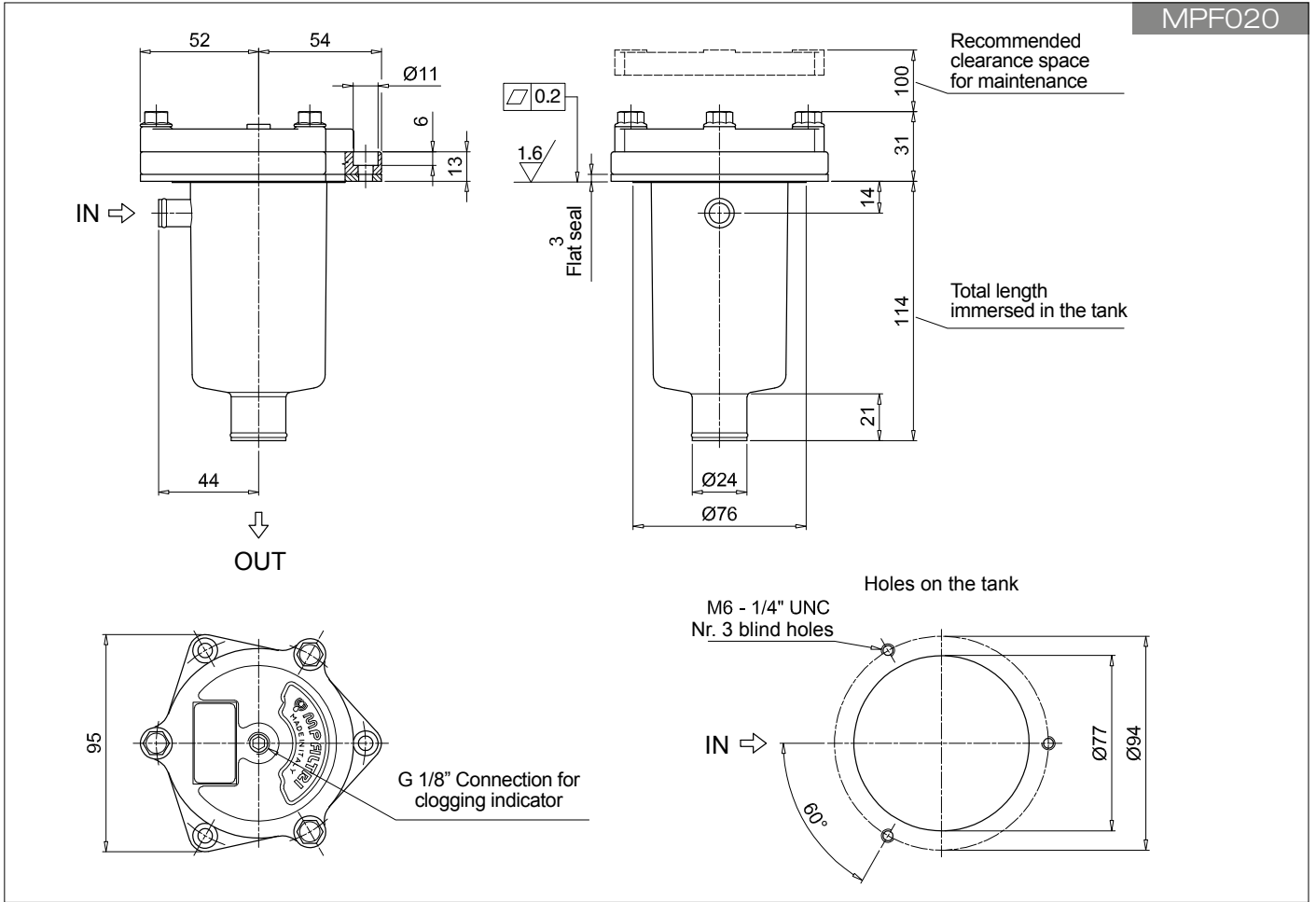
Series and size	Configuration example 1:	MPF020	1	A	P1	A10	H	E	P01
MPF020 MPF030 Filter element with standard spigot	Configuration example 2:	MPF030	1	V	G1	M25	N	B	P01
Length									
1									
Seals and treatments									
A NBR									
V FPM									
W NBR head anodized									
Z FPM head anodized									
Connections	Size 20	Size 30							
P1 Hose barb ø12	•								
G1 G 1/2"		•							
G4 1/2" NPT		•							
G7 SAE 8 - 3/4" - 16 UNF		•							
Filtration rating (filter media)									
A03 Inorganic microfiber 3 µm									
A06 Inorganic microfiber 6 µm									
A10 Inorganic microfiber 10 µm									
A16 Inorganic microfiber 16 µm									
A25 Inorganic microfiber 25 µm									
M25 Wire mesh 25 µm									
M60 Wire mesh 60 µm									
M90 Wire mesh 90 µm									
P10 Resin impregnated paper 10 µm									
P25 Resin impregnated paper 25 µm									
Element Δp	Filter media								
	Axx	Mxx	Pxx						
N 10 bar		•	•						
H 10 bar	•								
W 10 bar, compatible with fluids HFA, HFB and HFC	•	•							
				Bypass valve	Execution				
				E 3 bar	P01 MP Filtri standard				
				B 1.75 bar	Pxx Customized				

FILTER ELEMENT

Element series and size	Configuration example 1:	MF030	1	A10	H	B	E	P01
MF030 Filter element with standard spigot	Configuration example 2:	MF030	1	M25	N	V		P01
Element length								
1								
Filtration rating (filter media)								
A03 Inorganic microfiber 3 µm								
A06 Inorganic microfiber 6 µm								
A10 Inorganic microfiber 10 µm								
A16 Inorganic microfiber 16 µm								
A25 Inorganic microfiber 25 µm								
M25 Wire mesh 25 µm								
M60 Wire mesh 60 µm								
M90 Wire mesh 90 µm								
P10 Resin impregnated paper 10 µm								
P25 Resin impregnated paper 25 µm								
Element Δp	Filter media							
	Axx	Mxx	Pxx					
N 10 bar		•	•					
H 10 bar	•							
W 10 bar, compatible with fluids HFA, HFB and HFC	•	•						
			Seals	Bypass valve		Execution		
			B NBR	E 3 bar		P01 MP Filtri standard		
			V FPM	1.75 bar		Pxx Customized		

ACCESSORIES

Indicators	page		page
BVA Axial pressure gauge	240	BEA Electrical pressure indicator	239
BVR Radial pressure gauge	240	BEM Electrical pressure indicator	239
BVP Visual pressure indicator with automatic reset	241	BLA Electrical / visual pressure indicator	239-240
BVQ Visual pressure indicator with manual reset	241		
Additional features	page		
TE Extension tube	248		
T5 Filler plug M30x1.5	249		



MPF MPF100 - MPF104

Designation & Ordering code

COMPLETE FILTER

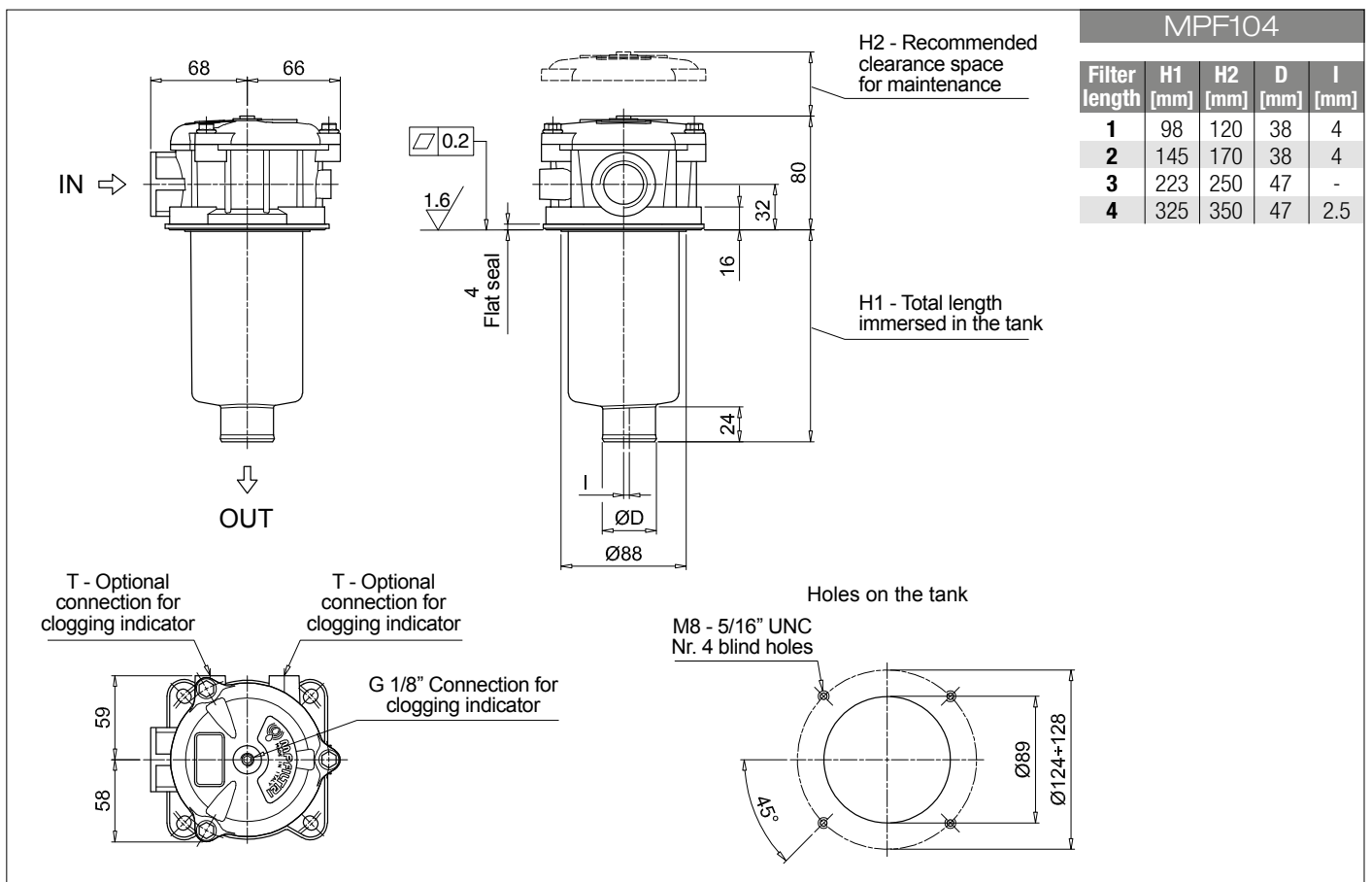
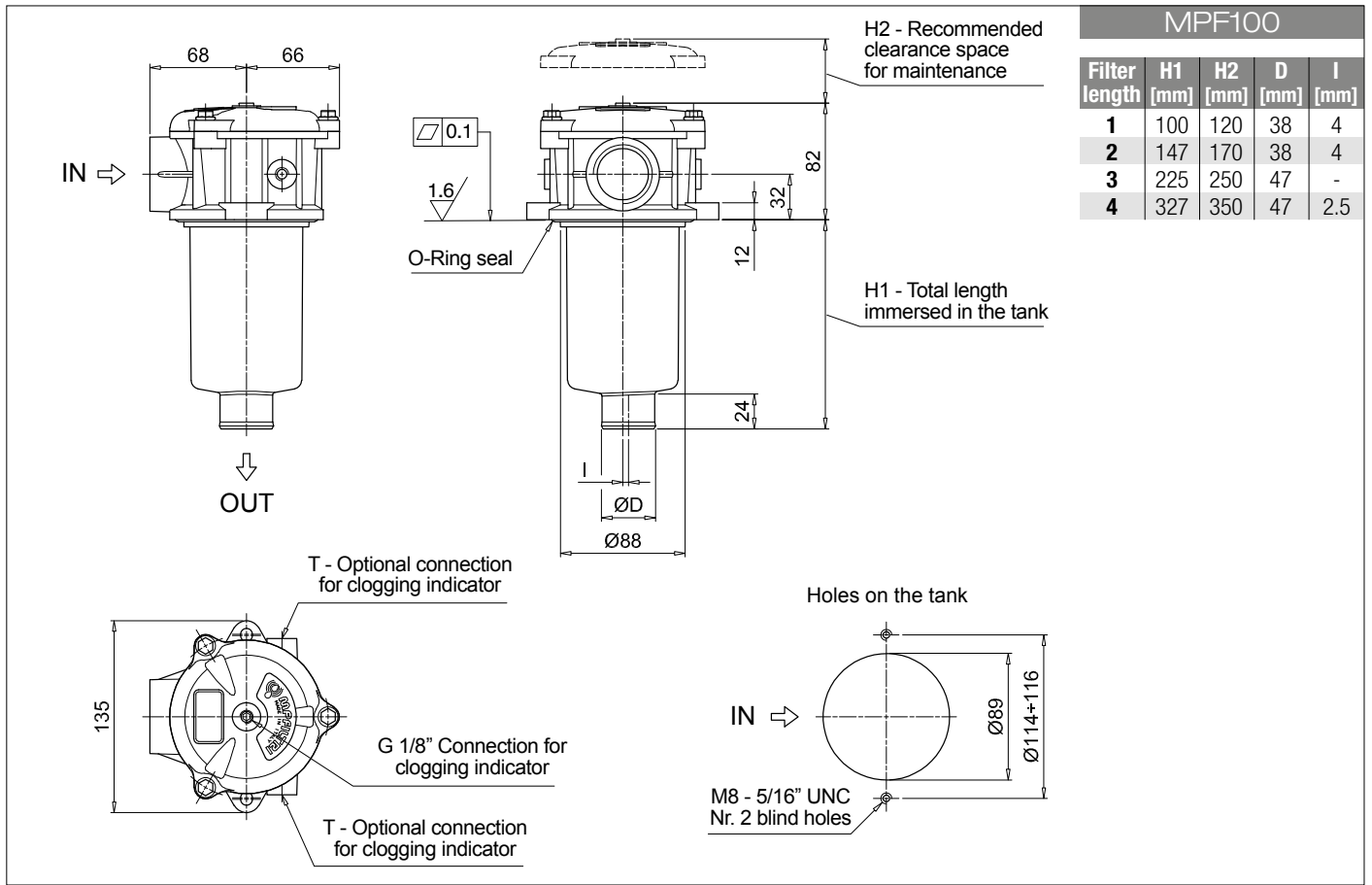
Series and size		Configuration example 1: MPF100 2 W G3 A06 W B P01									
MPF100 MPF104 Filter element with standard spigot		Configuration example 2: MPF104 4 A G8 P10 N E P01									
Length											
1 2 3 4											
Seals and treatments											
A NBR											
V FPM											
W NBR head anodized											
Z FPM head anodized											
Connections		Size 100		Size 104		Connections		Size 100		Size 104	
G1 G 1/2"		•		•		G7 SAE 8 - 3/4" - 16 UNF		•		•	
G2 G 3/4"		•		•		G8 SAE 12 - 1 1/16" - 12 UN		•		•	
G3 G 1"		•		•		G9 SAE 16 - 1 5/16" - 12 UN		•		•	
G4 1/2" NPT		•		•							
G5 3/4" NPT		•		•							
G6 1" NPT		•		•							
Filtration rating (filter media)											
A03 Inorganic microfiber 3 µm		M25 Wire mesh 25 µm									
A06 Inorganic microfiber 6 µm		M60 Wire mesh 60 µm									
A10 Inorganic microfiber 10 µm		M90 Wire mesh 90 µm									
A16 Inorganic microfiber 16 µm		P10 Resin impregnated paper 10 µm									
A25 Inorganic microfiber 25 µm		P25 Resin impregnated paper 25 µm									
Element Δp				Filter media							
N 10 bar		Axx		Mxx		Pxx					
H 10 bar		•		•		•					
W 10 bar, compatible with fluids HFA, HFB and HFC		•		•		•					
								Bypass valve		Execution	
								E 3 bar		P01 MP Filtri standard	
								B 1.75 bar		Pxx Customized	

FILTER ELEMENT

Element series and size		Configuration example 1: MF100 2 A06 W B P01									
MF100 Filter element with standard spigot		Configuration example 2: MF100 4 P10 N B E P01									
Element length											
1 2 3 4											
Filtration rating (filter media)											
A03 Inorganic microfiber 3 µm		M25 Wire mesh 25 µm									
A06 Inorganic microfiber 6 µm		M60 Wire mesh 60 µm									
A10 Inorganic microfiber 10 µm		M90 Wire mesh 90 µm									
A16 Inorganic microfiber 16 µm		P10 Resin impregnated paper 10 µm									
A25 Inorganic microfiber 25 µm		P25 Resin impregnated paper 25 µm									
Element Δp				Filter media							
N 10 bar		Axx		Mxx		Pxx					
H 10 bar		•		•		•					
W 10 bar, compatible with fluids HFA, HFB and HFC		•		•		•					
								Seals		Bypass valve	
								B NBR		E 3 bar	
								V FPM		1.75 bar	
										Execution	
										P01 MP Filtri standard	
										Pxx Customized	

ACCESSORIES

Indicators		page		page	
BVA Axial pressure gauge	240	BEA Electrical pressure indicator	239		
BVR Radial pressure gauge	240	BEM Electrical pressure indicator	239		
BVP Visual pressure indicator with automatic reset	241	BLA Electrical / visual pressure indicator	239-240		
BVQ Visual pressure indicator with manual reset	241				
Additional features		page		page	
TE Extension tube	248	T5 Filler plug M30x1.5	249		
DFS Diffuser with fast lock connection	249	DPT Dipstick	249		



Designation & Ordering code

COMPLETE FILTER

Series and size	Configuration example 1:	MPF110	2	A	G2	1	A16	H	E	P01
MPF110 Filter element with standard spigot	Configuration example 2:	MPF110	4	V	G12	1	M60	N	B	P01

Length				
1 2 3 4				

Seals and treatments			
A NBR	W NBR head anodized		
V FPM	Z FPM head anodized		

Main Connections	Aux size 1	Aux size 2	Main Connections	Aux size 1	Aux size 2
G1 G 1/2"	G 3/8"	G 1/2"	G7 SAE 8 - 3/4" - 16 UNF	SAE 6 - 9/16" - 18 UNF	SAE 8 - 3/4" - 16 UNF
G2 G 3/4"			G8 SAE 12 - 1 1/16" - 12 UN		
G3 G 1"			G9 SAE 16 - 1 5/16" - 12 UN		
G4 1/2" NPT	3/8" NPT	1/2" NPT	G10 G 1 1/4"	G 3/8"	G 1/2"
G5 3/4" NPT			G11 1 1/4" NPT	3/8" NPT	1/2" NPT
G6 1" NPT			G12 SAE 20 - 1 5/8" - 12 UN	SAE 6 - 9/16" - 18 UNF	SAE 8 - 3/4" - 16 UNF

Aux connection - see previous table	
1 Aux size 1	2 Aux size 2

Filtration rating (filter media)	
A03 Inorganic microfiber 3 µm	M25 Wire mesh 25 µm
A06 Inorganic microfiber 6 µm	M60 Wire mesh 60 µm
A10 Inorganic microfiber 10 µm	M90 Wire mesh 90 µm
A16 Inorganic microfiber 16 µm	P10 Resin impregnated paper 10 µm
A25 Inorganic microfiber 25 µm	P25 Resin impregnated paper 25 µm

Element Δp	Filter media		
	Axx	Mxx	Pxx
N 10 bar		•	•
H 10 bar	•		
W 10 bar, compatible with fluids HFA, HFB and HFC	•	•	

Bypass valve	Execution
E 3 bar	P01 MP Filtri standard
B 1.75 bar	Pxx Customized

FILTER ELEMENT

Element series and size	Configuration example 1:	MF100	2	A16	H	B	E	P01
MF100 Filter element with standard spigot	Configuration example 2:	MF100	4	M60	N	V		P01

Element length				
1 2 3 4				

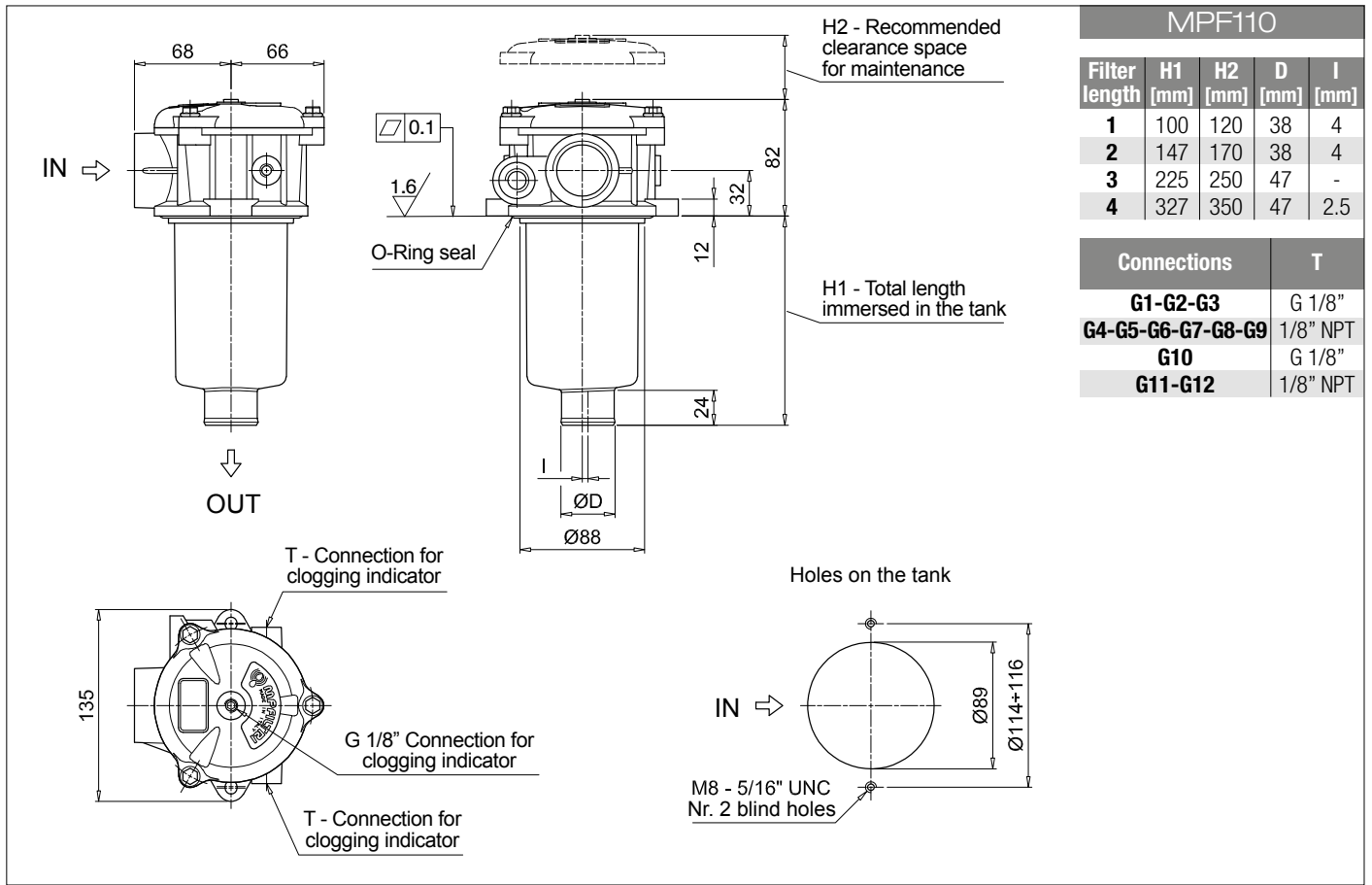
Filtration rating (filter media)	
A03 Inorganic microfiber 3 µm	M25 Wire mesh 25 µm
A06 Inorganic microfiber 6 µm	M60 Wire mesh 60 µm
A10 Inorganic microfiber 10 µm	M90 Wire mesh 90 µm
A16 Inorganic microfiber 16 µm	P10 Resin impregnated paper 10 µm
A25 Inorganic microfiber 25 µm	P25 Resin impregnated paper 25 µm

Element Δp	Filter media		
	Axx	Mxx	Pxx
N 10 bar		•	•
H 10 bar	•		
W 10 bar, compatible with fluids HFA, HFB and HFC	•	•	

Seals	Bypass valve	Execution
B NBR	E 3 bar	P01 MP Filtri standard
V FPM	1.75 bar	Pxx Customized

ACCESSORIES

Indicators	page		page
BVA Axial pressure gauge	240	BEA Electrical pressure indicator	239
BVR Radial pressure gauge	240	BEM Electrical pressure indicator	239
BVP Visual pressure indicator with automatic reset	241	BLA Electrical / visual pressure indicator	239-240
BVQ Visual pressure indicator with manual reset	241		
Additional features	page		page
TE Extension tube	248	T5 Filler plug M30x1.5	249
DFS Diffuser with fast lock connection	249	DPT Dipstick	249



MPF110				
Filter length	H1 [mm]	H2 [mm]	D [mm]	I [mm]
1	100	120	38	4
2	147	170	38	4
3	225	250	47	-
4	327	350	47	2.5

Connections	T
G1-G2-G3	G 1/8"
G4-G5-G6-G7-G8-G9	1/8" NPT
G10	G 1/8"
G11-G12	1/8" NPT

MPF MPF181 - MPF191

Designation & Ordering code

COMPLETE FILTER

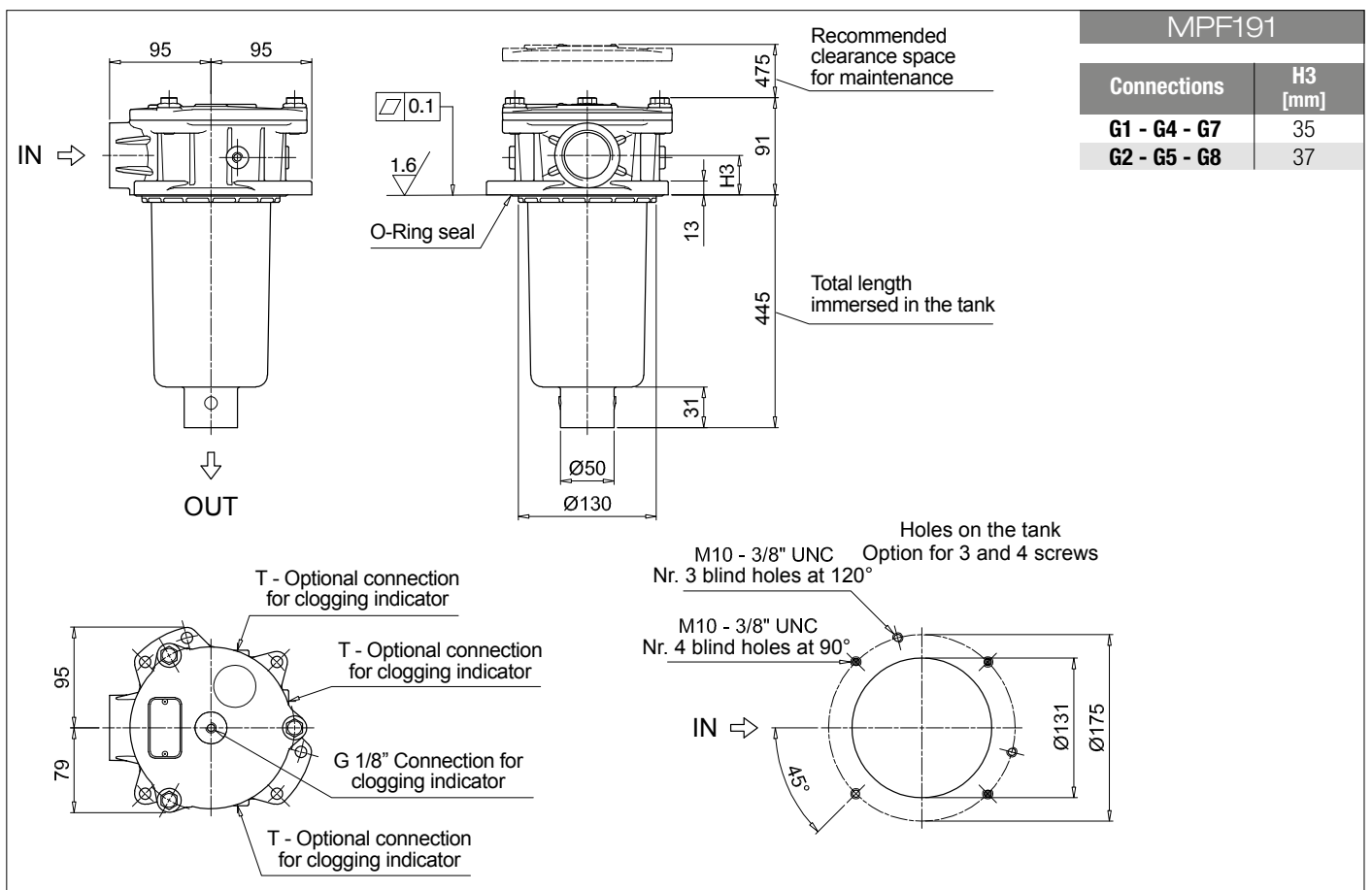
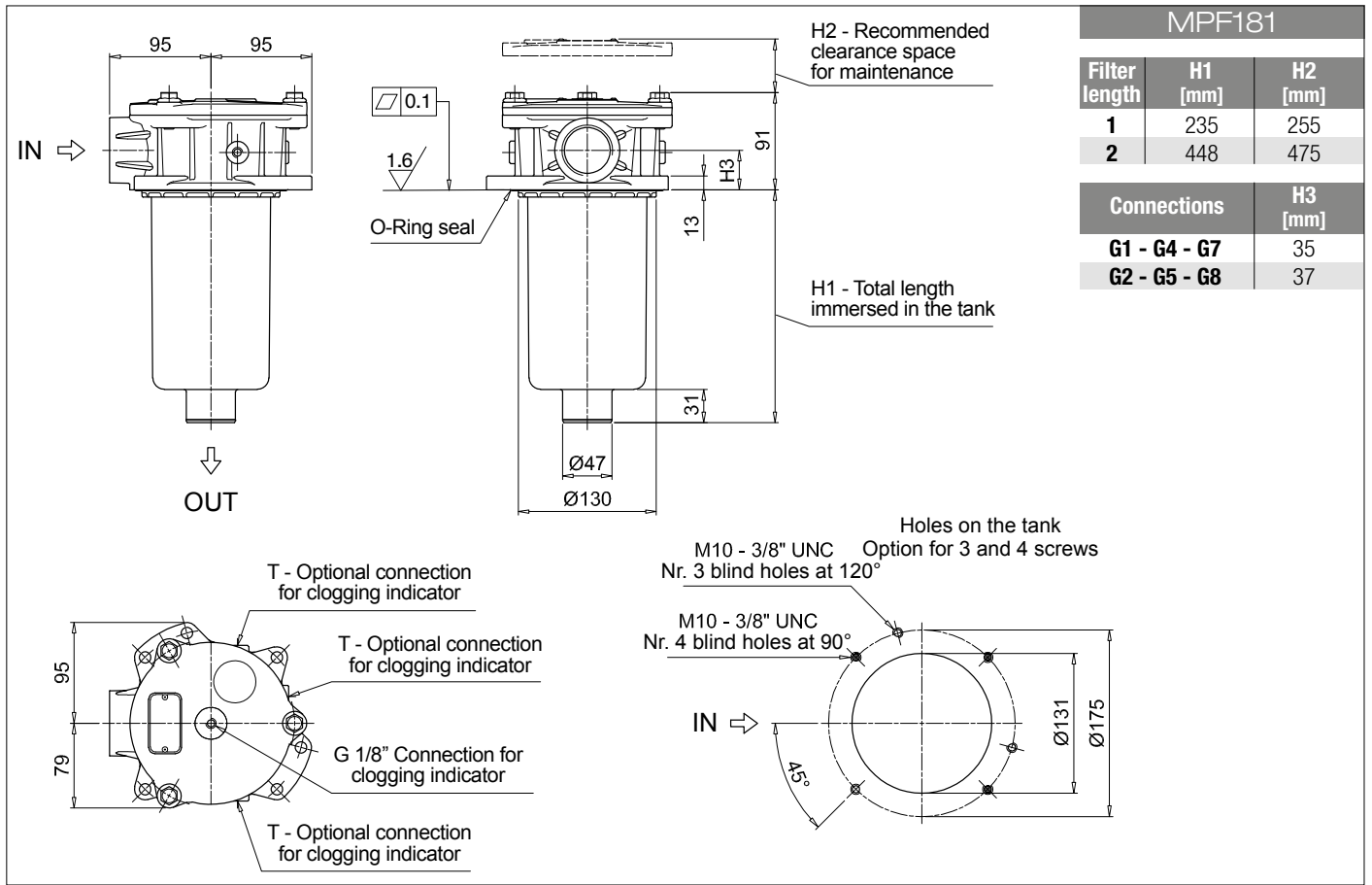
Series and size			Configuration example 1: MPF181 1 A G1 A25 H E P01								
MPF181 MPF191 Filter element with standard spigot			Configuration example 2: MPF191 2 V G2 P10 N B P01								
Length		Size 181	Size 191								
1		•									
2		•	•								
Seals and treatments											
A NBR	B NBR flat seal on head										
V FPM	D FPM flat seal on head										
W NBR head anodized	L NBR head anodized, flat seal on head										
Z FPM head anodized	M FPM head anodized, flat seal on head										
Connections											
G1 G 1 1/4"	G5 1 1/2" NPT										
G2 G 1 1/2"	G7 SAE 20 - 1 5/8" - 12 UN										
G4 1 1/4" NPT	G8 SAE 24 - 1 7/8" - 12 UN										
Filtration rating (filter media)											
A03 Inorganic microfiber 3 µm	M25 Wire mesh 25 µm										
A06 Inorganic microfiber 6 µm	M60 Wire mesh 60 µm										
A10 Inorganic microfiber 10 µm	M90 Wire mesh 90 µm										
A16 Inorganic microfiber 16 µm	P10 Resin impregnated paper 10 µm										
A25 Inorganic microfiber 25 µm	P25 Resin impregnated paper 25 µm										
			Filter media								
Element Δp	Axx	Mxx	Pxx								
N 10 bar		•	•								
H 10 bar		•									
W 10 bar, compatible with fluids HFA, HFB and HFC	•	•									
			Bypass valve		Execution						
			E 3 bar		P01 MP Filtri standard						
			B 1.75 bar		Pxx Customized						

FILTER ELEMENT

Element series and size			Configuration example 1: MF180 1 A25 H B E P01								
MF180 MF190 Filter element with standard spigot			Configuration example 2: MF190 2 P10 N V P01								
Element length		Size 180	Size 190								
1		•									
2		•	•								
Filtration rating (filter media)											
A03 Inorganic microfiber 3 µm	M25 Wire mesh 25 µm										
A06 Inorganic microfiber 6 µm	M60 Wire mesh 60 µm										
A10 Inorganic microfiber 10 µm	M90 Wire mesh 90 µm										
A16 Inorganic microfiber 16 µm	P10 Resin impregnated paper 10 µm										
A25 Inorganic microfiber 25 µm	P25 Resin impregnated paper 25 µm										
			Filter media								
Element Δp	Axx	Mxx	Pxx								
N 10 bar		•	•								
H 10 bar		•									
W 10 bar, compatible with fluids HFA, HFB and HFC	•	•									
			Seals		Bypass valve		Execution				
			B NBR		E 3 bar		P01 MP Filtri standard				
			V FPM		 1.75 bar		Pxx Customized				

ACCESSORIES

Indicators		page			page
BVA Axial pressure gauge	240		BEA Electrical pressure indicator	239	
BVR Radial pressure gauge	240		BEM Electrical pressure indicator	239	
BVP Visual pressure indicator with automatic reset	241		BLA Electrical / visual pressure indicator	239-240	
BVQ Visual pressure indicator with manual reset	241				
Additional features		page			
TE Extension tube	248				
Sxx Extension tube	248				
T5 Filler plug M30x1.5	249				



MPF MPF182 - MPF192

Designation & Ordering code

COMPLETE FILTER

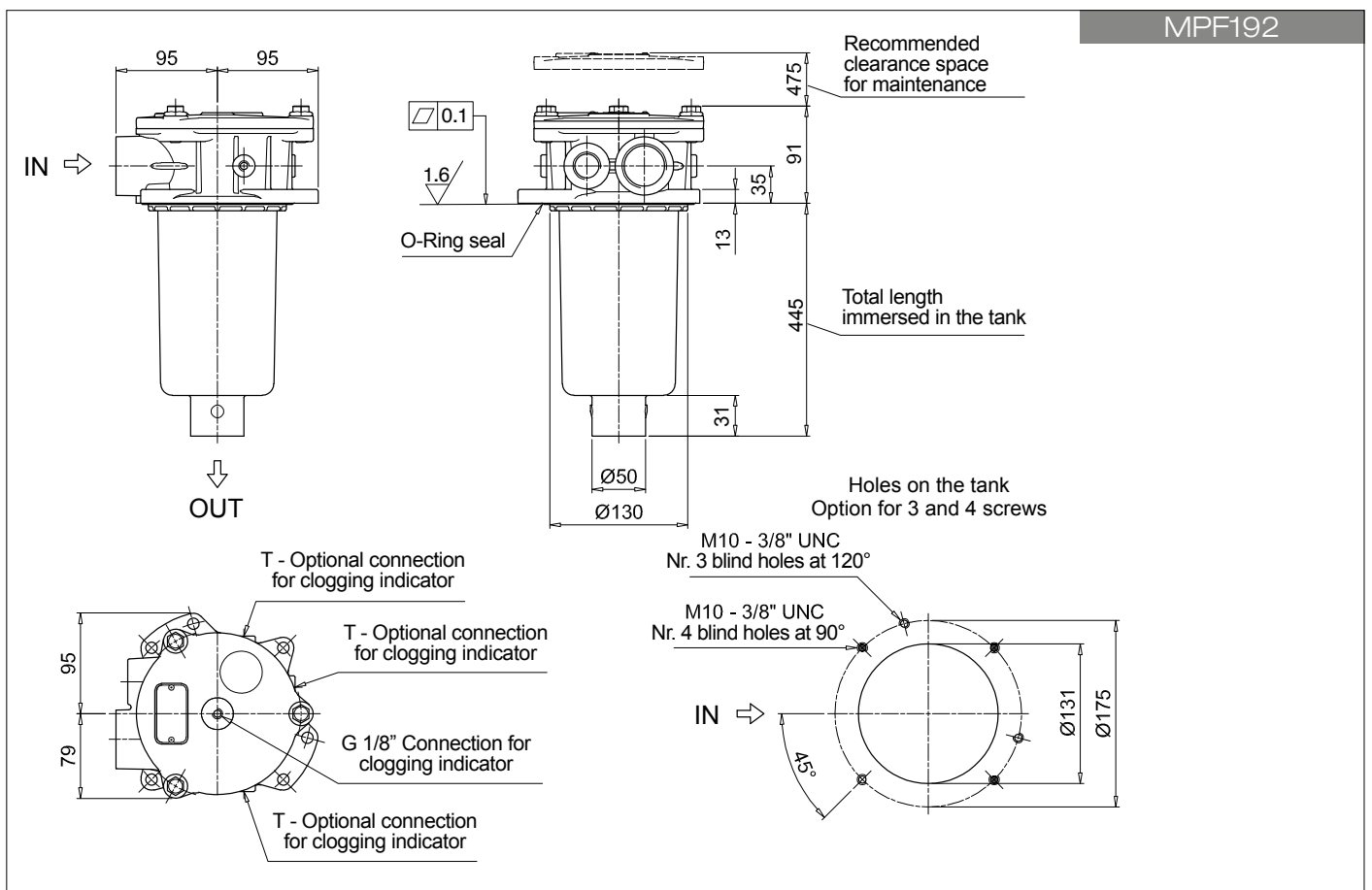
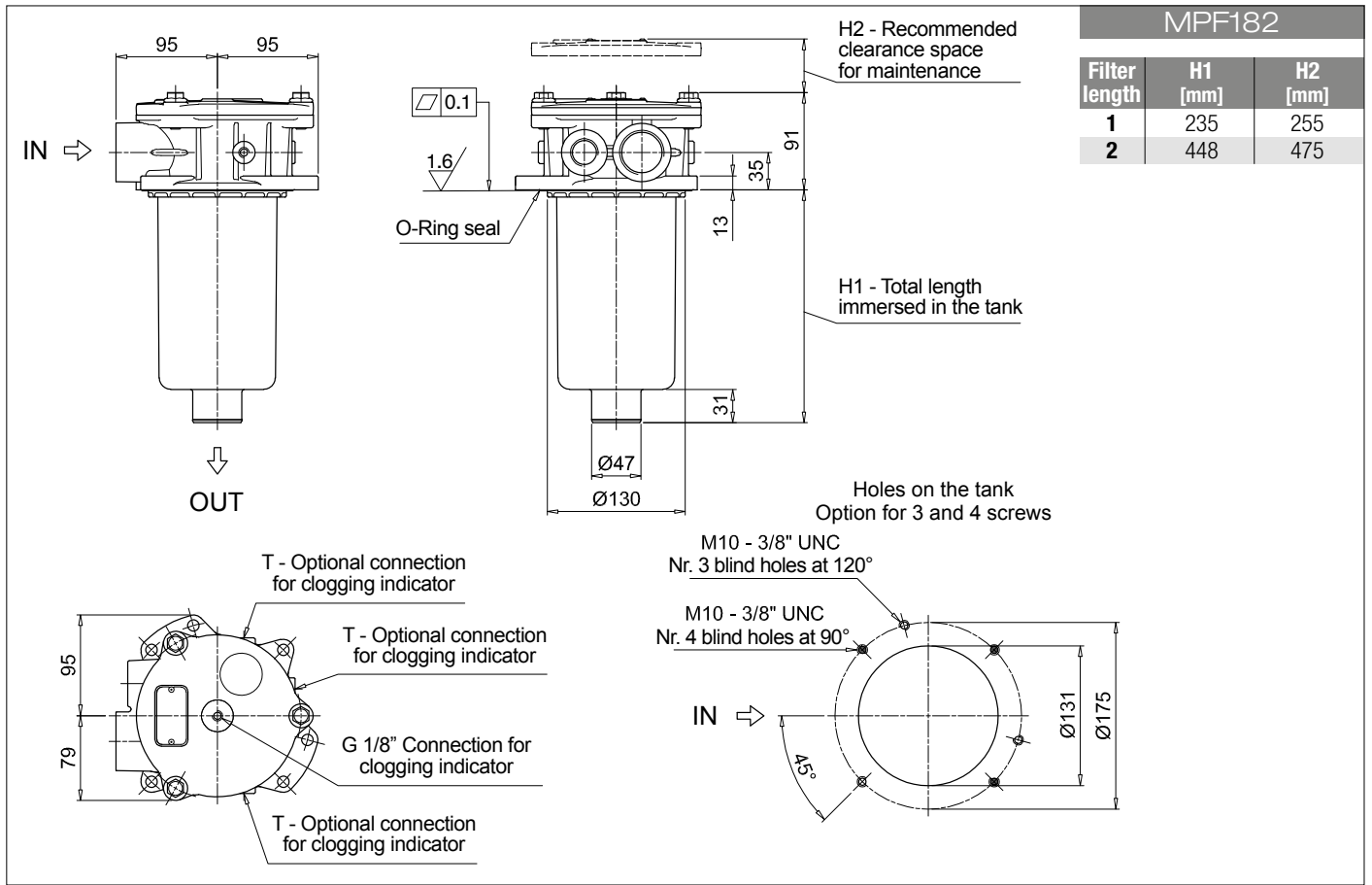
Series and size		Configuration example 1: MPF182 1 A G1 1 A25 H E P01									
MPF182	MPF192	Filter element with standard spigot									
		Configuration example 2: MPF192 2 V G4 2 P10 N B P01									
Length		Size 182	Size 192								
1		•									
2		•	•								
Seals and treatments											
A	NBR	B	NBR	flat seal on head							
V	FPM	D	FPM	flat seal on head							
W	NBR	head anodized		L	NBR	head anodized, flat seal on head					
Z	FPM	head anodized		M	FPM	head anodized, flat seal on head					
Main Connections		Aux size 1		Aux size 2							
G1	G 1 1/4"	G 1/2"		G 3/4"							
G4	1 1/4" NPT	1/2" NPT		3/4" NPT							
G7	SAE 20 - 1 5/8" - 12 UN	SAE 8 - 3/16" - 16 UNF		SAE 12 - 1 1/16" - 12 UN							
Aux connection - see previous table											
1	Aux size 1			2 Aux size 2							
Filtration rating (filter media)											
A03	Inorganic microfiber	3 µm		M25 Wire mesh 25 µm							
A06	Inorganic microfiber	6 µm		M60 Wire mesh 60 µm							
A10	Inorganic microfiber	10 µm		M90 Wire mesh 90 µm							
A16	Inorganic microfiber	16 µm		P10 Resin impregnated paper 10 µm							
A25	Inorganic microfiber	25 µm		P25 Resin impregnated paper 25 µm							
Element Δp				Filter media							
		Axx	Mxx	Pxx							
N	10 bar		•	•							
H	10 bar		•								
W	10 bar, compatible with fluids HFA, HFB and HFC	•	•								
				Bypass valve		Execution					
				E 3 bar		P01 MP Filtri standard					
				B 1.75 bar		Pxx Customized					

FILTER ELEMENT

Element series and size		Configuration example 1: MF180 1 A25 H B E P01									
MF180	MF190	Filter element with standard spigot									
		Configuration example 2: MF190 2 P10 N V P01									
Element length		Size 180	Size 190								
1		•									
2		•	•								
Filtration rating (filter media)											
A03	Inorganic microfiber	3 µm		M25 Wire mesh 25 µm							
A06	Inorganic microfiber	6 µm		M60 Wire mesh 60 µm							
A10	Inorganic microfiber	10 µm		M90 Wire mesh 90 µm							
A16	Inorganic microfiber	16 µm		P10 Resin impregnated paper 10 µm							
A25	Inorganic microfiber	25 µm		P25 Resin impregnated paper 25 µm							
Element Δp				Filter media							
		Axx	Mxx	Pxx							
N	10 bar		•	•							
H	10 bar		•								
W	10 bar, compatible with fluids HFA, HFB and HFC	•	•								
		Seals		Bypass valve		Execution					
		B NBR		E 3 bar		P01 MP Filtri standard					
		V FPM		B 1.75 bar		Pxx Customized					

ACCESSORIES

Indicators		page			page
BVA	Axial pressure gauge	240	BEA	Electrical pressure indicator	239
BVR	Radial pressure gauge	240	BEM	Electrical pressure indicator	239
BVP	Visual pressure indicator with automatic reset	241	BLA	Electrical / visual pressure indicator	239-240
BVQ	Visual pressure indicator with manual reset	241			
Additional features		page			
TE	Extension tube	248			
Sxx	Extension tube	248			
T5	Filler plug M30x1.5	249			



MPF MPF184 - MPF194

Designation & Ordering code

COMPLETE FILTER

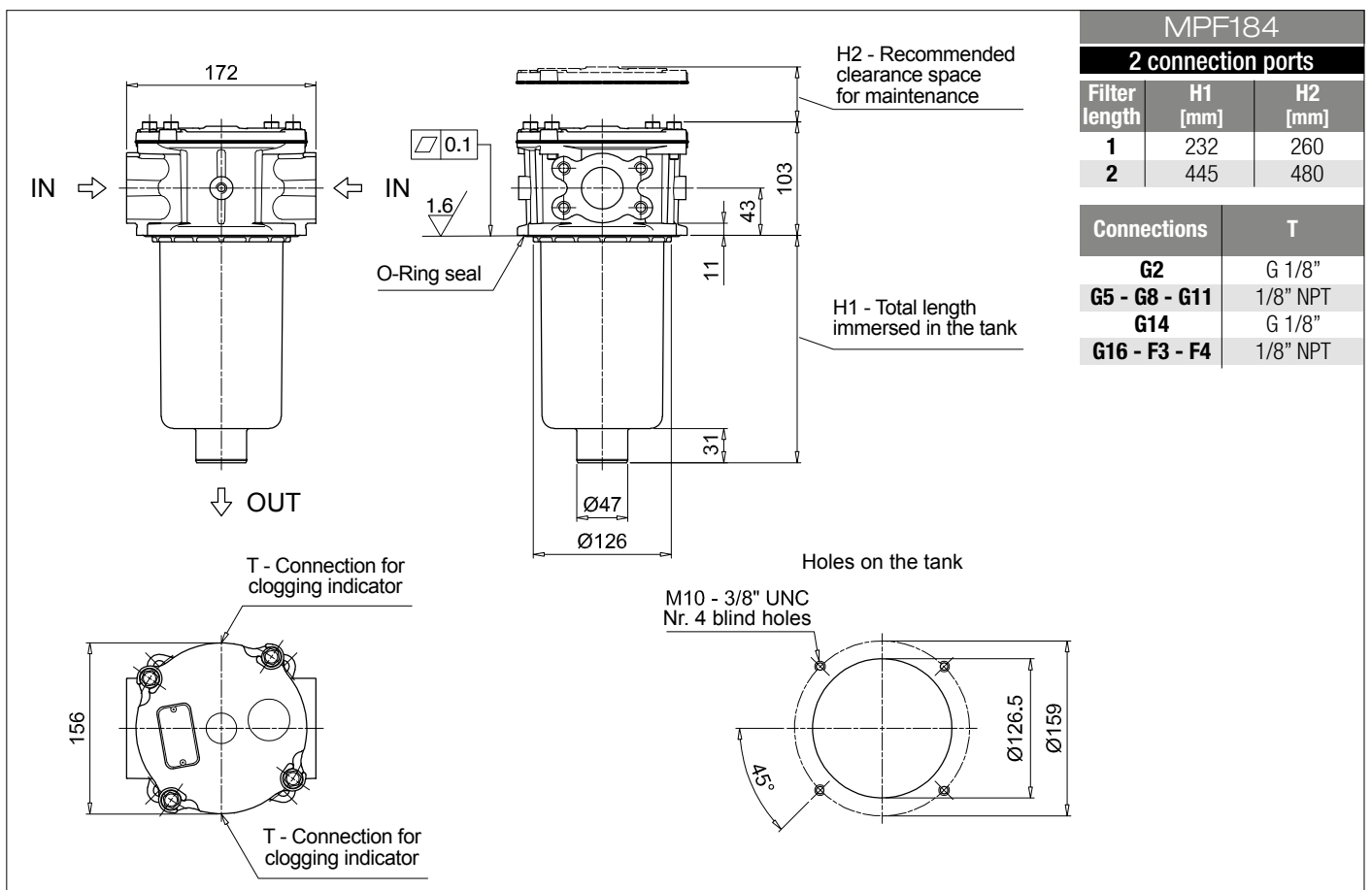
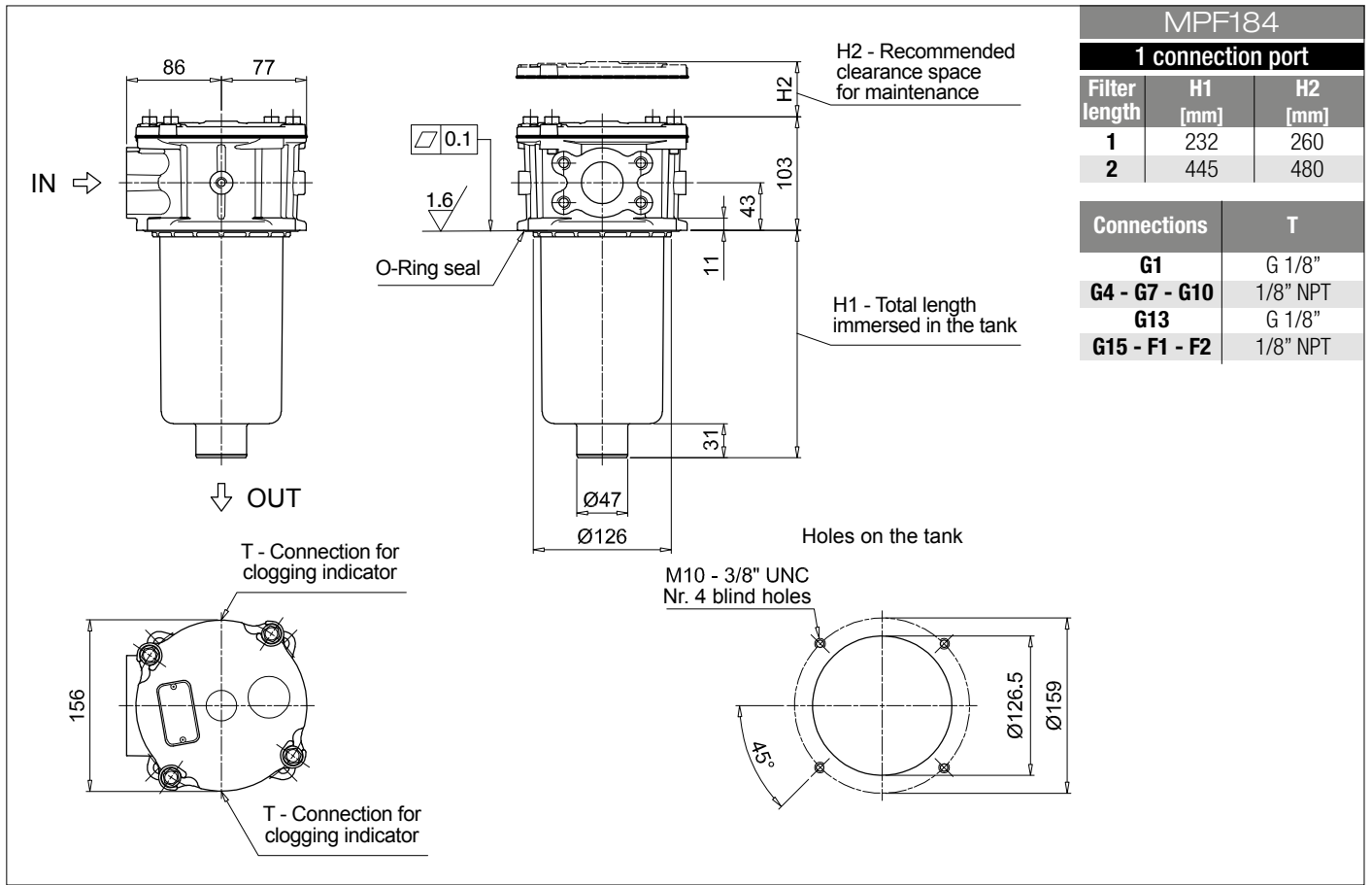
Series and size			Configuration example 1: MPF184 1 A G1 A25 H E P01								
MPF184 MPF194 Filter element with standard spigot			Configuration example 2: MPF194 2 V F3 P10 N B P01								
Length		Size 184	Size 194								
1		•									
2		•	•								
Seals and treatments											
A NBR		W NBR head anodized									
V FPM		Z FPM head anodized									
Main Connections		Rear connections		Main Connections		Rear connections					
G1 G 1 1/4"		-		G13 G 1 1/2"		-					
G2 G 1 1/4"		G 1 1/4"		G14 G 1 1/2"		G 1 1/4"					
G4 1 1/4" NPT		-		G15 1 1/2" NPT		-					
G5 1 1/4" NPT		1 1/4" NPT		G16 1 1/2" NPT		1 1/4" NPT					
G7 SAE 20 - 1 5/8" - 12 UN		-		F1 1 1/2" SAE 3000 psi/M		-					
G8 SAE 20 - 1 5/8" - 12 UN		SAE 20 - 1 5/8" - 12 UN		F2 1 1/2" SAE 3000 psi/UNC		-					
G10 SAE 24 - 1 7/8" - 12 UN		-		F3 1 1/2" SAE 3000 psi/M		1 1/2" SAE 3000 psi/M					
G11 SAE 24 - 1 7/8" - 12 UN		SAE 20 - 1 5/8" - 12 UN		F4 1 1/2" SAE 3000 psi/UNC		1 1/2" SAE 3000 psi/UNC					
Filtration rating (filter media)											
A03 Inorganic microfiber 3 µm		M25 Wire mesh 25 µm									
A06 Inorganic microfiber 6 µm		M60 Wire mesh 60 µm									
A10 Inorganic microfiber 10 µm		M90 Wire mesh 90 µm									
A16 Inorganic microfiber 16 µm		P10 Resin impregnated paper 10 µm									
A25 Inorganic microfiber 25 µm		P25 Resin impregnated paper 25 µm									
Element Δp			Filter media			Bypass valve			Execution		
N 10 bar			Axx Mxx Pxx			E 3 bar			P01 MP Filtri standard		
H 10 bar			•			B 1.75 bar			Pxx Customized		
W 10 bar, compatible with fluids HFA, HFB and HFC			• •								

FILTER ELEMENT

Element series and size			Configuration example 1: MF180 1 A25 H B E P01											
MF180 MF190 Filter element with standard spigot			Configuration example 2: MF190 2 P10 N V P01											
Element length		Size 180	Size 190											
1		•												
2		•	•											
Filtration rating (filter media)														
A03 Inorganic microfiber 3 µm		M25 Wire mesh 25 µm												
A06 Inorganic microfiber 6 µm		M60 Wire mesh 60 µm												
A10 Inorganic microfiber 10 µm		M90 Wire mesh 90 µm												
A16 Inorganic microfiber 16 µm		P10 Resin impregnated paper 10 µm												
A25 Inorganic microfiber 25 µm		P25 Resin impregnated paper 25 µm												
Element Δp			Filter media			Seals			Bypass valve			Execution		
N 10 bar			Axx Mxx Pxx			B NBR			E 3 bar			P01 MP Filtri standard		
H 10 bar			•			V FPM			 1.75 bar			Pxx Customized		
W 10 bar, compatible with fluids HFA, HFB and HFC			• •											

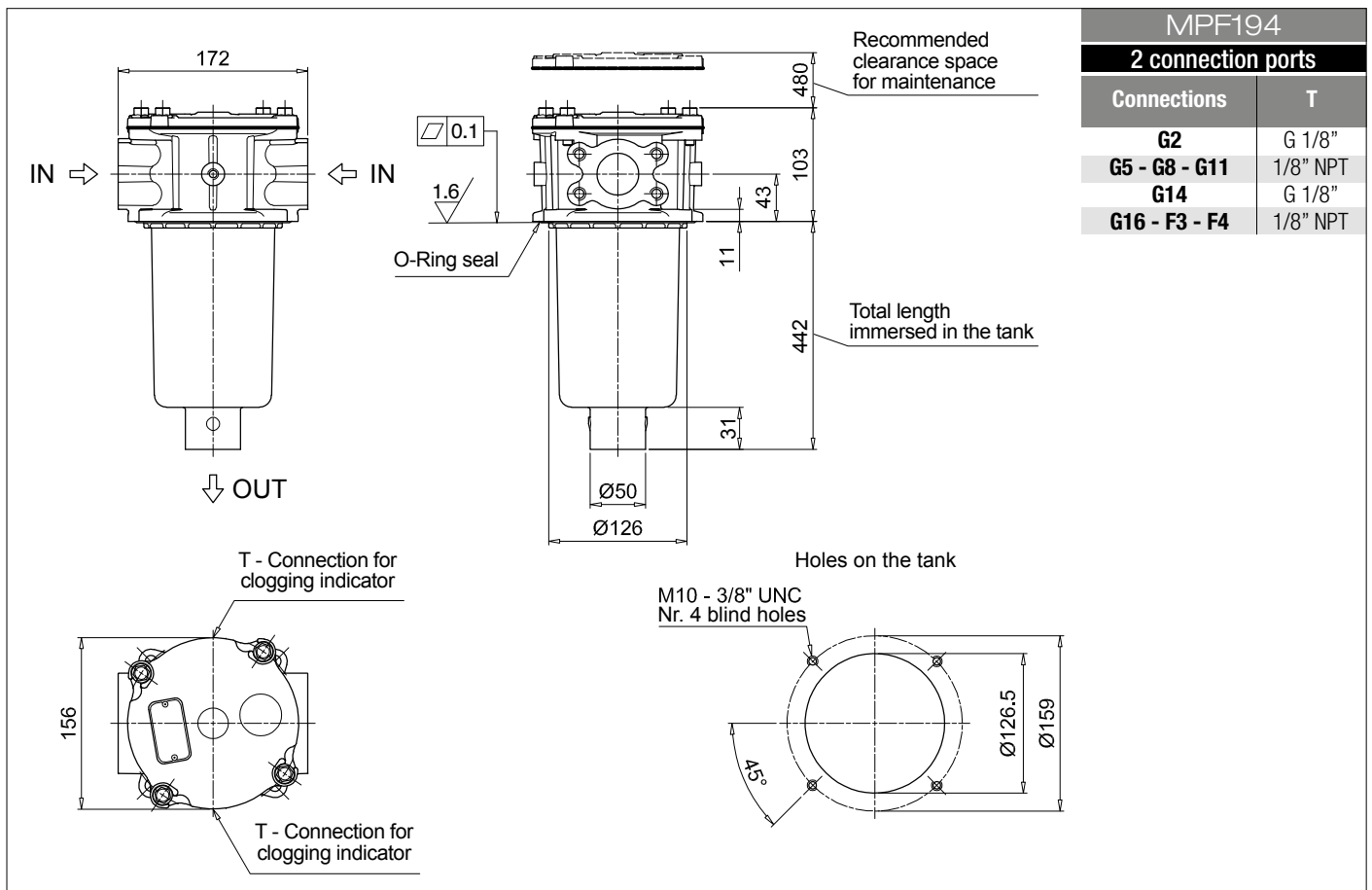
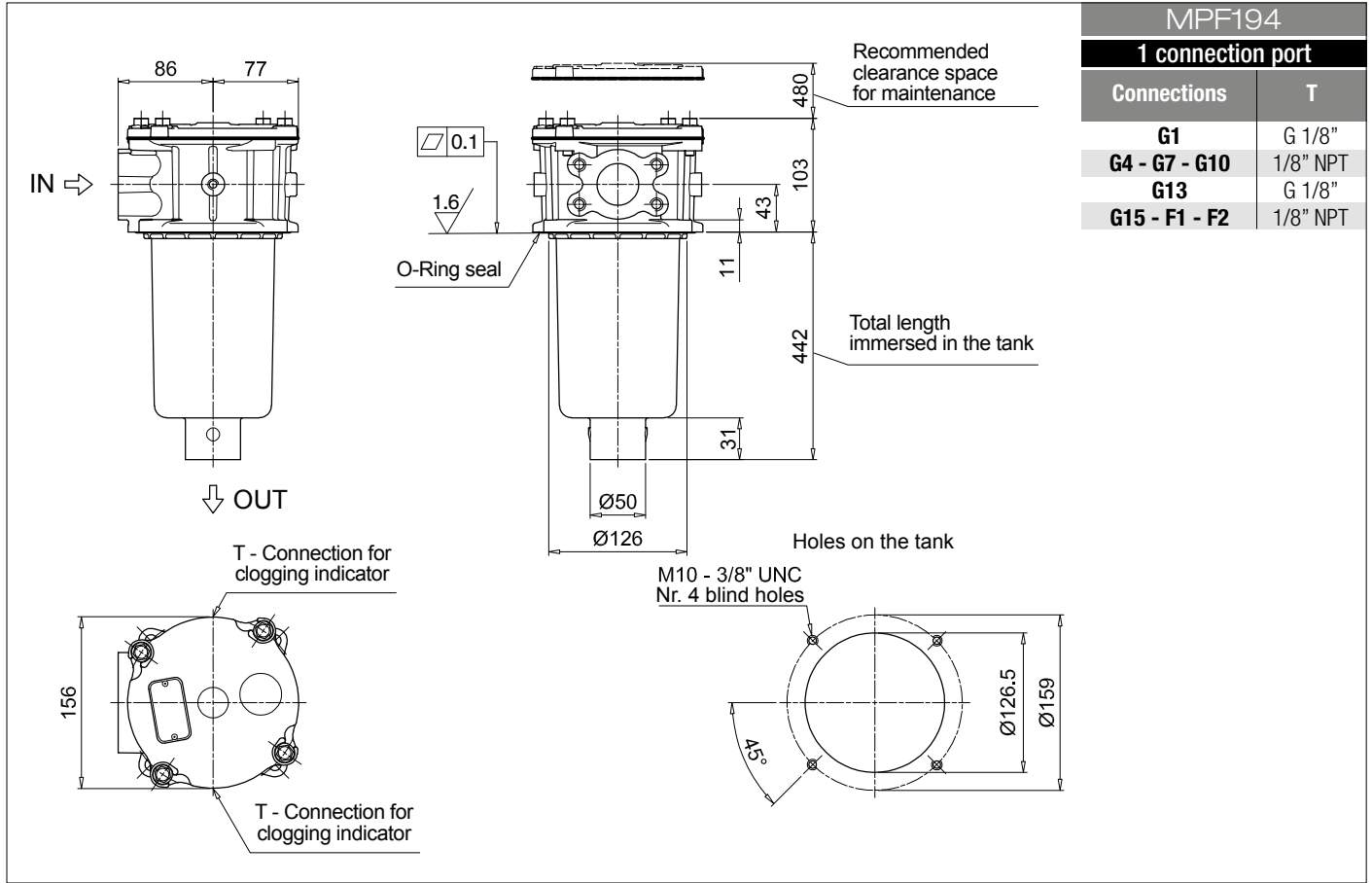
ACCESSORIES

Indicators		page			page
BVA Axial pressure gauge		240	BEA Electrical pressure indicator		239
BVR Radial pressure gauge		240	BEM Electrical pressure indicator		239
BVP Visual pressure indicator with automatic reset		241	BLA Electrical / visual pressure indicator		239-240
BVQ Visual pressure indicator with manual reset		241			
Additional features		page			
TE Extension tube		248			
Sxx Extension tube		248			
T5 Filler plug M30x1.5		249			



MPF MPF184 - MPF194

Dimensions



Designation & Ordering code

COMPLETE FILTER

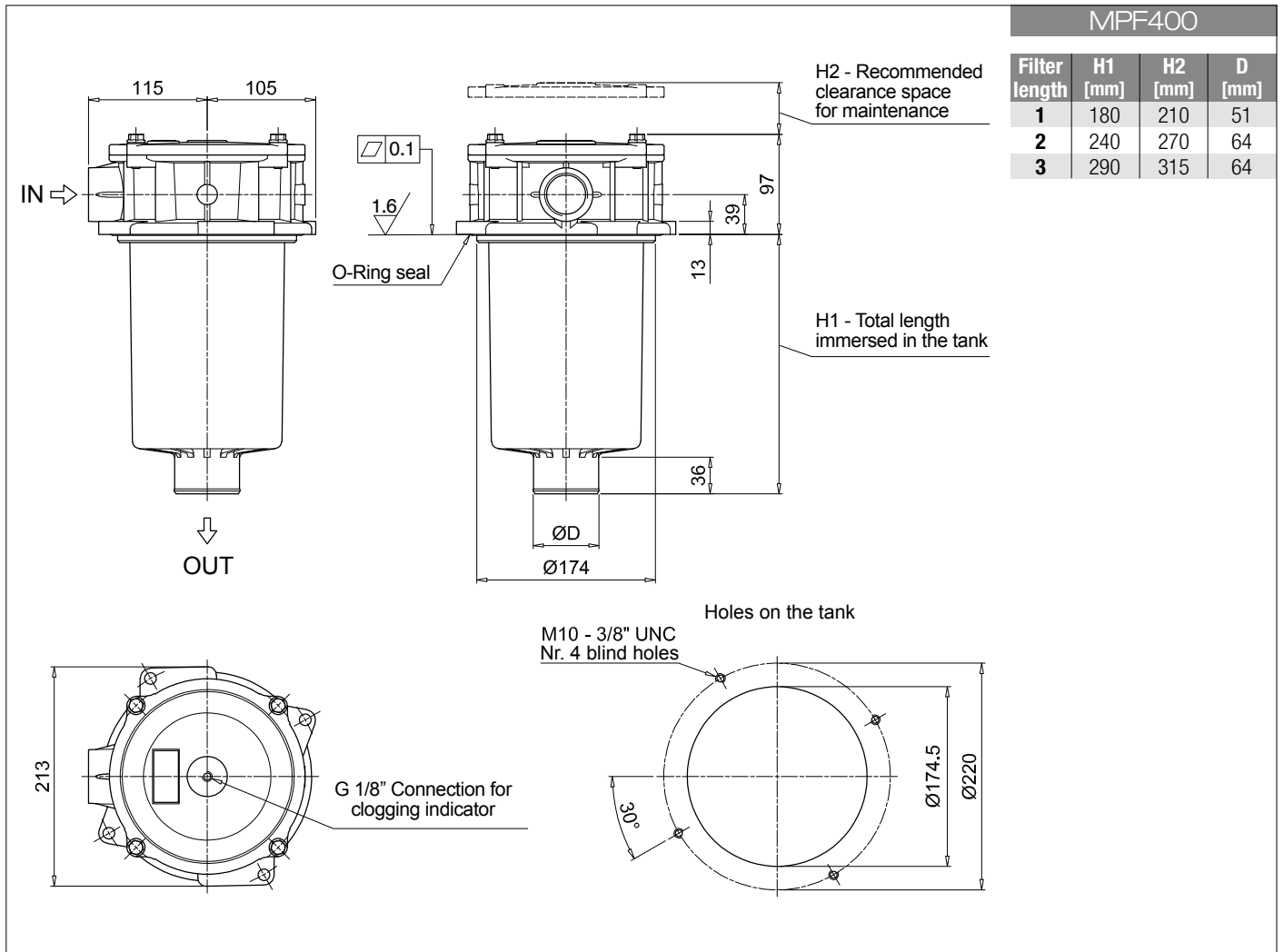
Series and size	Configuration example 1: MPF400 1 A G9 A25 H B P01											
MPF400 Filter element with standard spigot	Configuration example 2: MPF400 2 V G4 P10 N E P01											
Length												
1 2 3												
Seals and treatments												
A NBR												
V FPM												
W NBR head anodized												
Z FPM head anodized												
Connections												
G1 G 1 1/4"			G6 2" NPT									
G2 G 1 1/2"			G7 SAE 20 - 1 5/8" - 12 UN									
G3 G 2"			G8 SAE 24 - 1 7/8" - 12 UN									
G4 1 1/4" NPT			G9 SAE 32 - 2 1/2" - 12 UN									
G5 1 1/2" NPT												
Filtration rating (filter media)												
A03 Inorganic microfiber 3 µm			M25 Wire mesh 25 µm									
A06 Inorganic microfiber 6 µm			M60 Wire mesh 60 µm									
A10 Inorganic microfiber 10 µm			M90 Wire mesh 90 µm									
A16 Inorganic microfiber 16 µm			P10 Resin impregnated paper 10 µm									
A25 Inorganic microfiber 25 µm			P25 Resin impregnated paper 25 µm									
Filter media												
Element Δp			Axx			Mxx			Pxx			
N 10 bar												
H 10 bar			•									
W 10 bar, compatible with fluids HFA, HFB and HFC			•			•						
							Bypass valve		Execution			
							E 3 bar		P01 MP Filtri standard			
							B 1.75 bar		Pxx Customized			

FILTER ELEMENT

Element series and size	Configuration example 1: MF400 1 A25 H B P01											
MF400 Filter element with standard spigot	Configuration example 2: MF400 2 P10 N V E P01											
Element length												
1 2 3												
Filtration rating (filter media)												
A03 Inorganic microfiber 3 µm			M25 Wire mesh 25 µm									
A06 Inorganic microfiber 6 µm			M60 Wire mesh 60 µm									
A10 Inorganic microfiber 10 µm			M90 Wire mesh 90 µm									
A16 Inorganic microfiber 16 µm			P10 Resin impregnated paper 10 µm									
A25 Inorganic microfiber 25 µm			P25 Resin impregnated paper 25 µm									
Filter media												
Element Δp			Axx			Mxx			Pxx			
N 10 bar												
H 10 bar			•									
W 10 bar, compatible with fluids HFA, HFB and HFC			•			•						
					Seals		Bypass valve		Execution			
					B NBR		E 3 bar		P01 MP Filtri standard			
					V FPM		1.75 bar		Pxx Customized			

ACCESSORIES

Indicators	page		page
BVA Axial pressure gauge	240	BEA Electrical pressure indicator	239
BVR Radial pressure gauge	240	BEM Electrical pressure indicator	239
BVP Visual pressure indicator with automatic reset	241	BLA Electrical / visual pressure indicator	239-240
BVQ Visual pressure indicator with manual reset	241		
Additional features	page		
Sxx Extension tube	248		
T5 Filler plug M30x1.5	249		



Designation & Ordering code

COMPLETE FILTER

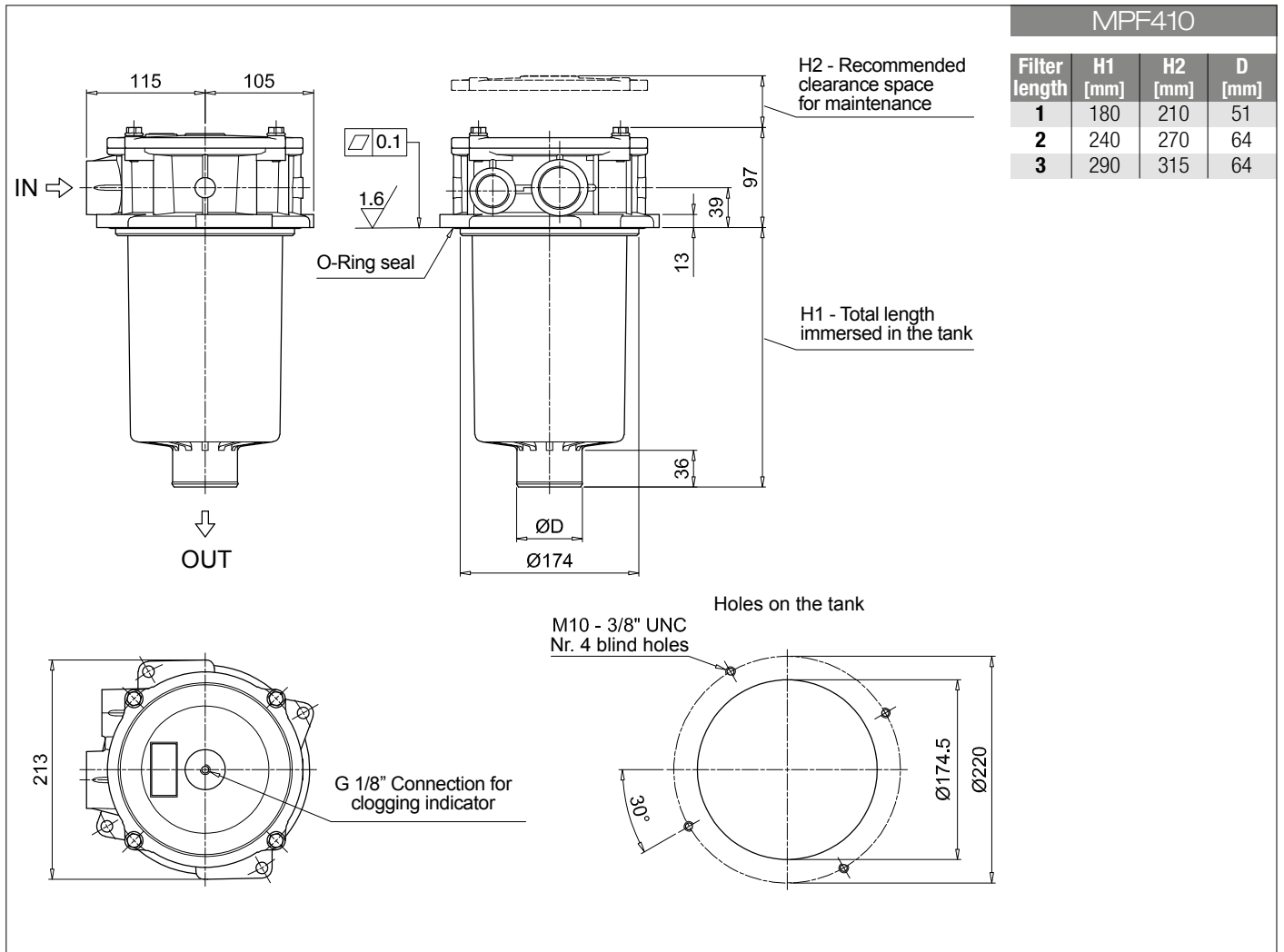
Series and size	Configuration example 1:	MPF410	1	A	G1	1	A25	H	B	P01
MPF410 Filter element with standard spigot	Configuration example 2:	MPF410	1	V	G4	1	P10	N	E	P01
Length										
1 2 3										
Seals and treatments										
A NBR										
V FPM										
W NBR head anodized										
Z FPM head anodized										
Main Connections					Aux size 1					
G1 G 1 1/4"					G 1"					
G4 1 1/4" NPT					1" NPT					
G7 SAE 20 - 1 5/8" - 12 UN					SAE 16 - 1 5/16" - 12 UN					
Aux connection - see previous table										
1 Aux size 1										
Filtration rating (filter media)										
A03 Inorganic microfiber 3 µm			M25 Wire mesh 25 µm							
A06 Inorganic microfiber 6 µm			M60 Wire mesh 60 µm							
A10 Inorganic microfiber 10 µm			M90 Wire mesh 90 µm							
A16 Inorganic microfiber 16 µm			P10 Resin impregnated paper 10 µm							
A25 Inorganic microfiber 25 µm			P25 Resin impregnated paper 25 µm							
Element Δp										
N 10 bar										
H 10 bar										
W 10 bar, compatible with fluids HFA, HFB and HFC										
Filter media										
Axx Mxx Pxx										
N 10 bar										
H 10 bar										
W 10 bar, compatible with fluids HFA, HFB and HFC										
Bypass valve										
E 3 bar										
B 1.75 bar										
Execution										
P01 MP Filtri standard										
Pxx Customized										

FILTER ELEMENT

Element series and size	Configuration example 1:	MF400	1	A25	H	B		P01
MF400 Filter element with standard spigot	Configuration example 2:	MF400	1	P10	N	V	E	P01
Element length								
1 2 3								
Filtration rating (filter media)								
A03 Inorganic microfiber 3 µm			M25 Wire mesh 25 µm					
A06 Inorganic microfiber 6 µm			M60 Wire mesh 60 µm					
A10 Inorganic microfiber 10 µm			M90 Wire mesh 90 µm					
A16 Inorganic microfiber 16 µm			P10 Resin impregnated paper 10 µm					
A25 Inorganic microfiber 25 µm			P25 Resin impregnated paper 25 µm					
Element Δp								
N 10 bar								
H 10 bar								
W 10 bar, compatible with fluids HFA, HFB and HFC								
Filter media								
Axx Mxx Pxx								
N 10 bar								
H 10 bar								
W 10 bar, compatible with fluids HFA, HFB and HFC								
Seals								
B NBR								
V FPM								
Bypass valve								
E 3 bar								
1.75 bar								
Execution								
P01 MP Filtri standard								
Pxx Customized								

ACCESSORIES

Indicators	page		page
BVA Axial pressure gauge	240	BEA Electrical pressure indicator	239
BVR Radial pressure gauge	240	BEM Electrical pressure indicator	239
BVP Visual pressure indicator with automatic reset	241	BLA Electrical / visual pressure indicator	239-240
BVQ Visual pressure indicator with manual reset	241		
Additional features	page		
Sxx Extension tube	248		
T5 Filler plug M30x1.5	249		



MPF MPF450 - MPF451 - MPF750

Designation & Ordering code

COMPLETE FILTER

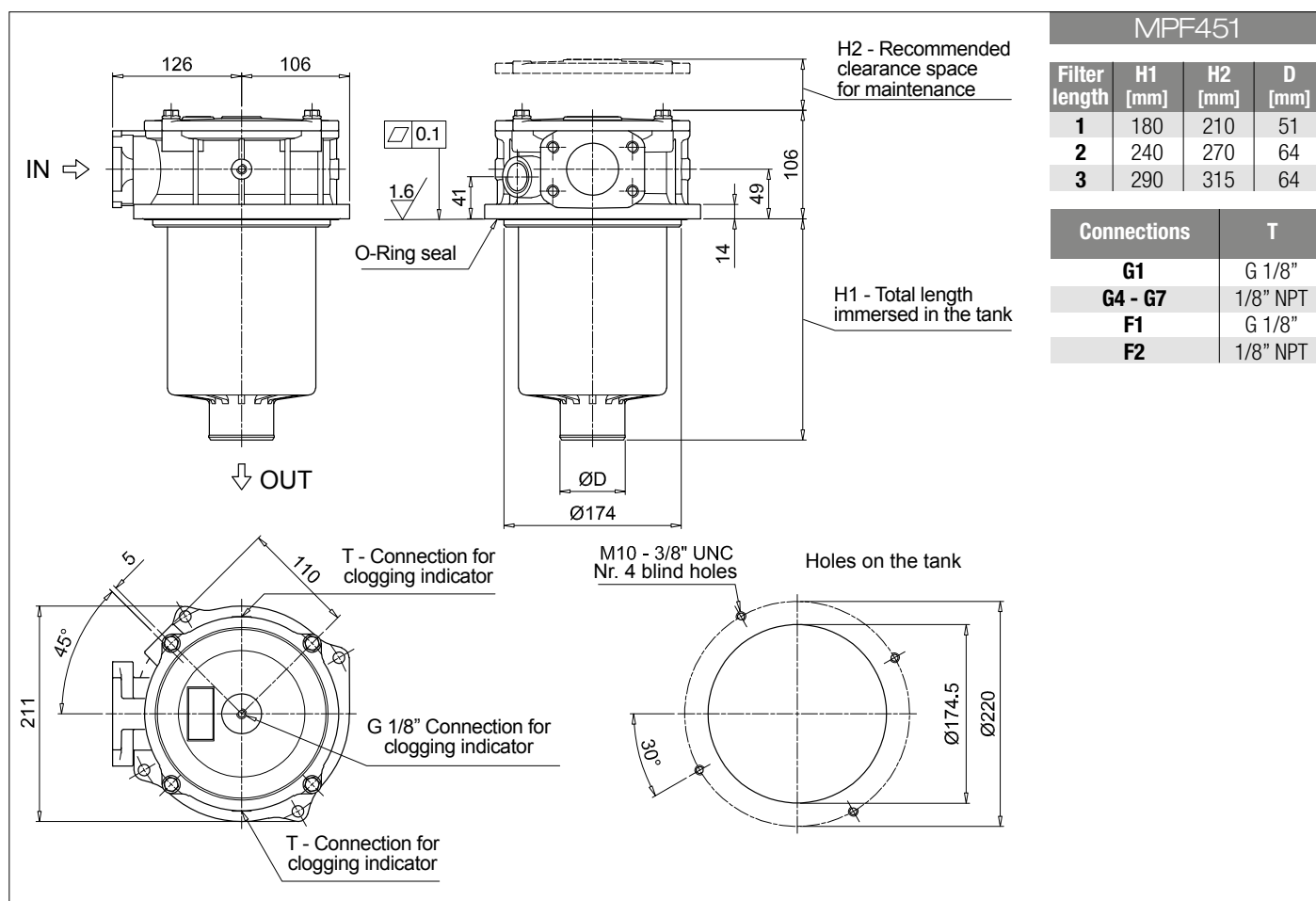
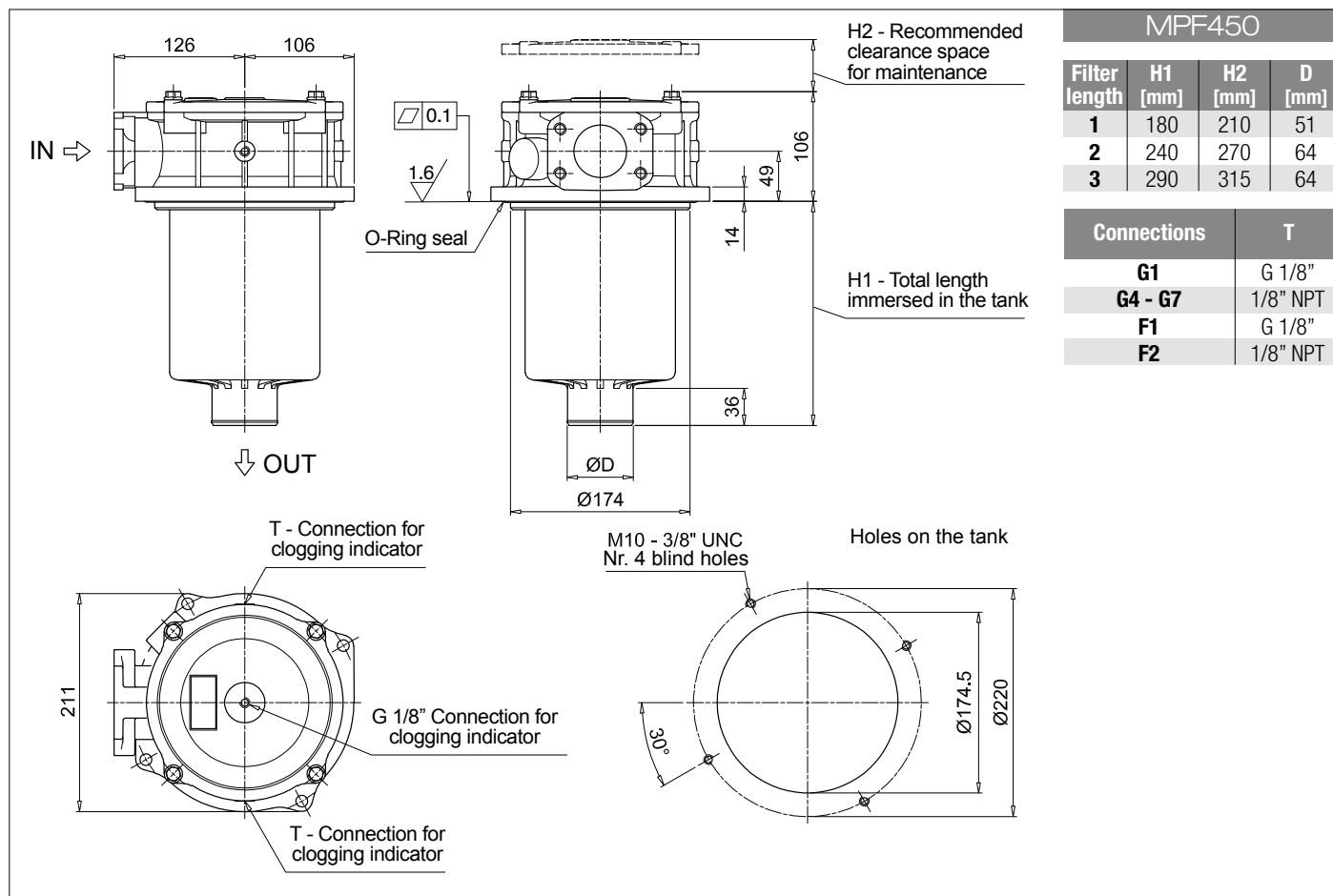
Series and size			Configuration example 1: MPF450 1 A G1 A25 H B P01								
MPF450 MPF451 MPF750	Filter element with standard spigot		Configuration example 2: MPF750 1 V F2 P10 N E P01								
Length			MPF 450	MPF 451	MPF 750						
1			•	•	•						
2			•	•							
3			•	•							
Seals and treatments											
A NBR	W NBR	head anodized									
V FPM	Z FPM	head anodized									
Connections			Aux (only size 451)								
G1 G 2"			G 3/4"								
G4 2" NPT			3/4" NPT								
G7 SAE 32 - 2 1/2" - 12 UN			SAE 12 - 1 1/16" - 12 UN								
F1 2" SAE 3000 psi/M			G 3/4"								
F2 2" SAE 3000 psi/UN			3/4" NPT								
Filtration rating (filter media)											
A03 Inorganic microfiber 3 µm			M25 Wire mesh 25 µm								
A06 Inorganic microfiber 6 µm			M60 Wire mesh 60 µm								
A10 Inorganic microfiber 10 µm			M90 Wire mesh 90 µm								
A16 Inorganic microfiber 16 µm			P10 Resin impregnated paper 10 µm								
A25 Inorganic microfiber 25 µm			P25 Resin impregnated paper 25 µm								
Element Δp			Filter media								
			Axx	Mxx	Pxx						
N 10 bar				•	•						
H 10 bar				•							
W 10 bar, compatible with fluids HFA, HFB and HFC			•	•							
						Bypass valve		Execution			
						E 3 bar		P01 MP Filtri standard			
						B 1.75 bar		Pxx Customized			

FILTER ELEMENT

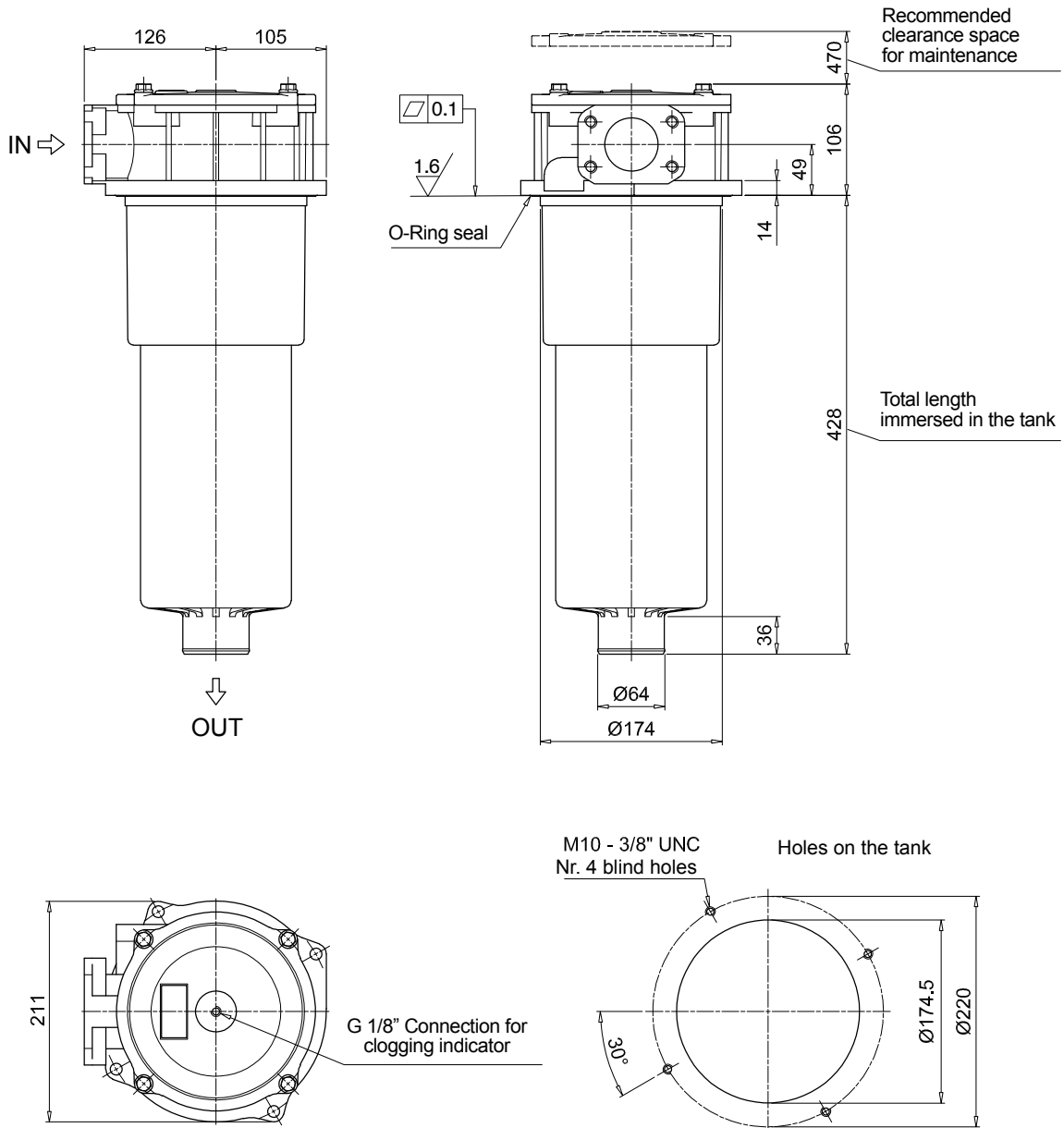
Element series and size			Configuration example 1: MF400 1 A25 H B P01								
MF400 MF750	Filter element with standard spigot		Configuration example 2: MFX750 1 P10 N V E P01								
Element length			MPF 450	MPF 451	MPF 750						
1			•	•	•						
2			•	•							
3			•	•							
Filtration rating (filter media)											
A03 Inorganic microfiber 3 µm			M25 Wire mesh 25 µm								
A06 Inorganic microfiber 6 µm			M60 Wire mesh 60 µm								
A10 Inorganic microfiber 10 µm			M90 Wire mesh 90 µm								
A16 Inorganic microfiber 16 µm			P10 Resin impregnated paper 10 µm								
A25 Inorganic microfiber 25 µm			P25 Resin impregnated paper 25 µm								
Element Δp			Filter media								
			Axx	Mxx	Pxx						
N 10 bar				•	•						
H 10 bar				•							
W 10 bar, compatible with fluids HFA, HFB and HFC			•	•							
						Seals		Bypass valve		Execution	
						B NBR		E 3 bar		P01 MP Filtri standard	
						V FPM		B 1.75 bar		Pxx Customized	

ACCESSORIES

Indicators		page			page
BVA Axial pressure gauge		240	BEA Electrical pressure indicator		239
BVR Radial pressure gauge		240	BEM Electrical pressure indicator		239
BVP Visual pressure indicator with automatic reset		241	BLA Electrical / visual pressure indicator		239-240
BVQ Visual pressure indicator with manual reset		241			
Additional features		page			
Sxx Extension tube		248			
T5 Filler plug M30x1.5		249			



MPF750



MPF 100

MPF 181

O-RING SEAL

Item:	Q.ty: 1 pc.	Q.ty: 1 pc.	
	2	3 (3a ÷ 3d)	
Filter series	Filter element	Seal Kit code number NBR	Seal Kit code number FPM
MPF 030	See order table	02050055	02050056
MPF 100-110		02050057	02050058
MPF 181-182		02050059	02050060
MPF 184		02050455	02050456
MPF 191-192		02050457	02050458
MPF 194		02050459	02050460
MPF 400-410		02050061	02050062
MPF 450-451		02050461	02050462
MPF 750		02050106	02050107

MPF 104

MPF 181

FLAT SEAL

Item:	Q.ty: 1 pc.	Q.ty: 1 pc.	
	2	3 (3a ÷ 3d)	
Filter series	Filter element	Seal Kit code number NBR	Seal Kit code number FPM
MPF 020	See order table	02050438	02050439
MPF 104		02050350	02050408
MPF 181-182		02050659	02050660
MPF 191-192		02050661	02050662