

Series DELTA TAU

Product description

The DELTA TAU series of switchboxes represents a completely new dimension in switchboxes for actuators. Manufactured completely in technopolymer with stainless steel fasteners and IP65 rating, these products are corrosion resistant and suitable for the most corrosive environments.

Quick set cams

The operating position of the switches can be easily changed by adjusting the high resolution spline cams both manually and independently, without the need for additional tools. This operation is electrically safe due to the insulation of the wiring of strips and the microswitches.

Compact design

The DELTA TAU Switch Box is a compact construction, minimizing valve package envelope size.

Easy wiring

Despite its compact design, the DELTA TAU switch boxes are easy to wire up with plenty of room to bring wires into the enclosure. As standard, they have conduit entry M 20 x 1,5 (or 1/2" NPT) and an optional second hole M 20 x 1,5 (or 1/2" NPT). The DELTA TAU switch boxes are equipped with 2 different removable strips as standard. The first one with 8 terminal points and the second one with 2 points, therefore, the dual coil solenoid valves can be connected.

Inclusive mounting bracket

A techno-polymer mounting bracket is supplied as standard with the DELTA TAU Switch Box and it fits the NAMUR top-mounting hole spacing 80 mm per 30 mm. The bracket allows the use of standard NAMUR stem height $h=20$ mm with a coupling as optional, $h=30$ mm and $h=50$ mm.

High visibility indicator

Our Tri-dimensional indicator offers clear location of the current valve position for 90°- 120°- 135°-150°- 180°angle.

Versions

The DELTA TAU Switch Box is offered with mechanical micro switches or different types of proximity sensors.



BE41



BS42

Technical data

Materials:

Box	: Technopolymer
Brackets	: Technopolymer
Position indicator	: Technopolymer
Fasteners	: Stainless Steel
Seals	: Buna-N
Operating shafts	: Technopolymer
Cams	: Technopolymer
Microswitches	: Technopolymer
Electrical board with clamps	: Polyamide

Protection ratings

Enclosure protection	: IP65 (NEMA 4,4x)
Hazardous location	: Eex-ia IIC T6

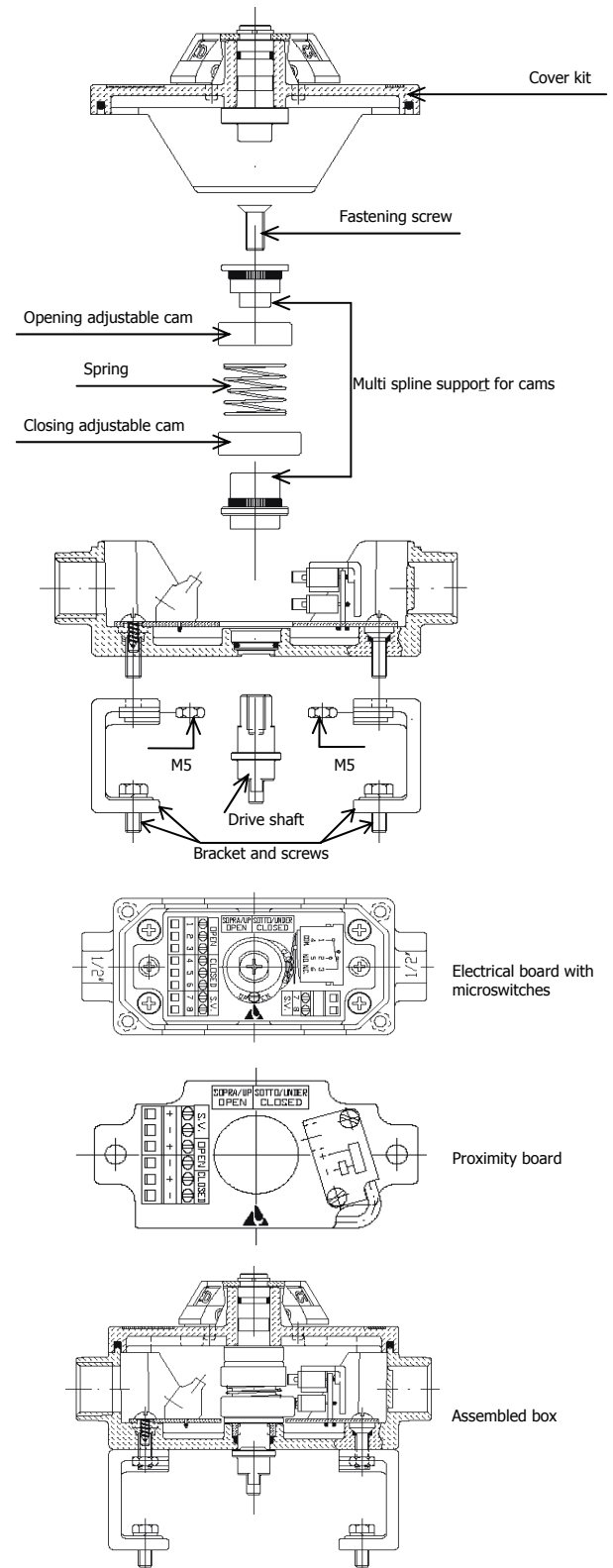
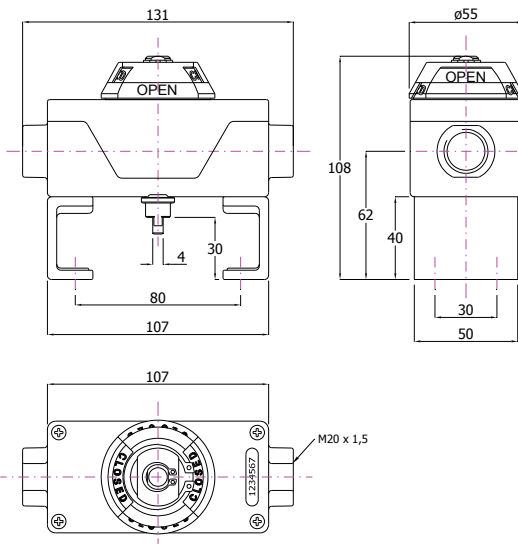
Electrical rating

Mechanical switches SPDT	: 3A@250V/AC
Proximity switches	: IFM or P&F

Temperature

-20° up to +80°

Dimensions:



Ordering information (for standard execution)

SWB - **BE41** - 2 x SPDT - **1 x M20**

BE41: 2 microswitches
BE44: 4 microswitches
BS41: 1 sensor
BS42: 2 sensors
BS43: 3 sensors
BS44: 4 sensors

1 x M20
2 x M20
1 x NPT
2 x NPT

All other specifications on request