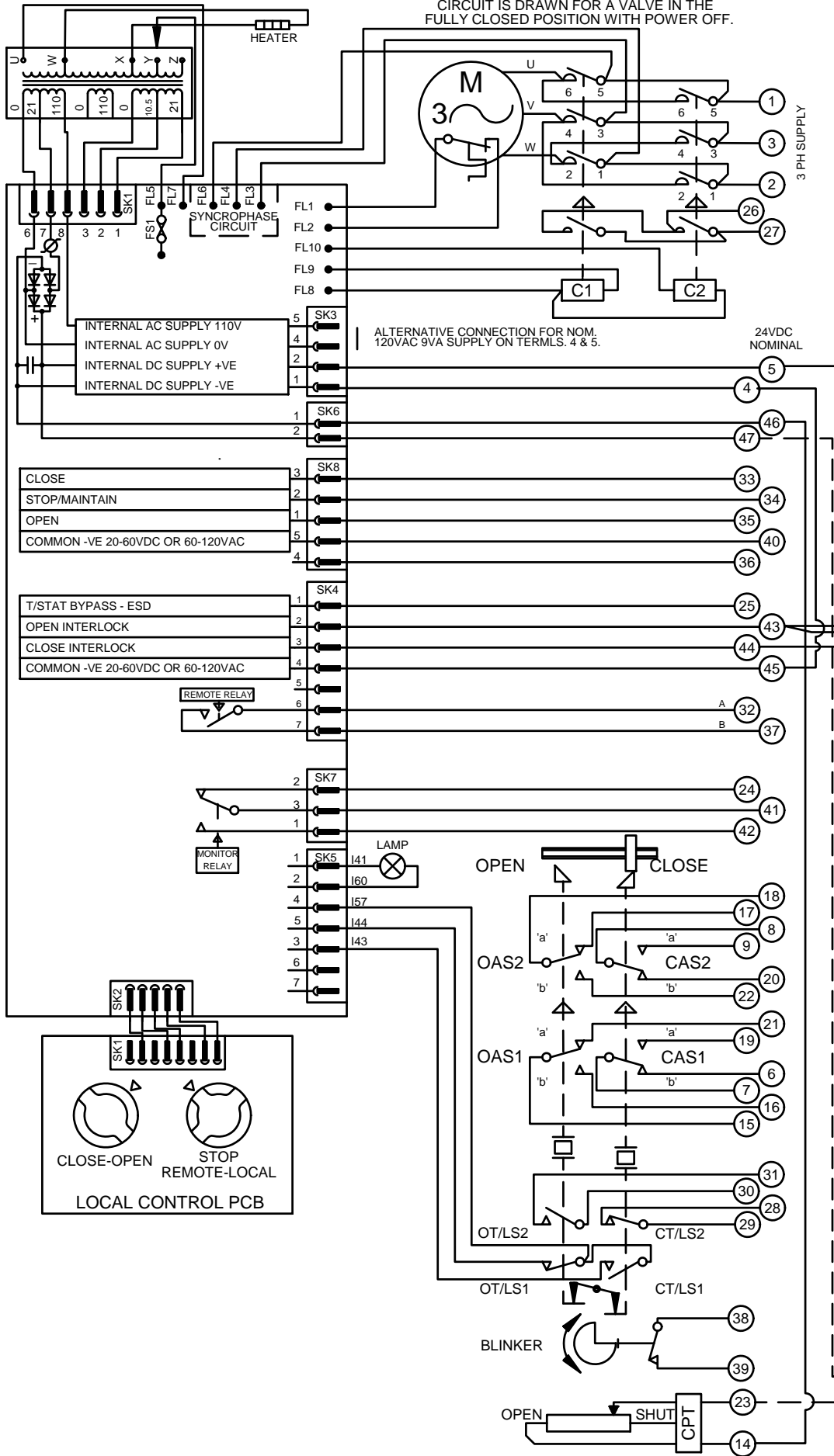


CIRCUIT IS DRAWN FOR A VALVE IN THE FULLY CLOSED POSITION

CIRCUIT IS DRAWN FOR A VALVE IN THE FULLY CLOSED POSITION WITH POWER OFF.



TRANSFORMER TAPPING OPTIONS

TYPE 1

TAP	NOM 50/60HZ	50HZ	60HZ
W	220/230	176-264	176-264
X	380/400	304-456	304-456
Y	415/420	332-498	332-498
Z	440/460	352-528	352-528

TYPE 2

TAP	NOM 50/60HZ	50HZ	60HZ
W	240/240	192-288	192-288
X	346/380	277-415	227-415
Y	480/500	384-576	384-576
Z	550/575	440-660	440-660

MAX EXTERNAL LOAD ON TERMINALS 4 & 5 TO BE 3W

FS1 150mA ANTI-SURGE

O - OPEN

C - CLOSE

C1 & C2 - CONTACTOR COILS.

T/LS - TORQUE/LIMITSWITCH

OAS1/CAS1 - AUXILIARY LIMIT SWITCH

MAKE CONTACT AT END OF TRAVEL

OAS1/CAS2 - AUXILIARY LIMIT SWITCH

BREAK CONTACT AT END OF TRAVEL

LINK SUPPLIED BY ROTORK

WIRES ARE IDENTIFIED AT EACH END BY TERMINAL No. OR BY WIRE No. SHOWN

FOR TYPICAL REMOTE CONTROL INDICATING, MONITORING AND ALARM CIRCUITS SEE PUBLICATION E320E

CONTROL SIGNAL THRESHOLD VOLTAGES

MAXIMUM 'OFF' 6V.

MINIMUM CONTROL SIGNAL 300ms.

E.S.D. CONTROL SIGNAL VOLTAGE MUST

BE EQUAL TO OR GREATER THAN ALL

OTHER CONTROL SIGNAL VOLTAGES.

TORQUE AND LIMIT SWITCH OPERATION

SWITCH	OPEN	INTER	SHUT
OT/LS1			
OT/LS2			
CT/LS1			
CT/LS2			
CAS1 'a'			
CAS1 'b'			
OAS1 'a'			
OAS1 'b'			
CAS2 'a'			
CAS2 'b'			
OAS2 'a'			
OAS2 'b'			

INDICATES SWITCH MADE

FOR CPT DETAILS SEE ROTORK PUBLICATION AE4/1

Iss	Date	Chkd	Revision Details
2	120711 ARD	PJW	CHANGE TO SUIT EC3715 + converted to SE format.

**www.rotork.com**

ROTORK CONTROLS LTD  
BATH, BA1 3JQ  
ENGLAND  
Tel:01225-733200

ROTORK CONTROLS INC  
ROCHESTER  
NY 14624, USA  
Tel:585-247-2304

1652M61+REM RLY+TQ SW  
TRIP+C/OAS AS C/O

Drawn by: D.ADAMS  
Date : 040507  
Base WD: 1652M61  
Job No : .  
MI No : .

Circuit Diagram No  
**WD08427**

Issue No  
**2**