

FLX Stix NDPro

LED for Display, Cabinet, Furniture & Cove

Linear Perfection with NDPro



- Super slim linear LED with spot free output
- Quick connection system
- Perfected with color consistency
- No dark spot at the linkage point for seamless effect
- Various mounting methods including magnetic
- Dimmable with available accessories



CONDÉ NAST
INTERNATIONAL LUXURY CONFERENCE
FUTURE LUXURY
2016
In Partnership with
SWAROVSKI
VENDÔME



FLX Stix NDPro
Standard Output



NDP1 L38 / FLX Stix NDPro .5W length (38mm)



NDP1 / FLX Stix NDPro 1W length (100mm)



NDP3 / FLX Stix NDPro 3W length (193mm)



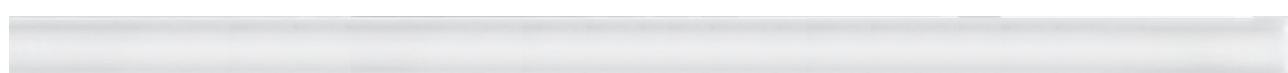
NDP4 / FLX Stix NDPro 4W length (284mm)



NDP7 / FLX Stix NDPro 7W length (564mm)



NDP11 / FLX Stix NDPro 11W length (843mm)

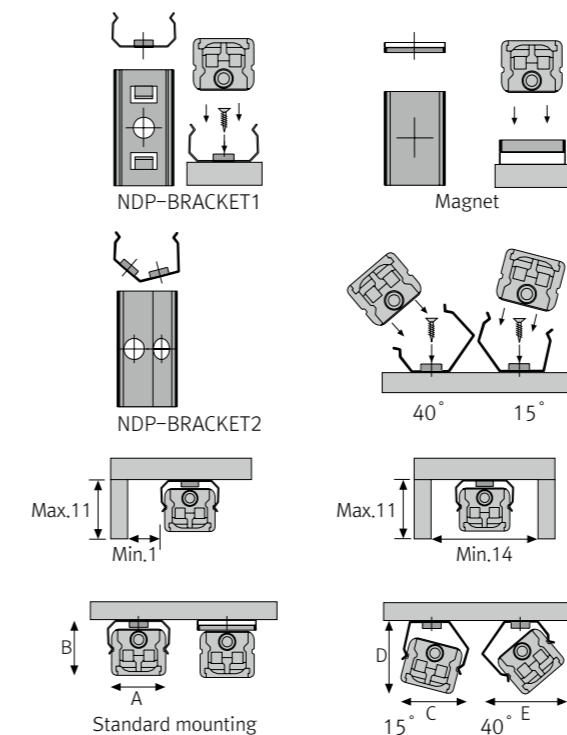


NDP15 / FLX Stix NDPro 15W length (1,122mm)

Various options



Installation



Max. connection

- 55W in one row (single power feed)
- LED Driver

LED Driver Model Name	Max. units for LED Driver		
	24V/30W	24V/75W	24V/200W
NDP1 40K-24V-C90	25	62	160
NDP3 40K-24V-C90	10	25	66
NDP4 40K-24V-C90	7	18	50
NDP7 40K-24V-C90	4	10	28
NDP11 40K-24V-C90	2	6	18
NDP15 40K-24V-C90	2	5	13

- W/ Bracket

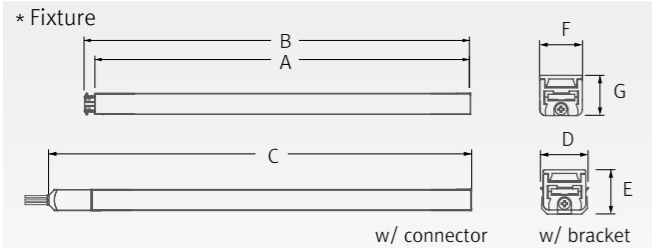
	A(mm)	B(mm)	C(mm)	D(mm)	E(mm)	F(mm)
Flat type	12	11	13.1	14.3	16	14.6

Specification

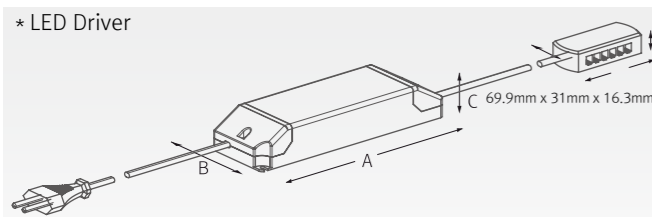
Model Name	Power Input	Lamp Power	Lumens	Efficiency	Color Rendering	Available Color	Operating Temperature
NDP1 40K-24V-C90-L38	DC 24V	.5 W	40 lm	80 lm/W	Ra > 90	2,200K/2,500K/2,700K/3,000K/3,500K/ 4,000K/5,000K /5,700K	0~45°C
NDP1 40K-24V-C90	DC 24V	1.2 W	86 lm	70 lm/W	Ra > 90	2,200K/2,500K/2,700K/3,000K/3,500K/ 4,000K/5,000K /5,700K	0~45°C
NDP3 40K-24V-C90	DC 24V	2.4 W	170 lm	70 lm/W	Ra > 90	2,200K/2,500K/2,700K/3,000K/3,500K/ 4,000K/5,000K /5,700K	0~45°C
NDP4 40K-24V-C90	DC 24V	3.6 W	259 lm	71 lm/W	Ra > 90	2,200K/2,500K/2,700K/3,000K/3,500K/ 4,000K/5,000K /5,700K	0~45°C
NDP7 40K-24V-C90	DC 24V	7.1 W	515 lm	73 lm/W	Ra > 90	2,200K/2,500K/2,700K/3,000K/3,500K/ 4,000K/5,000K /5,700K	0~45°C
NDP11 40K-24V-C90	DC 24V	10.8 W	823 lm	76 lm/W	Ra > 90	2,200K/2,500K/2,700K/3,000K/3,500K/ 4,000K/5,000K /5,700K	0~45°C
NDP15 40K-24V-C90	DC 24V	14.4 W	1,032lm	72 lm/W	Ra > 90	2,200K/2,500K/2,700K/3,000K/3,500K/ 4,000K/5,000K /5,700K	0~45°C

Dimension

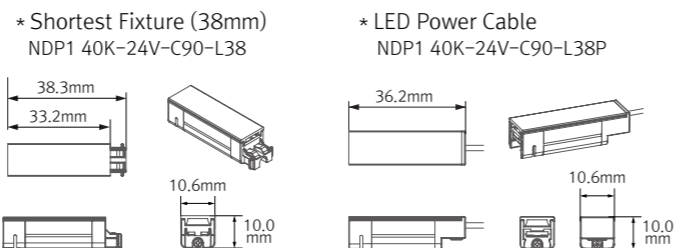
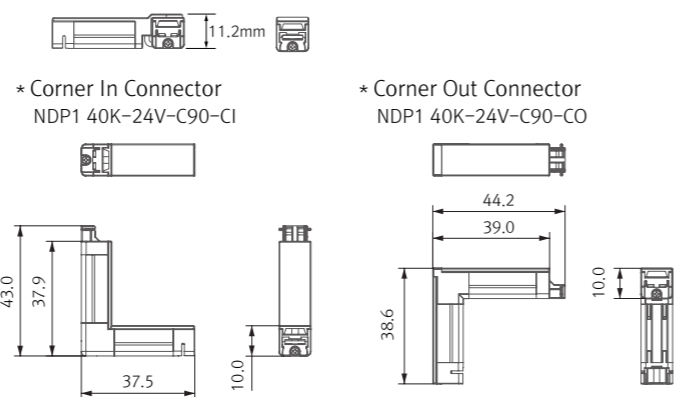
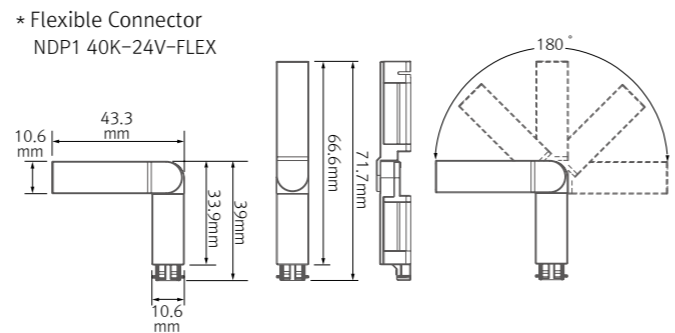
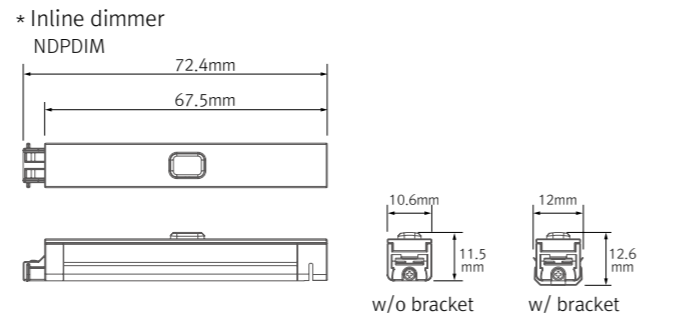
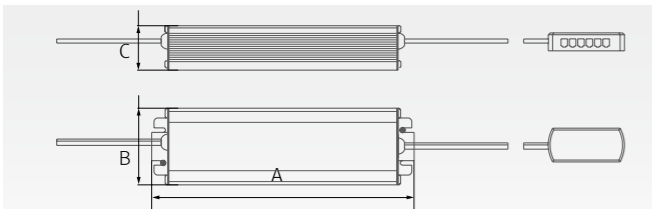
Model Name	Power Input (V)	Lamp Power (W)	A (mm)	B (mm)	C (mm)	D (mm)	E (mm)	F (mm)	G (mm)
NDP140K-24V-C90-L38	DC 24	.5	33	38	55	11.6	11.2	10.6	10
NDP1 40K-24V-C90	DC 24	1.2	95	100	117	11.6	11.2	10.6	10
NDP340K-24V-C90	DC 24	2.4	188	193	210	11.6	11.2	10.6	10
NDP4 40K-24V-C90	DC 24	3.6	279	284	301	11.6	11.2	10.6	10
NDP7 40K-24V-C90	DC 24	7.1	559	564	581	11.6	11.2	10.6	10
NDP1140K-24V-C90	DC 24	10.8	838	843	860	11.6	11.2	10.6	10
NDP1540K-24V-C90	DC 24	14.4	1,117	1,122	1,139	11.6	11.2	10.6	10



Model Name	A (mm)	B (mm)	C (mm)
FLC30-24V/T	150	41	31
FLC75-24V-P/T	180	60	32



Model Name	A (mm)	B (mm)	C (mm)
FLC200-24V/T	228	68	39



Accessories

- Ⓐ Connecting c cables/(Between FLX Stix NDPro & FLX Stix NDPro)**

NDPPTC	NDPPTC1	NDPPTC2	NDPPTC4	NDPPTC6
150mm(6inch)	300mm(1feet)	600mm(2feet)	1,200mm(4feet)	1,800mm(6feet)

* Available Color : Black, Gray
- Ⓑ Power cable : NDPPC (2,500mm/4,000mm)**

Power cable (Between FLX Stix NDP & 12-way distributor)

* Available Color : Black, Gray
- Ⓒ LED Power cable : NDP1 40K-24V-C90-L38P**

Fixture (36mm)

Power cable (2,500mm)
- Ⓓ Mounting bracket : NDP-BRACKET1**

NDP-BRACKET1(A) : 1set = 2pcs

NDP-BRACKET1(B) : 1set = 3pcs
- Ⓔ Angle bracket (15° & 40°) : NDP-BRACKET2**

NDP-BRACKET2(A) : 1set = 2pcs

NDP-BRACKET2(B) : 1set = 3pcs
- Ⓕ Connecting Bracket : NDP-BRACKET3**

Included in fixture
- Ⓖ Power Bracket : NDP-BRACKET4**

Included in NDPPC and NDPPTC
- Ⓗ Sidefeed for seamless extension (3W) : NDP3 40K-24V-C90-S**

The dimension is the same as NDP3 40K-24V

Powered only through cable, no power supply on the input connector
- Ⓘ Flexible Connector : NDP1 40K-24V-C90-FLEX**
- Ⓛ Corner In Connector : NDP1 40K-24V-C90-CI**
- Ⓚ Corner Out Connector : NDP1 40K-24V-C90-CO**
- Ⓛ End cap : NDP-CAP**

Included in fixture
- Ⓜ LED Driver with 12way distributor, with power cord (1800mm)**

Part No	FLC30-24V/T	FLC75-24V-P/T
Capacity	30W 24V	75W 24V
- Ⓝ LED Driver : FLC200-24V/T (200W DC24V)**

LED Driver With 12way distributor
- Ⓞ Dimming Interface (1-10V) : FDC-L10**

Max. 100W (100W/CH, 1CH)
- Ⓟ Dimming Interface(0-10/1-10,DMX512)**

FDA-L2M0 : Max. 200W (100W/CH, 2CH)

FDA-L5M : Max. 200W (50W/CH, 5CH)
- Ⓠ Dimming Interface (Dali) : FDD-L1DA**

Max. 200W (100W/CH, 1CH)
- Ⓡ Occupancy Sensor : NDP-OSM**

NDP Occupancy Sensor Inline Module
- Ⓢ Inline dimmer : NDPDIM**

Max 55W in a row
- Ⓣ Door and motion detection sensor : FLS-M24V**

Voltage : DC 24V
- Ⓤ Human-body detection sensor : FLS-P24V**

Voltage : DC 24V

