

# PRODUCT REVIEW OF CURRENT COLLECTING TROLLEY 4+5 POLES / 40A

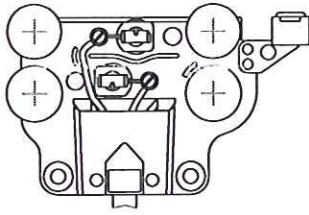


Fig. 1  
Current collecting trolley KSL  
40A / 5-poles  
new version

Caused by our permanent product improvement the collecting trolley KSL 40A/80A/120A in 4- and 5-poles version has been revised.

To avoid the problem of the running edges at the contact carbons we have changed the form of the contact carbons and due to that the attachment in the cable trolley-centre part. The carbons have become more narrow and longer so that the permanent contact with the copper profile is granted for the complete surface.

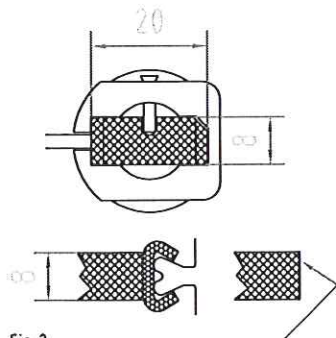


Fig. 2  
New version of the contact carbon  
Even with wear of the carbon the contact surface stays plain

New version of the contact carbon:

In fig. 2 it can be seen that even after wear of the carbon the contact surface is still plain. The narrow version of the carbon grants a permanent contact on the whole surface even with slightly deviating guidance.

Previous version of the contact carbon:

In fig. 3 it can be seen that after wear of the carbon the contact surface shows distinctive edges. The uneven contact surface in some cases can lead to so called "edge runners". When this edge is running on the conductor rail the permanent contact between conductor rail and carbon is not granted any more.

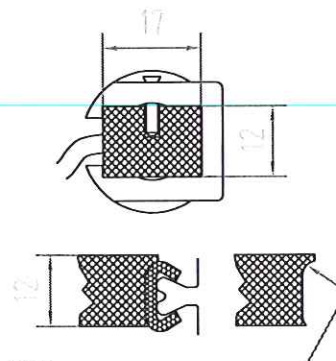


Fig. 3  
Old version of the contact carbon  
Due to wear of the carbon there is a visible running edge

Table 1

Current collecting trolley 40A		
Number of poles	Old article number <small>(cannot be delivered any more)</small>	New article number
4	54 11043	54 13124
5	54 11044	54 13125
5x	54 11045	54 13126

x For KSL-75, 5 poles, with earth conductor on top.

Table 2

Current collecting trolley 80A		
Number of poles	Old article number <small>(cannot be delivered any more)</small>	New article number
4	54 11055	54 13129
5	54 11056	54 13130
5x	54 11057	54 13131

x For KSL-75, 5 poles, with earth conductor on top.

Table 4

Contact carbons	
Previous version	New version
Phase Art. no. 54 90003	Phase Art. no. 54 60016
earth conductor Art. no. 54 90002	earth conductor Art. no. 54 60015

The previous version of the contact carbons is still available

Table 3

Current collecting trolley 120A		
Number of poles	Old article number <small>(cannot be delivered any more)</small>	New article number
4	54 11058	54 13132
5	54 11059	54 13133
5x	54 11060	54 13134

x For KSL-75, 5 poles, with earth conductor on top.

INFO! The new versions of the contact carbons in the current collecting trolley 4+5 poles / 40A are identical to the contact carbons of the current collecting trolley 6+7 poles / 40A



STEMMANN –  
TECHNIK

GMBH