

Heatsink

| Standard lengths | n | b / d Ø mm | R_{thha} | R_{thha} | w kg |
|------------------|---|---------------|------------------------|------------------------------|---------|
| | | | natural cooling K/W | with Fan SKF 3-230-01 K/W | |
| P 3/120 | 1 | 20 | 0,55 (100W) | 0,167 | 2,1 |
| | 3 | | 0,43 (150W) | 0,147 | |
| | 6 | | 0,36 (180W) | 0,12 | |
| P 3/180 | 2 | 20 | 0,39 (150W) | 0,132 | 3,1 |
| | 3 | | 0,36 (180W) | 0,108 | |
| | 6 | | 0,33 (200W) | 0,144 | |
| P 3/300 | 1 | 34 | | 0,118 | 5,3 |
| | 3 | | | 0,0847 | |
| | 6 | | | | |

For isolated power modules

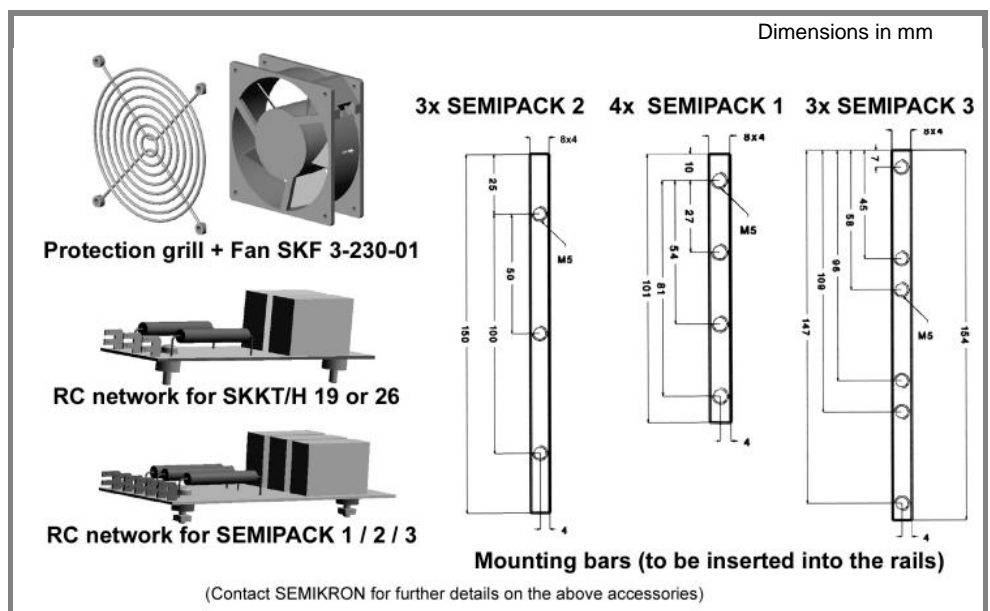
P 3

Features

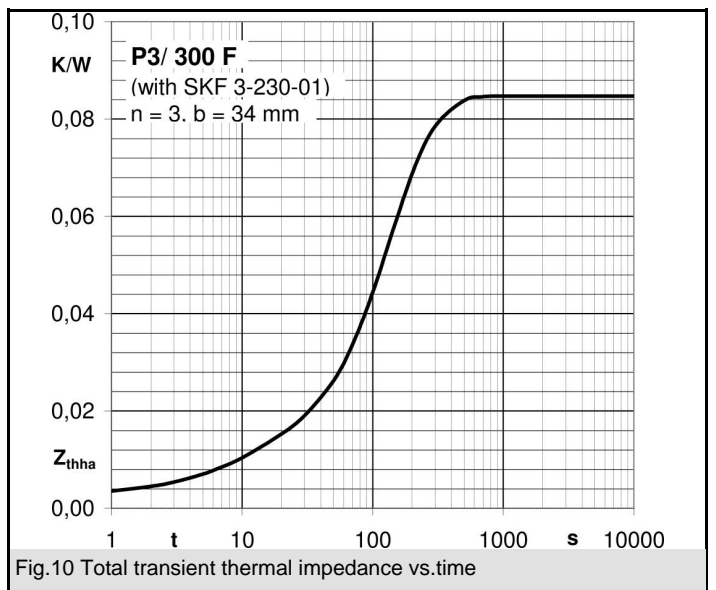
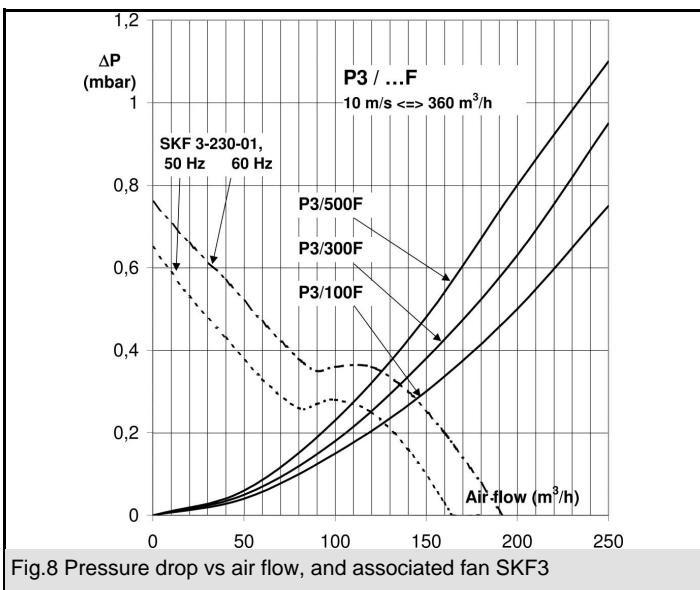
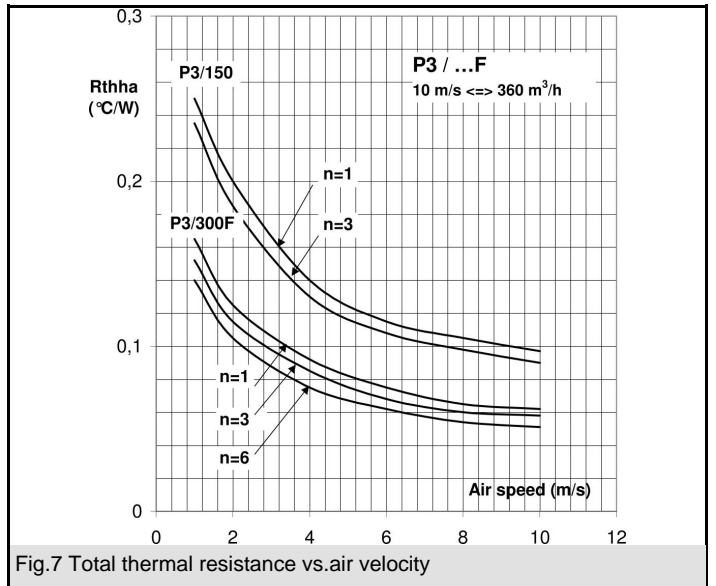
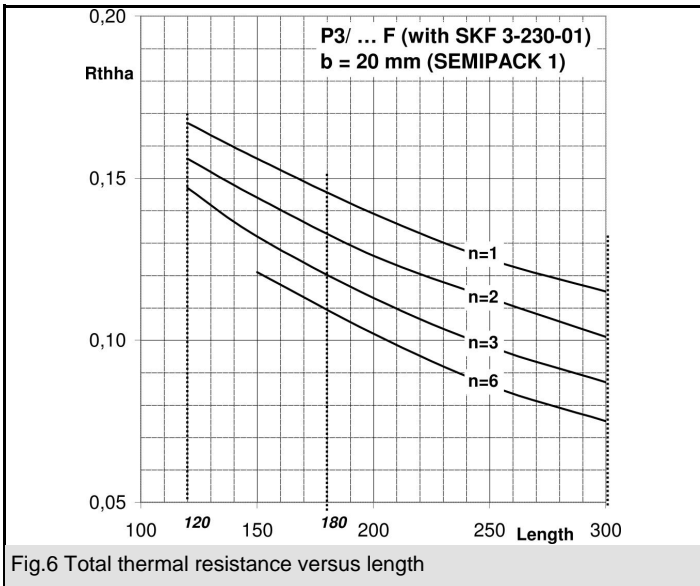
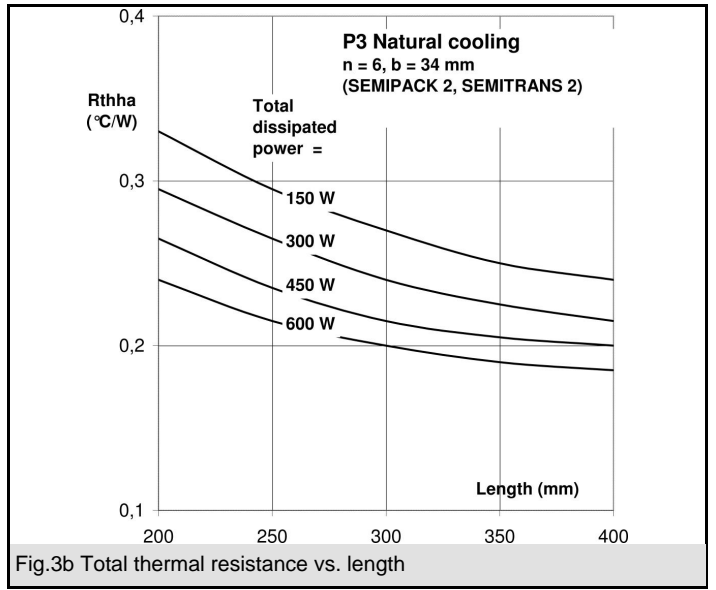
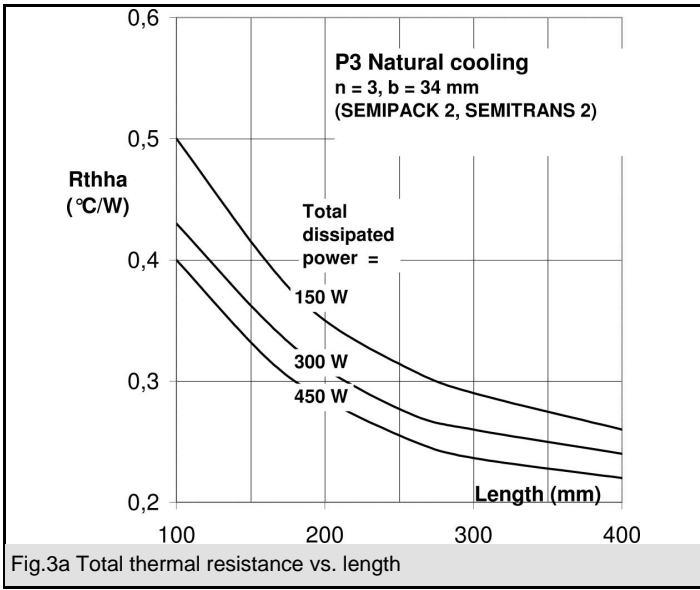
- Intended for isolated power modules, SEMIPACK (1 to 4) and SEMITRANS 2 range
- Integrated rails allow for easy mounting of the modules
- Available in various lengths
- Best fitted fan : SKF 3-230-01
- Mounting bar rails available (see sketches)



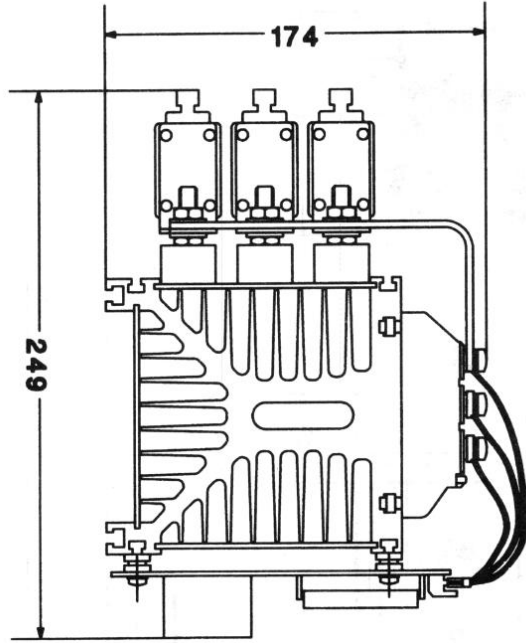
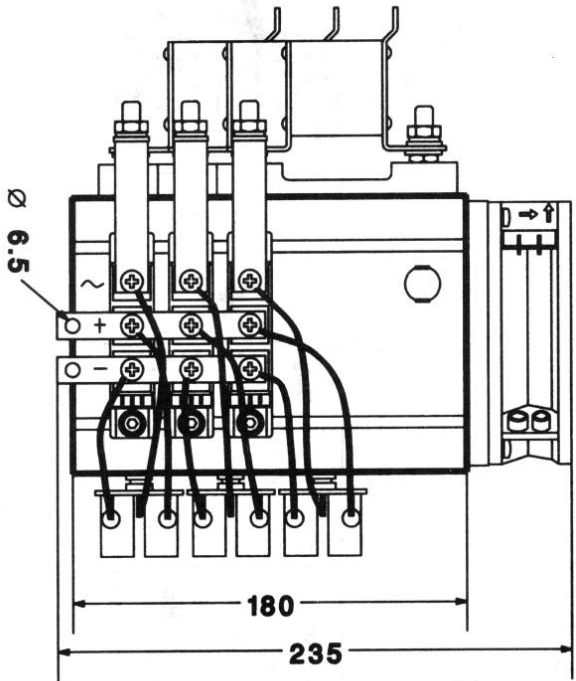
P3 general profile dimensions (w = 17,6 kg/m)



P 3 standard accessories



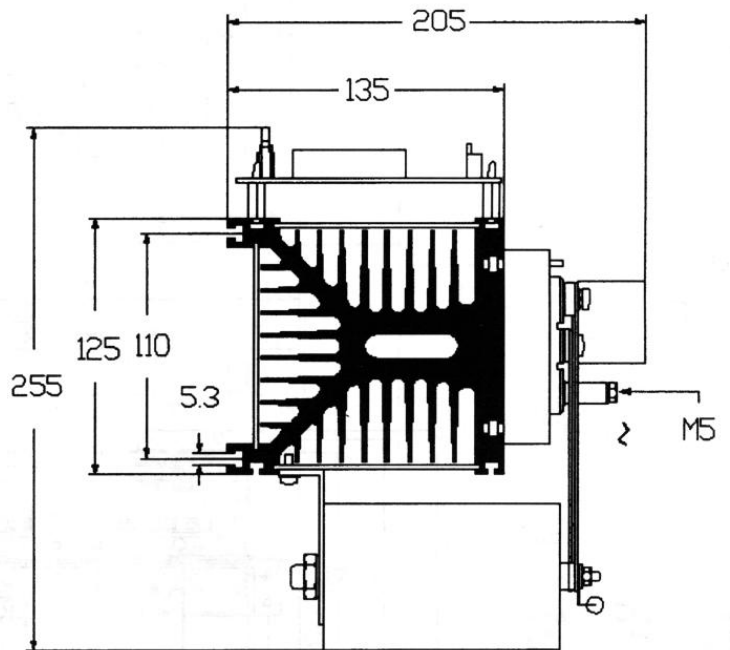
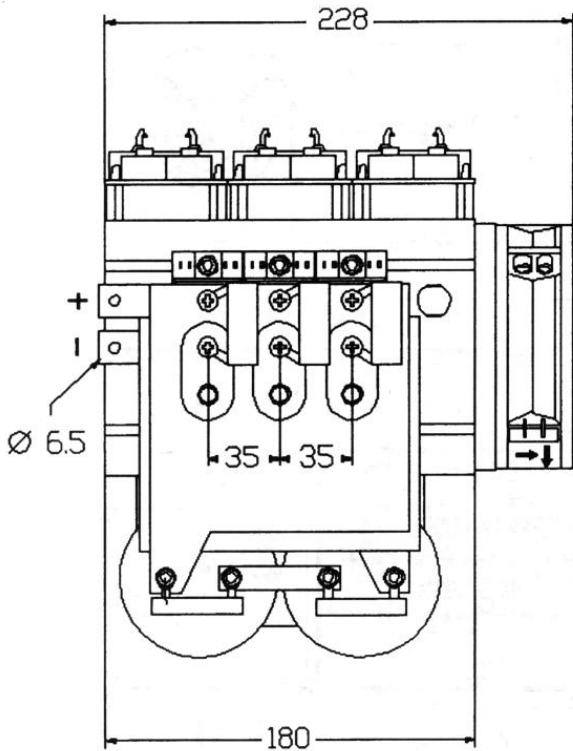
P3/180 F



This figure shows all available options

1. Application example using heatsink P 3/180 and SEMIPACK modules to give a three phase bridge

P3/180



2. Application example using SEMITRANS modules to give a B6CI configuration