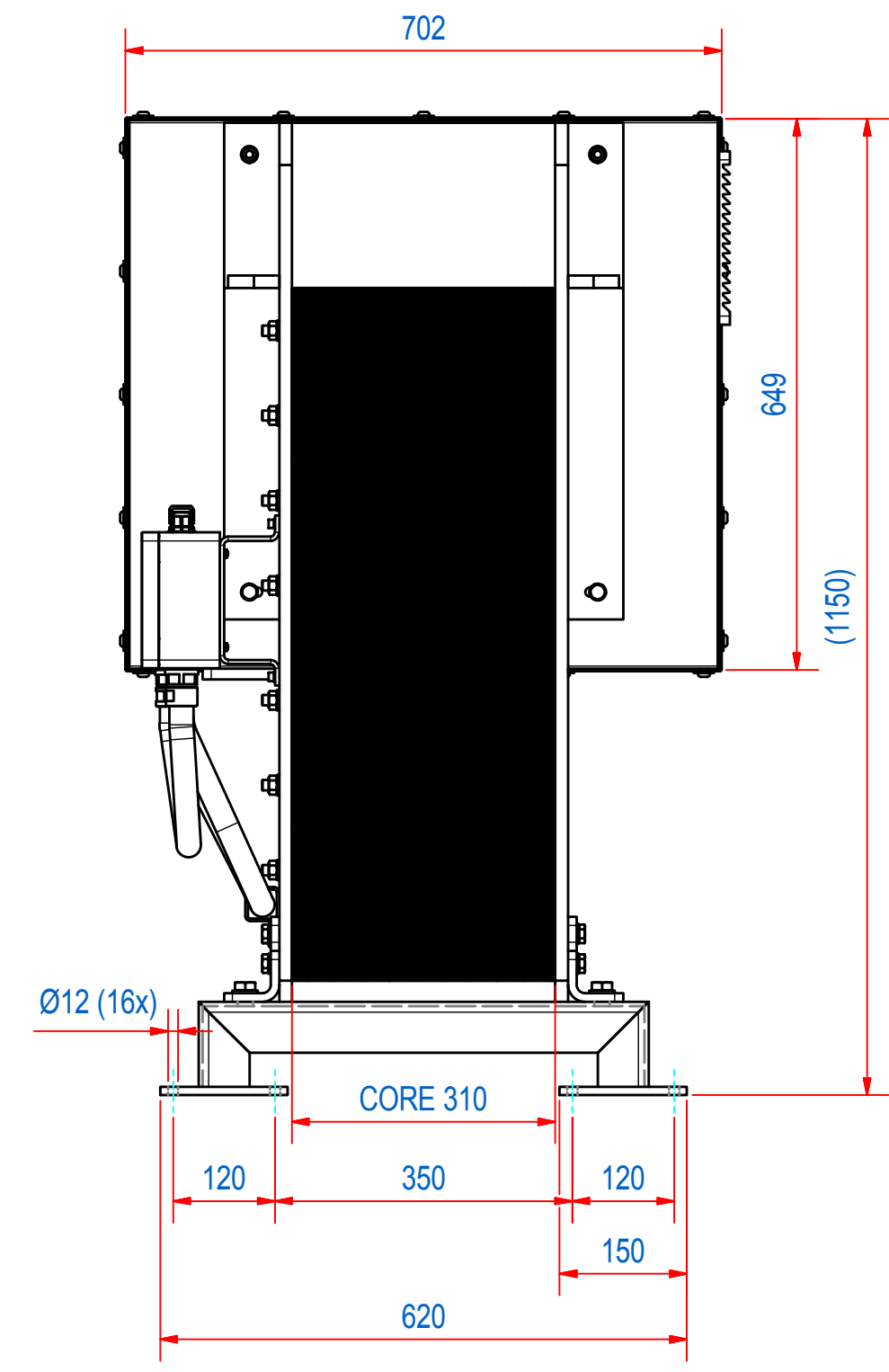
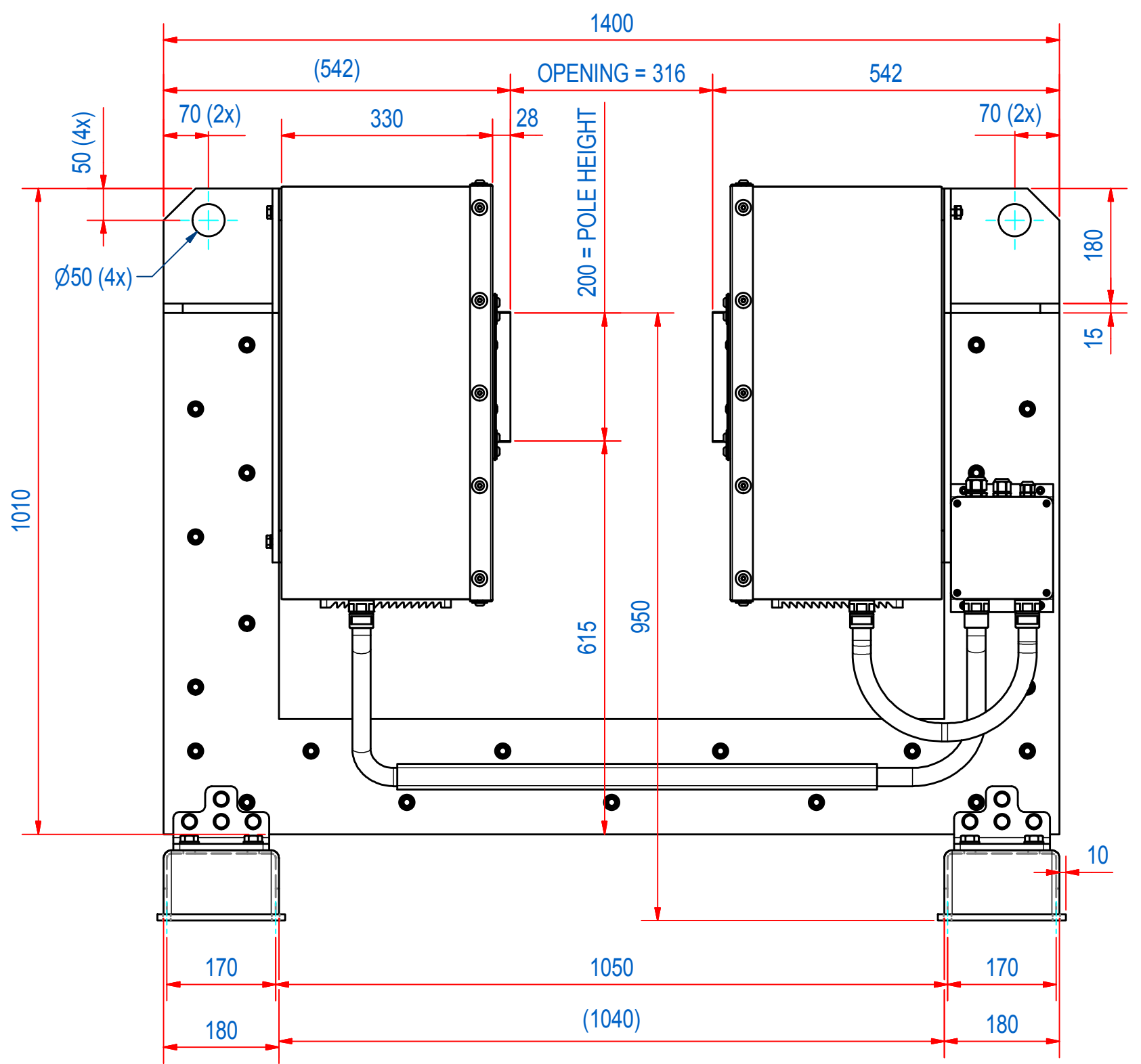
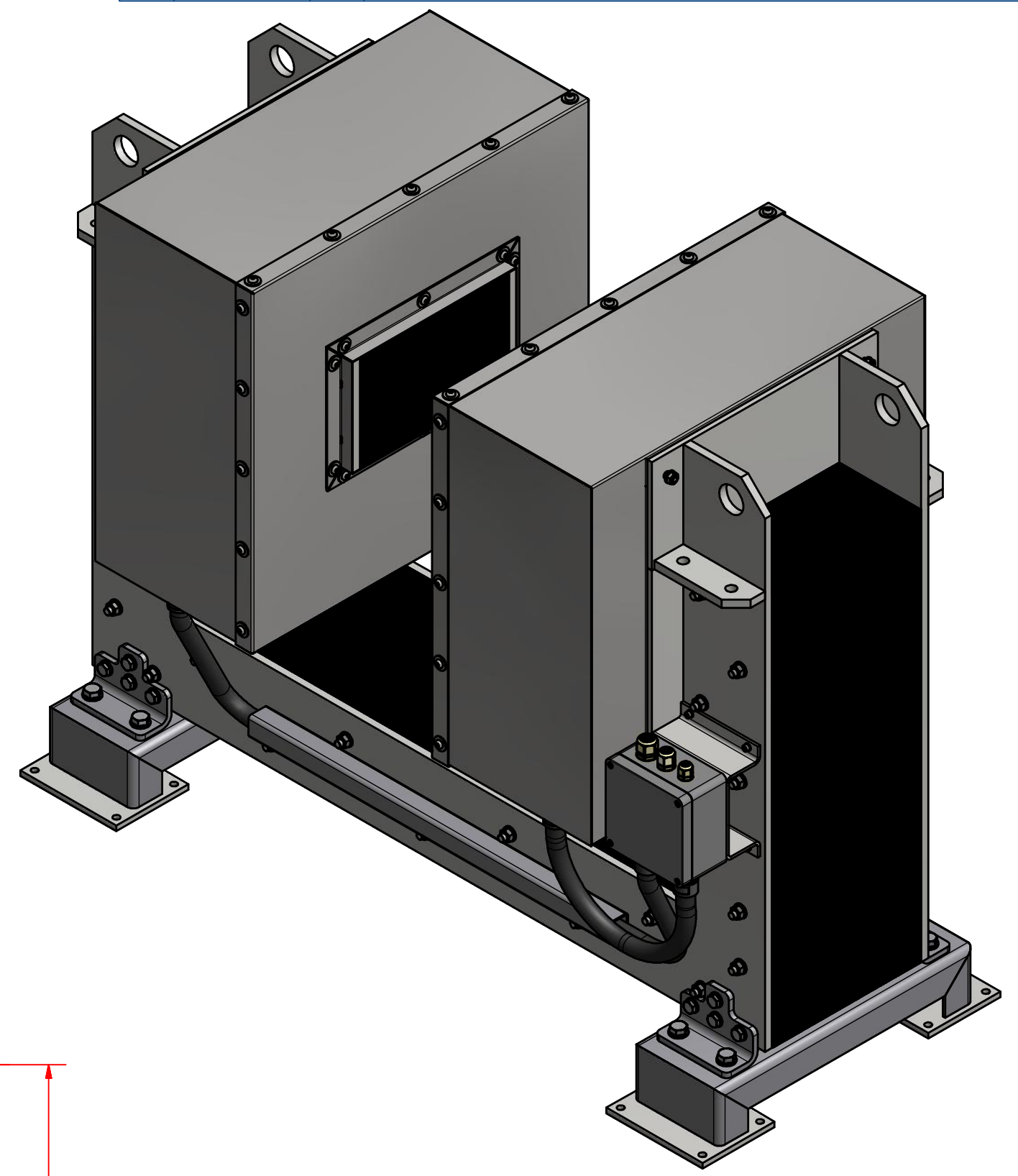
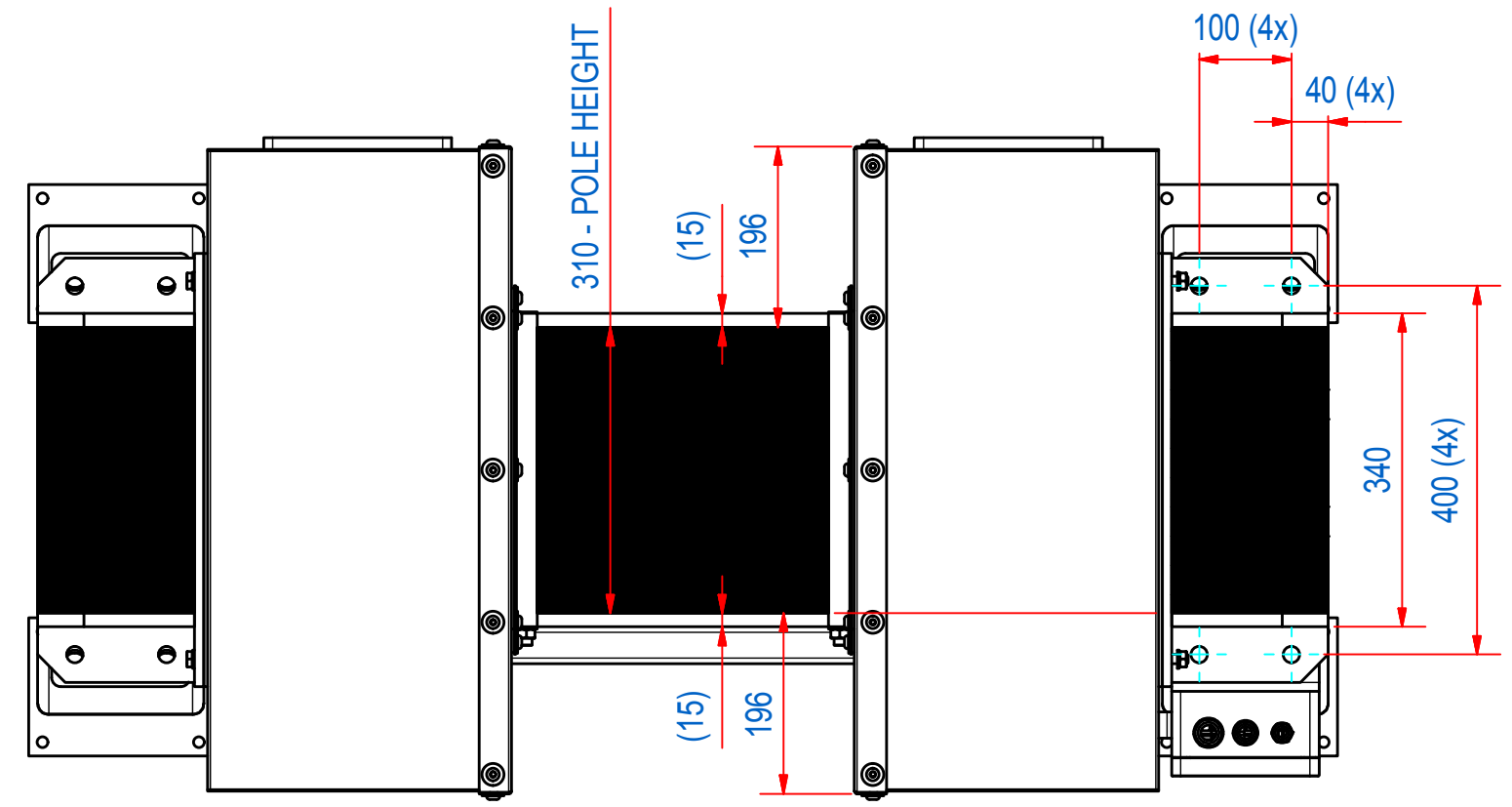


REV	DATE	BY	DESCRIPTION
-	15-6-2015	AvD	NEW REVISION VAULT, NOTHING CHANGED, OLD REV WAS C
A	15-6-2015	AvD	DESCRIPTION CHANGED (11 kW)



ITEM	QTY	PART NUMBER	DESCRIPTION	Dimensions
1	1	M59379	ASSEMBLY DRAWING SPSR	
RAW MAT.	1			LENGTH (mm) WIDTH (mm)
Sheet: A2		Extra info: RICHTMAGNEET MK25		General tolerance: ISO 2768 - mK
Drawn: AvD	Weight (kg): 2143,7	Drawn according: ISO268; ISO1101; ISO2553		Status: Released
Date: 15-6-2015	Spare part: False		Customer reference number:	Doc.Rev: A
Quick search: SPSR	Description: NAIL DIRECTOR MK25, 11 kW		Document number: E0036173	Part number: SPSR250009
			Doc.Rev: A	Rev: A



© All rights reserved. Reproduction is not permitted without written permission of GOUDSMIT Magnetic Systems BV