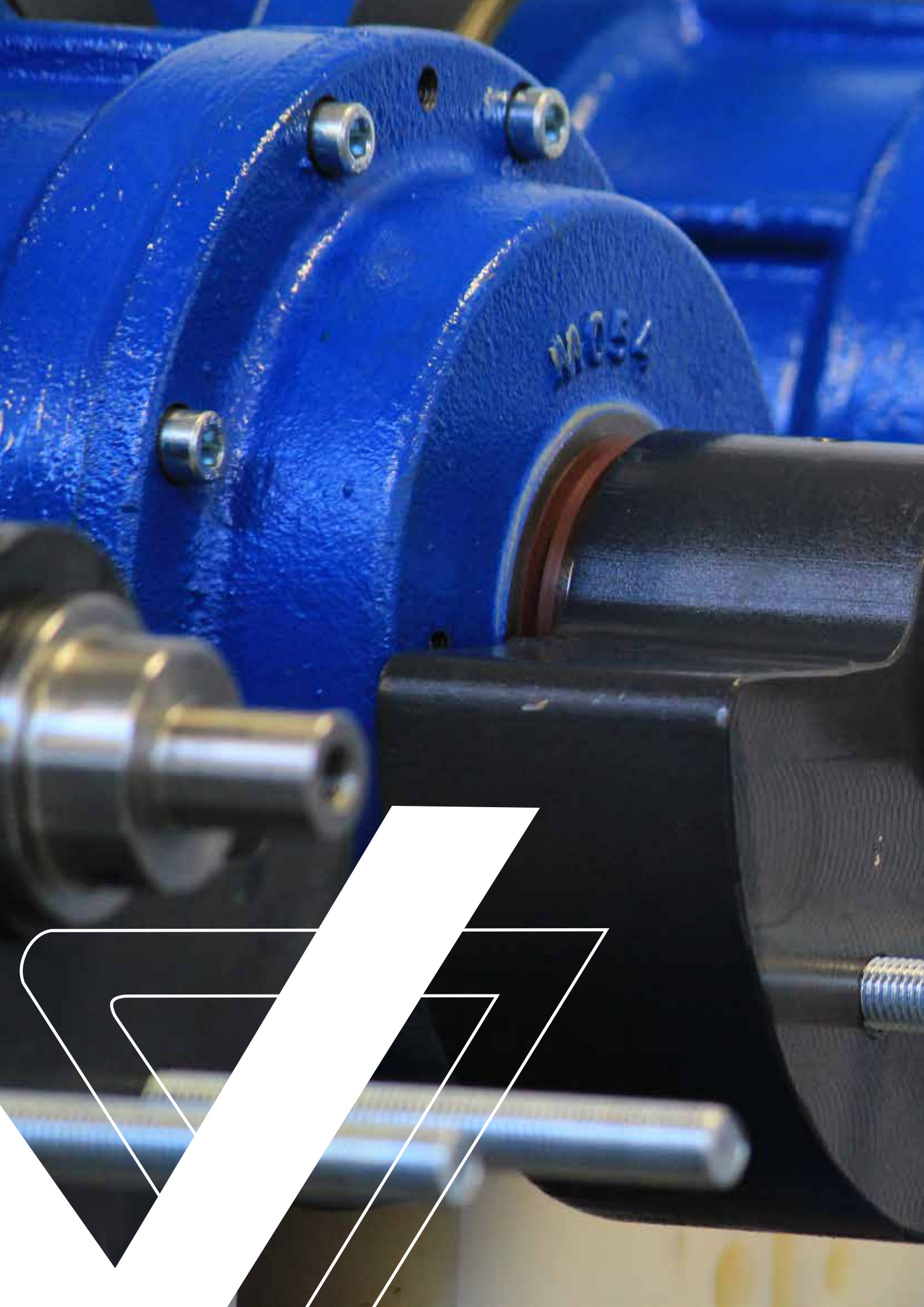


VISAM MOTOVIBRATORS

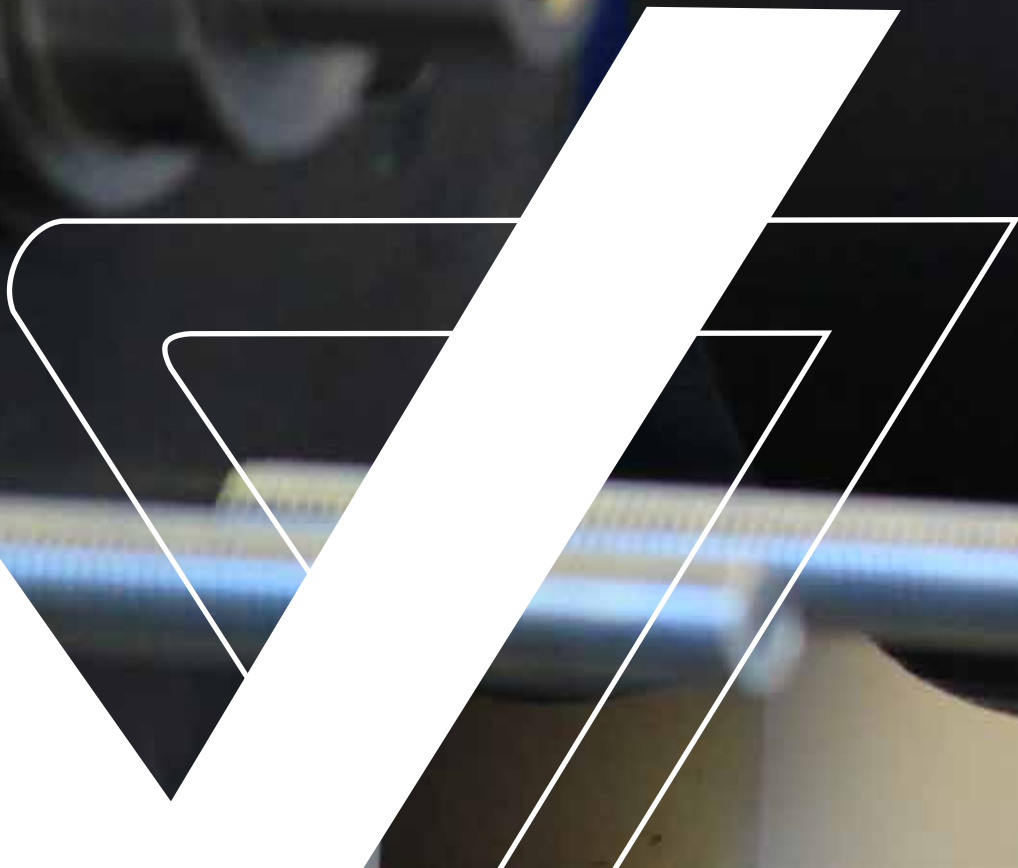


DESIGNED TO MEET YOUR NEEDS





10054





Intro

Company profile	4
Technical features	6
Standard specifications	7
The VISAM vibrator range	8
Certifications	9
How to choose a motovibrator	10

SP range

Micro	12
2 poles single phase	13
2 poles three phase	14
4 poles	16
6 poles	18
8 poles	20

Customization

Customizations	22
----------------	----



DESIGNED TO MEET YOUR NEEDS

Since 1994 we have been striving to improve our products, service and technical support in order to meet our customers' demand and achieve their satisfaction and fidelity. Since 2013 Visam is part of OLI Group, the worldwide leader in vibration technology.



VISAM is dedicated to the design, manufacturing and marketing of electric vibrators for industrial applications. Since the beginning, our goal is to offer the market **a product suitable for the most demanding applications, requiring high performance and reliability.**

Our attention is focused on the quality of materials and components, the accuracy and precision of processing and finishing, and multiple controls from raw materials to final testing of the product.

Thanks to this, VISAM has today a broad presence on all major world markets and exports exceed 80% of its production.





OUR FOCUS

TECHNICAL APPROACH



Visam identifies the most effective solution starting from the technical and applicational needs of the customer.

PRE-SALES CONSULTANCY



Experience, vast knowledge of applications for each industry sector, technical expertise: this allows Visam to have a technical approach to the customer, that is listened to and supported from the first contact.

CO-ENGINEERING



Customized projects and shared stages of development; Visam drives the customer to highly effective custom solutions.



Standard specifications

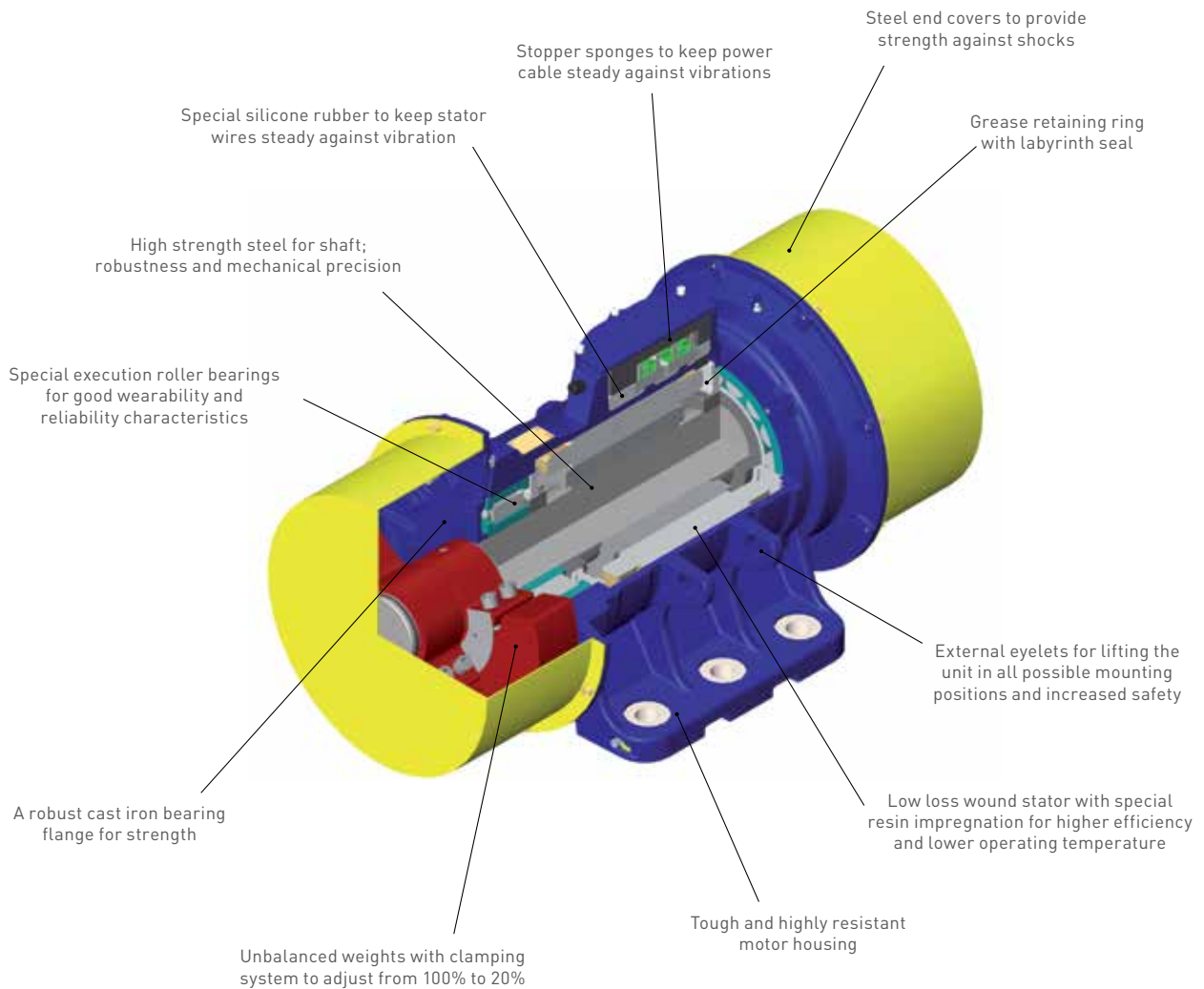
Specification	SPX / SPV
Power supply	Three-phase from 42 up to 700 V at 50 and 60 Hz; Single-phase from 110 up to 240 V at 50 and 60 Hz. Perfect performance under inverter control (VFD)
Time rating	Continuous at maximum Centrifugal Force (S1)
Range	2, 4, 6, 8, 10, 12 poles & specials
Mechanical protection	IP 66
Impact protection	IK 10
Insulation class	F standard • H on request
Coating colour	Powder coated blue RAL 5010 (body) / yellow RAL 1003 (mass covers)
Installation and operating environment	From -20° up to +40° C
Thermal protection	Standard (thermistor 130° C) from size 10. Up to size 9 on request
Centrifugal force	From 30 kg up to 22.800 Kg. Continuous adjusting from 100% to 20% (standard supply: setting at 80%)
Tropicalization	Standard
Lubrication	Greased for life up to size 4. Long life span greasing from size 4.1 upwards.
Mounting position	Any position
Testing	All units undergo a dynamic test-run (with unbalanced weights) before leaving the factory

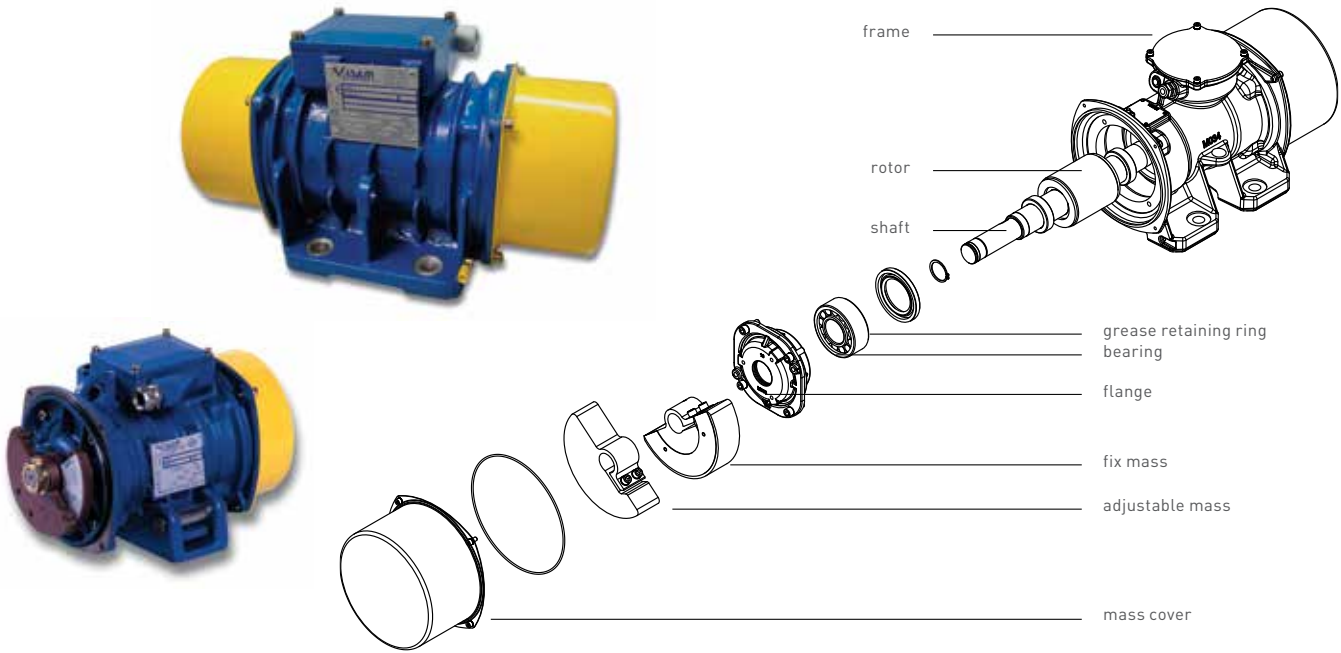


THE VISAM VIBRATORS RANGE









Model	Poles	Centrifugal Force (kg)	Voltage Class (V)	Speed at 50Hz/ 60Hz (rpm)	Input Power (kW)
SPV SPX SPEx*	2	65 - 9,550	Three-phase from 42 up to 700 V at 50 and 60 Hz.	3,000 - 3,600	0.11 - 9.5
	4	30 - 13,000	Single-phase from 110 up to 240 V at 50 and 60 Hz.	1,500 - 1,800	0.08 - 11
	6	120 - 22,800		1,000 - 1,200	0.24 - 20.5
	8	150 - 22,200	Perfect performance under inverter control (VFD)	750 - 900	0.28 - 14.5

* available on request





Certifications

Range	Certifications	Category	Type of protection	Temperature rating	Directive
SPX SPV	   	-	-	-	European Directives: <ul style="list-style-type: none"> • 2006/42/CE (Machine) • 2014/35/UE (Low Voltage) • 2002/95/CE (Rohs)
SPEx	   zone 21	Ex II 2D	Ex tb IIIC T140 °C Db	140 °C	European Directives: <ul style="list-style-type: none"> • 2006/42/CE (Machine) • 2014/35/UE (Low Voltage) • 2014/34/UE (Atex) • 2002/95/CE (Rohs)
	 zone 22 and 2	Ex II 3 GD	Ex nAc II T3 Ex tc IIIC T140 °C	T3 140 °C	



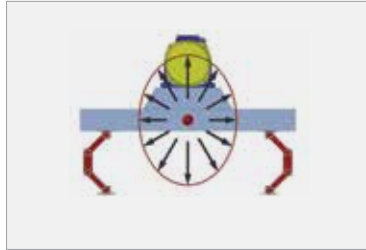
Recommendations for the selection of the vibrator

TYPES OF VIBRATION



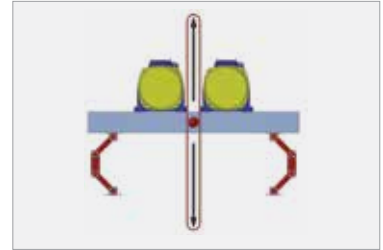
CIRCULAR

1 electric vibrator positioned near the mass center of the equipment



ELLIPTICAL

1 electric vibrator positioned distant from the mass center of the equipment

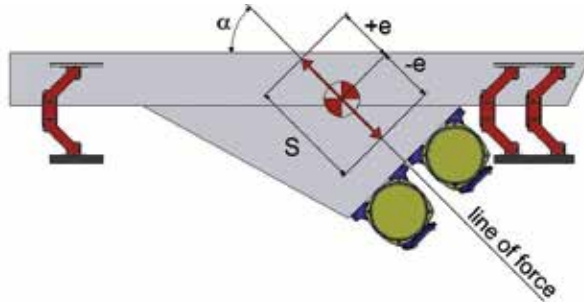


LINEAR

2 electric vibrators (counter-rotating) positioned so that the line of force goes through the mass center of the equipment

GENERAL FORMULA AND LEGENDA

The functioning of vibratory equipment is the result of a specific know-how and experience. It is recommended that only specialized manufacturers make all necessary evaluations and relevant calculations. For a preliminary evaluation of the vibrator model suitable for an application, we report here some formulas to be considered only as not-binding indications.



S = stroke (mm) = $e \times 2$

α = line of force angle from horizontal (°)

n = number of vibrating motors

e = amplitude of vibration 0-peak (mm)

$$e = 5 \times \frac{n \times W_m}{n \times M_{MOT} + M_{VM}}$$

W_m = working moment (kgcm)

$W_{m_{TOT}}$ = total working moment (kgcm)

$$W_{m_{TOT}} = \frac{M_{TOT} \times e}{5}$$

M_{MOT} = motor weight (kg)

M_{VM} = vibrating machine weight (kg)
without material and motors

$$M_{TOT} = M_{VM} + M_{MOT} \times n$$

M_{TOT} = total vibrating machine weight (kg)
without material

a = acceleration (G)

$$e \times \frac{rpm^2}{900,000}$$

EXAMPLE OF SIZING

1.

Given data on equipment and process

Type of process / vibration: primary feeder / linear vibration
 Weight of equipment (We): 1,500 kg
 Feeding Frequency: 50 Hz
 Speed / Poles: 1,000 rpm / 6 Poles
 Requested stroke of vibration (S): 8.0 mm

2.

Calculations

Eccentricity (e): $S / 2 \rightarrow 8,0 / 2 = 4,0$ mm
 Weight of vibrators estimated (Wvt): .. 20-25% of equipment weight $\rightarrow 25\%$ of 1,500 kg = 375 kg
 Total equipment weight (Wt): $We + Wvt$ (estimated) $\rightarrow 1,500 + 375 = 1,875$ kg
 Total Working moment (Wm): $(M_{TOT} \times e \times 2) / 10 = \text{kgcm} \rightarrow (1,875 \times 4.0 \times 2) / 10 = 1,500$ kgcm
 Working Moment of vibrator (SMv): $Wm_{TOT} / 2 \rightarrow 1,500 / 2 = 750$ kgcm

3.

Selection and checking

When selecting the vibrator model, it is advisable to use, for all further calculations, the 80% of the value of Static Moment (SMv). Therefore, 80% of the relevant Centrifugal Force (CFv), in order to have an operative safety margin of 20%.

In the Catalogue section "6 poles - 50 Hz - 1,000 rpm", we must identify a model that is 80% of the setting that will grant a value of Static Moment (SMv) the closest possible to the value required:

SPX 41.5 C

$M_{VM} = 1,500$ kg
 $n = 2$ (linear motion)
 $Wm = 860$ kgcm @ 100%
 688 kgcm @ 80%
 $M_{MOT} = 200$ kg

$$e = 5 \times \frac{2 \times 688}{2 \times 200 + 1,500} = 3.6 \text{ mm}$$

$$a = 3.6 \times \frac{1,000^2}{900,000} = 4 \text{ G}$$

SPV 50.0 C

$M_{VM} = 1,500$ kg
 $n = 2$ (linear motion)
 $Wm = 1,020$ kgcm @ 100%
 816 kgcm @ 80%
 $M_{MOT} = 242$ kg

$$e = 5 \times \frac{2 \times 816}{2 \times 242 + 1,500} = 4.1 \text{ mm}$$

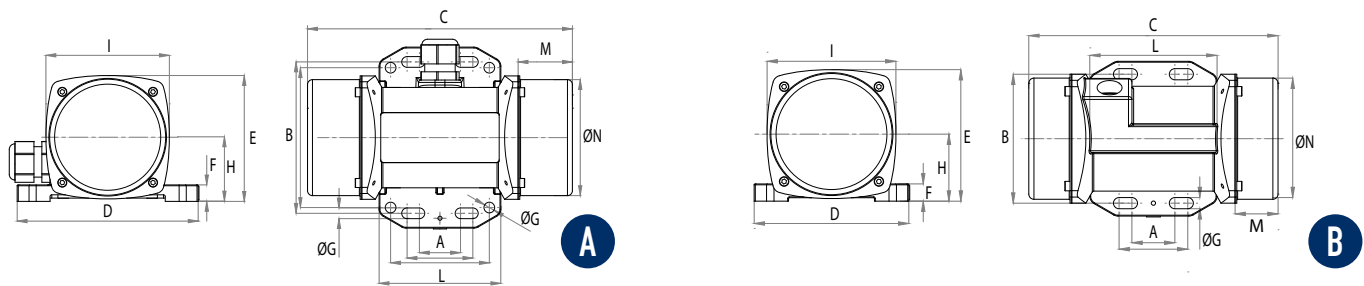
$$a = 4.1 \times \frac{1,000^2}{900,000} = 4.6 \text{ G}$$



MICRO

3,000/3,600 rpm

Wm (kgcm)		Model		Centrifugal Force (kg)		Weight (kg)		ELECTRICAL SPECIFICATIONS					CERTIFICATE		
								Input Power (kW)		Nominal Current A max			Cable Gland	For 60Hz	For 50Hz
50Hz	60Hz	50Hz	60Hz	50Hz	60Hz	50Hz	60Hz	50Hz (230V)	50Hz (400V)	60Hz (460V)	Metric	Class II Div.2	II3D		
		THREE-PHASE													
0.40	0.40	MICRO 21		20	29	2		0.04	0.04	0.16	0.12	0.12	M16	T4	100°C
0.90	0.90	MICRO 41		45	65	2.4		0.06	0.06	0.30	0.18	0.18	M16	T4	100°C
		SINGLE-PHASE													
0.08	0.08	MICRO 3 M		4	6	1.6		0.03	0.04	0.30	-	0.80	M16	T4	100°C
0.12	0.12	MICRO 6 M		6	9	1.6		0.03	0.04	0.30	-	0.80	M16	T4	100°C
0.40	0.40	MICRO 21 M		20	29	2		0.04	0.07	0.20	-	0.80	M16	T4	100°C
0.90	0.90	MICRO 41 M		45	65	2.4		0.05	0.07	0.25	-	0.80	M16	T4	100°C



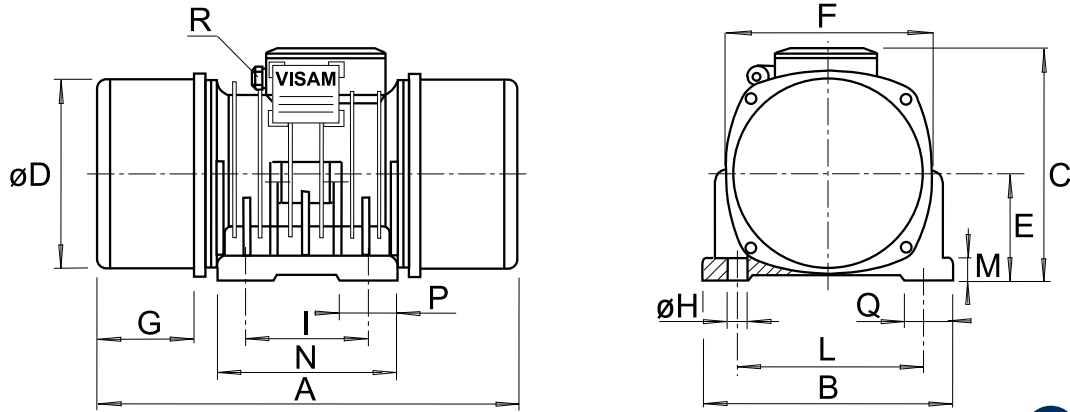
Model		Drawing	DIMENSIONAL SPECIFICATIONS (mm)												
			C	M	A	B	ØG	Holes	D	E	F	H	I	L	N
50Hz	60Hz		50Hz	50Hz											
THREE-PHASE															
MICRO 21/3		A	145	25	Multiple Footprint 25-40 92 6.5 60 85 6.5			4	110	76.5	10	39	75	74	70.5
MICRO 41/3		A	161	33	Multiple Footprint 25-40 92 6.5 60 85 6.5			4	110	76.5	10	39	75	74	70.5
SINGLE-PHASE															
MICRO 3/3 M		A	145	25	Multiple Footprint 25-40 92 6.5 60 85 6.5			4	110	76.5	10	39	75	74	70.5
MICRO 6/3 M		B	145	25	Multiple Footprint 25-40 75 6.5 - - -			4	90	76.5	10	39	75	74	70.5
MICRO 21/3 M		A	145	25	Multiple Footprint 25-40 92 6.5 60 85 6.5			4	110	76.5	10	39	75	74	70.5
MICRO 41/3 M		A	161	25	Multiple Footprint 25-40 92 6.5 60 85 6.5			4	110	76.5	10	39	75	74	70.5

NOTE: Capacitor integrated in the cable

To convert kg into Newton: $N = 9.81 \cdot kg$

SPV / SPX 2 POLES SINGLE-PHASE

3,000/3,600 rpm



1

Wm (kgcm)		Model		Centrifugal Force (kg)		Weight (kg)		ELECTRICAL SPECIFICATIONS								
50Hz	60Hz	50Hz	60Hz	50Hz	60Hz	50Hz	60Hz	Input Power (kW)		Nominal Current A max.				Ia / In		Cable Gland
50Hz	60Hz	50Hz	60Hz	50Hz	60Hz	50Hz	60Hz	50Hz	60Hz	50Hz	60Hz	50Hz	60Hz	50Hz	60Hz	Metric
1.3	0.9	SPX-50 0.7 AM	SPX-60 0.7 AM	65	65	5	4.9	0.11	0.11	-	0.5	-	1.0	2.0	2.5	M16X1.5
2	1.3	SPX-50 1.2 AM	SPX-60 1.2 AM	100	94	5.2	5	0.17	0.18	-	0.8	-	1.6	2.0	2.5	M16X1.5
4.4	3.4	SPX-50 1.8 AM	SPX-60 1.8 AM	220	240	6	6.3	0.18	0.22	-	0.8	-	1.7	2.0	2.5	M16X1.5
6.6	4.4	SPV 2.7 AM	SPV 2.7 AM	330	320	9	8.5	0.3	0.33	-	1.4	-	3.0	3.0	3.5	M16X1.5
10	8	SPV 4.5 AM	SPV 4.5 AM	500	580	15.5	15	0.5	0.7	-	2.5	-	7.0	3.0	3.5	M20X1.5
16	12	SPV 7.0 AM	SPV 7.0 AM	800	870	20.5	20	0.65	0.8	-	3.5	-	7.7	4.0	4.0	M20X1.5
20	13	SPV 9.0 AM	SPV 9.0 AM	1,000	965	27.0	25	0.85	0.95	-	4.0	-	8.5	4.0	4.0	M20X1.5
26	16	SPV 12.0 AM	SPV 12.0 AM	1,350	1,200	28.0	27.5	0.95	1.1	-	4.6	-	9.8	4.0	4.0	M20X1.5

Additional fixing holes are produced on request.

Model		Drawing	Size	DIMENSIONAL SPECIFICATIONS (mm)															
50Hz	60Hz			A	B	C	D	E	F	G	Holes Nr.	H	I	L	M	N	P	Q	
50Hz	60Hz		50Hz	60Hz					50Hz	60Hz									
SPX-50 0.7 AM	SPX-60 0.7 AM	1	01.0	214	130	154	92	59	108	47	4	9	62-74	106	15	117	52	35	
SPX-50 1.2 AM	SPX-60 1.2 AM	1	02.0	214	130	154	92	59	108	47	4	9	62-74	106	15	117	52	35	
SPX-50 1.8 AM	SPX-60 1.8 AM	1	02.1	252	130	154	92	59	108	66	4	9	62-74	106	15	117	52	35	
SPV 2.7 AM	SPV 2.7 AM	1	03.0	262	160	175	126	72	140	56	4	13	90	125	15	145	55	50	
SPV 4.5 AM	SPV 4.5 AM	1	04.0	292	194	204	148	86	164	44	4	13	100	155	18	180	50	45	
SPV 7.0 AM	SPV 7.0 AM	1	05.0	336	220	213	168	96	184	54	4	17	115	170	20	200	65	50	
SPV 9.0 AM	SPV 9.0 AM	1	06.0	366	225	233	187	105	200	62	4	17	120	180	20	210	70	50	
SPV 12.0 AM	SPV 12.0 AM	1	06.1	366	225	233	187	105	200	62	4	17	120	180	20	210	70	50	

NOTE: Dimensions with coarse degree of accuracy related to UNI 22768/1

This information is provided without warranty, representation, inducement or licence of any kind. It is accurate to the best OLI knowledge or is obtained from sources believed to be accurate. OLI therefore assumes no legal responsibility.

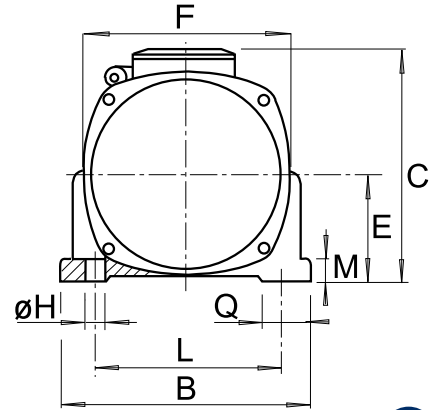
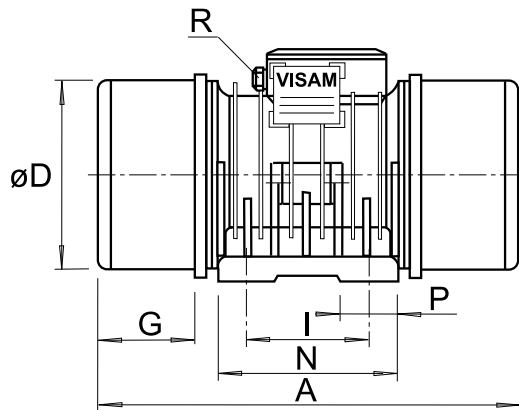
SPV / SPX 2 POLES THREE-PHASE

3,000/3,600 rpm

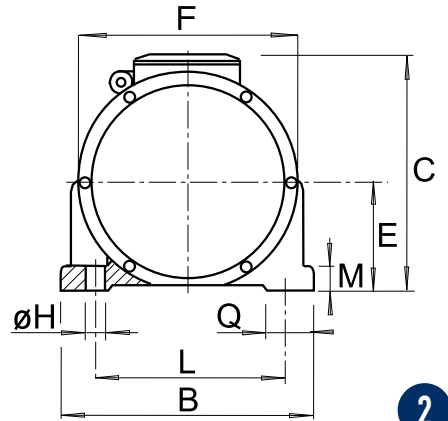
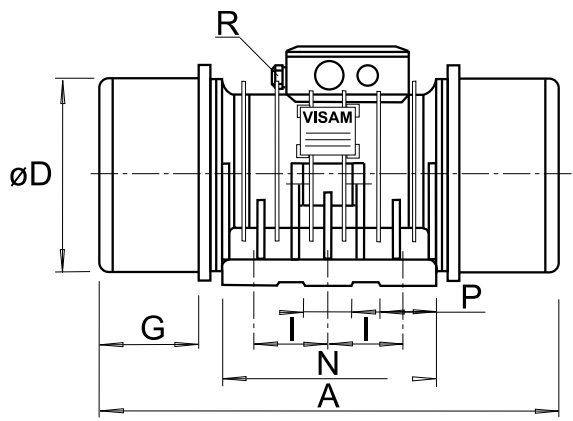


Wm (kgcm)		Model		Centrifugal Force (kg)		Weight (kg)		ELECTRICAL SPECIFICATIONS								
50Hz	60Hz	50Hz	60Hz	50Hz	60Hz	50Hz	60Hz	Input Power (kW)		Nominal Current A max.				Ia / In		Cable Gland
								50Hz	60Hz	Δ 50Hz	Y 50Hz	Δ 60Hz	Y 60Hz	50Hz	60Hz	Metric
1.3	0.9	SPX-50 0.7 A	SPX-60 0.7 A	65	65	5	4.9	0.11	0.13	0.4	0.2	0.4	0.25	3	3.5	M16X1.5
2	1.3	SPX-50 1.2 A	SPX-60 1.2 A	100	94	5.2	5	0.18	0.2	0.6	0.4	0.6	0.3	4.5	4.5	M16X1.5
4.4	3.4	SPX-50 1.8 A	SPX-60 1.8 A	220	240	6	6.3	0.19	0.22	0.7	0.4	0.7	0.4	4.5	4.5	M16X1.5
6.6	4.4	SPV 2.7 A	SPV 2.7 A	330	320	9	8.5	0.28	0.3	1	0.6	1	0.6	3.5	3.5	M16X1.5
10	8	SPV 4.5 A	SPV 4.5 A	500	580	15.5	15	0.51	0.6	1.7	1	1.7	1	4	4	M20X1.5
16	12	SPV 7.0 A	SPV 7.0 A	800	870	20.5	20	0.75	0.8	2.3	1.3	2.1	1.2	5	5	M20X1.5
20	13	SPV 9.0 A	SPV 9.0 A	1,000	965	27	25	1.1	1.2	3.2	1.8	3.2	1.8	5	5	M20X1.5
26	16	SPV 12.0 A	SPV 12.0 A	1,350	1,200	28	27.5	1.3	1.4	3.7	2.1	3.5	2	5	5	M20X1.5
33	24	SPV 15.0 A	SPV 15.0 A	1,660	1,750	33.5	32	1.5	1.6	4.5	2.6	4.5	2.6	6	6	M20X1.5
40	30	SPX-50 19.0 A	SPX-60 19.0 A	2,000	2,200	46	44	1.9	2	5	2.8	5	3	6	6	M20X1.5
54	40	SPX-50 25.0 A	SPX-60 25.0 A	2,700	2,900	61	57.5	2.2	2.4	6.2	3.6	6	3.4	6	6	M20X1.5
83	69	SPX-50 32.0 A	SPX-60 32.0 A	4,200	5,000	100.5	98.5	3.5	4	10	5.8	10	5.8	5.5	5.5	M25X1.5 + M16X1.5
112	79	SPX-50 50.0 A	SPX-60 50.0 A	5,630	5,700	130	126.5	5	5.5	14	8	14	8	6	6	M25X1.5 + M16X1.5
132	87	SPV 60.0 A	SPV 60.0 A	6,640	6,300	182.5	178	7	7.3	20	11.5	19	11	6	6	M25X1.5 + M16X1.5
150	110	SPV 70.0 A	SPV 70.0 A	7,600	7,960	210	206	8	8.5	22.5	13	21.5	12.5	6	6	M25X1.5 + M16X1.5
190	130	SPV 85.0 A	SPV 85.0 A	9,550	9,400	216	210	9	9.5	25	14.5	24	14	6	6	M25X1.5 + M16X1.5

To convert kg into Newton: $N = 9.81 \cdot kg$



1



2

DIMENSIONAL SPECIFICATIONS (mm)

Model		Drawing	Size	DIMENSIONAL SPECIFICATIONS (mm)															
				A	B	C	D	E	F	G		Holes Nr.	H	I	L	M	N	P	Q
50Hz	60Hz			50Hz	60Hz					50Hz	60Hz								
SPX-50 0.7 A	SPX-60 0.7 A	1	01.0	214	130	154	92	59	108	47	4	9	62-74	106	15	117	52	35	
SPX-50 1.2 A	SPX-60 1.2 A	1	02.0	214	130	154	92	59	108	47	4	9	62-74	106	15	117	52	35	
SPX-50 1.8 A	SPX-60 1.8 A	1	02.1	252	130	154	92	59	108	66	4	9	62-74	106	15	117	52	35	
SPV 2.7 A	SPV 2.7 A	1	03.0	262	160	175	126	72	140	56	4	13	90	125	15	145	55	50	
SPV 4.5 A	SPV 4.5 A	1	04.0	292	194	204	148	86	164	44	4	13	100	155	18	180	50	45	
SPV 7.0 A	SPV 7.0 A	1	05.0	336	220	213	168	96	184	54	4	17	115	170	20	200	65	50	
SPV 9.0 A	SPV 9.0 A	1	06.0	366	225	233	187	105	200	62	4	17	120	180	20	210	70	50	
SPV 12.0 A	SPV 12.0 A	1	06.1	366	225	233	187	105	200	62	4	17	120	180	20	210	70	50	
SPV 15.0 A	SPV 15.0 A	1	07.0	403	250	246	200	112	216	75	4	17	150	190	22	220	60	60	
SPX-50 19.0 A	SPX-60 19.0 A	1	08.0	410	280	258	212	117	227	74	4	17	160	200	30	260	95	80	
SPX-50 25.0 A	SPX-60 25.0 A	1	09.0	512	300	280	237	131	255	105	4	22	165	230	35	300	115	80	
SPX-50 32.0 A	SPX-60 32.0 A	1	10.0	568	330	331	270	150	285	104	4	25	165	270	35	360	150	90	
SPX-50 50.0 A	SPX-60 50.0 A	1	11.0	609	355	360	308	166	322	110	4	29	210	295	35	390	165	100	
SPV 60.0 A	SPV 60.0 A	2	12.0	656	390	392	345	193	396	121	6	29	110	310	41	350	110	90	
SPV 70.0 A	SPV 70.0 A	2	13.0	686	390	414	345	192	396	121	6	29	115	320	45	370	115	75	
SPV 85.0 A	SPV 85.0 A	2	13.2	672	390	414	345	192	396	121	6	29	115	320	45	370	115	75	

NOTE: Dimensions with coarse degree of accuracy related to UNI 22768/1

This information is provided without warranty, representation, inducement or licence of any kind. It is accurate to the best OLI knowledge or is obtained from sources believed to be accurate. OLI therefore assumes no legal responsibility.

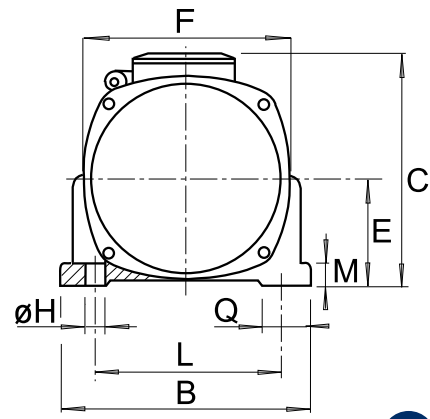
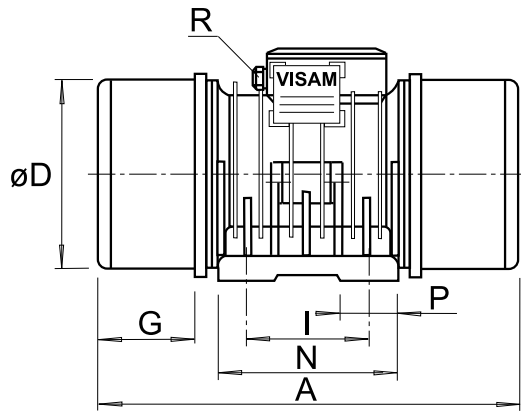
SPV / SPX 4 POLES THREE-PHASE

1,500/1,800 rpm

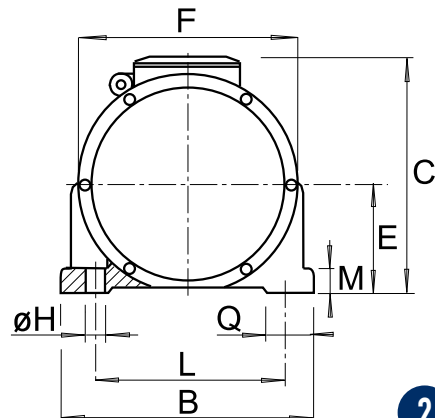
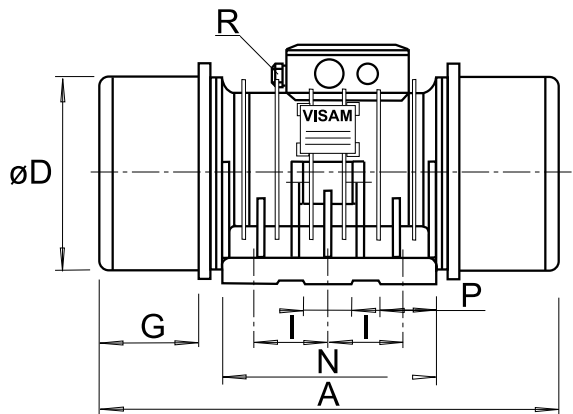


Wm (kgcm)		Model		Centrifugal Force (kg)		Weight (kg)		ELECTRICAL SPECIFICATIONS								
								Input Power (kW)		Nominal Current A max.				Ia / In		Cable Gland
50Hz	60Hz	50Hz	60Hz	50Hz	60Hz	50Hz	60Hz	50Hz	60Hz	Δ 50Hz	Y 50Hz	Δ 60Hz	Y 60Hz	50Hz	60Hz	Metric
2,4	1,6	SPX-50 0.3 B	SPX-60 0.3 B	30	30	5.1	5	0.08	0.09	0.3	0.2	0.3	0.2	2.5	2.5	M16X1.5
4,4	3,8	SPX-50 0.5 B	SPX-60 0.5 B	55	68	6.0	5.8	0.09	0.1	0.5	0.3	0.4	0.2	4.5	4.5	M16X1.5
6	4,4	SPX-50 0.8 B	SPX-60 0.8 B	70	80	6.5	6.8	0.1	0.15	0.5	0.3	0.5	0.3	4.5	4.5	M16X1.5
21	14,4	SPV 2.2 B	SPV 2.2 B	265	260	12.5	10.8	0.2	0.22	0.8	0.5	0.7	0.4	3	3	M16X1.5
36	24	SPV 3.8 B	SPV 3.8 B	450	450	20.5	19	0.4	0.45	1.3	0.7	1.3	0.7	3	3	M20X1.5
48	36	SPV 5.1 B	SPV 5.1 B	600	650	23.5	21	0.45	0.5	1.5	0.9	1.4	0.8	3	3	M20X1.5
60	40	SPV 6.7 B	SPV 6.7 B	750	720	27	24.5	0.55	0.65	1.7	1	1.7	1	4	4	M20X1.5
91	62	SPV 10.0 B	SPV 10.0 B	1,140	1,120	36	32.5	0.95	1	3	1.8	3	1.7	5	5.5	M20X1.5
136	100	SPV 15.0 B	SPV 15.0 B	1,700	1,800	46	41.5	1.1	1.2	3.5	2	3.3	1.9	4	4	M20X1.5
165	110	SPX-50 20.0 B	SPX-60 20.0 B	2,100	2,000	56	50.5	1.3	1.4	4	2.3	3.8	2.2	3.5	3.5	M20X1.5
220	160	SPX-50 25.5 B	SPX-60 25.5 B	2,770	2,900	70	67.5	1.75	1.9	5	3	4.9	2.8	5	5	M20X1.5
250	186	SPX-50 30.0 B	SPX-60 30.0 B	3,150	3,350	80	74	2	2.1	6	3.8	6	3.5	5	5	M20X1.5
316	240	SPX-50 35.0 B	SPX-60 35.0 B	4,000	4,350	118	110	2.4	2.6	8.7	5	8.3	4.8	5.5	5.5	M25X1.5 + M16X1.5
420	310	SPX-50 47.5 B	SPX-60 47.5 B	5,300	5,600	152.5	144	3.5	3.8	10.5	6	10	6	4	4	M25X1.5 + M16X1.5
460	340	SPV 55.0 B	SPV 55.0 B	5,800	6,200	201.5	196	4.5	5	13	7.5	13	7.5	4	4	M25X1.5 + M16X1.5
560	394	SPV 63.0 B	SPV 63.0 B	7,050	7,150	233	221	6	6.5	19	11	18	10.5	5	5	M25X1.5 + M16X1.5
676	470	SPV 77.0 B	SPV 77.0 B	8,500	8,500	248	233	7.1	7.3	20.5	12	19	11	4.5	4.5	M25X1.5 + M16X1.5
760	530	SPV-50 83.0 B	SPV-60 83.0 B	9,500	9,600	306	289	7.8	8.4	21.5	12.5	21	12	4.5	4.5	M32X1.5 + M16X1.5
970	716	SPV-50 105.0 B	SPV-60 105.0 B	12,200	13,000	337	322	10.5	11	30.5	17.5	28	16	5	5	M32X1.5 + M16X1.5

To convert kg into Newton: $N = 9.81 \cdot kg$



1



2

DIMENSIONAL SPECIFICATIONS (mm)

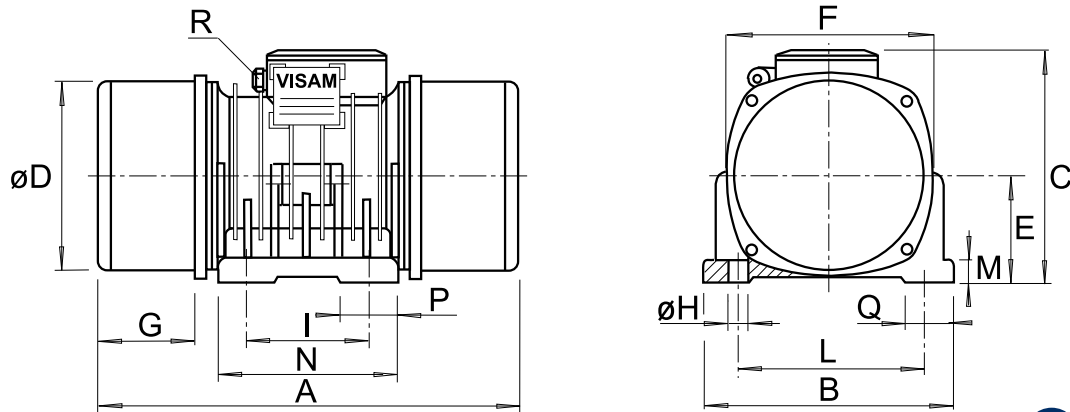
Model		Drawing	Size	A	B	C	D	E	F	G		Holes Nr.	H	I	L	M	N	P	Q
50Hz	60Hz			50Hz	60Hz	50Hz	60Hz												
SPX-50 0.3 B	SPX-60 0.3 B	1	01.0	214	130	154	92	59	108	47	4	4	9	62-74	106	15	117	52	35
SPX-50 0.5 B	SPX-60 0.5 B	1	02.0	252	130	154	92	59	108	66	4	4	9	62-74	106	15	117	52	35
SPX-50 0.8 B	SPX-60 0.8 B	1	02.1	252	130	154	92	59	108	66	4	4	9	62-74	106	15	117	52	35
SPV 2.2 B	SPV 2.2 B	1	03.0	332	160	175	126	72	140	91	4	4	13	90	125	15	145	55	50
SPV 3.8 B	SPV 3.8 B	1	04.0	370	194	204	148	86	164	83	4	4	13	100	155	18	180	50	45
SPV 5.1 B	SPV 5.1 B	1	04.1	406	194	204	148	86	164	101	4	4	13	100	155	18	180	50	45
SPV 6.7 B	SPV 6.7 B	1	05.0	390	220	213	168	96	184	81	4	4	17	115	170	20	200	65	50
SPV 10.0 B	SPV 10.0 B	1	06.0	428	225	233	187	105	200	93	4	4	17	120	180	20	210	70	50
SPV 15.0 B	SPV 15.0 B	1	07.0	461	250	246	200	112	216	104	4	4	17	150	190	22	220	60	60
SPX-50 20.0 B	SPX-60 20.0 B	1	08.0	486	280	258	212	117	227	112	4	4	17	160	200	30	260	95	80
SPX-50 25.5 B	SPX-60 25.5 B	1	09.0	512	300	280	237	131	255	105	4	4	22	165	230	35	300	115	80
SPX-50 30.0 B	SPX-60 30.0 B	1	09.1	584	512	300	280	237	255	141	105	4	22	165	230	35	300	115	80
SPX-50 35.0 B	SPX-60 35.0 B	1	10.0	568	330	331	270	150	285	104	4	4	25	165	270	35	360	150	90
SPX-50 47.5 B	SPX-60 47.5 B	1	11.0	609	355	360	308	166	322	110	4	4	29	210	295	35	390	165	100
SPV 55.0 B	SPV 55.0 B	2	12.0	656	390	392	345	193	396	121	6	6	29	110	310	41	350	110	90
SPV 63.0 B	SPV 63.0 B	2	13.0	686	390	414	345	192	396	121	6	6	29	115	320	45	370	115	75
SPV 77.0 B	SPV 77.0 B	2	13.2	672	390	414	345	192	396	121	6	6	29	115	320	45	370	115	75
SPV-50 83.0 B	SPV-60 83.0 B	2	14.0	731	456	468	410	235	460	118	6	6	32	130	380	40	400	390	120
SPV-50 105.0 B	SPV-60 105.0 B	2	14.1	737	456	468	410	235	460	118	6	6	32	130	380	40	400	390	120

NOTE: Dimensions with coarse degree of accuracy related to UNI 22768/1

This information is provided without warranty, representation, inducement or licence of any kind. It is accurate to the best OLI knowledge or is obtained from sources believed to be accurate. OLI therefore assumes no legal responsibility.

SPV / SPX 6 POLES THREE-PHASE

1,000/1,200 rpm

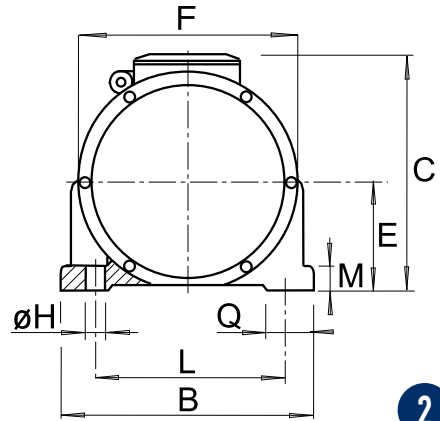
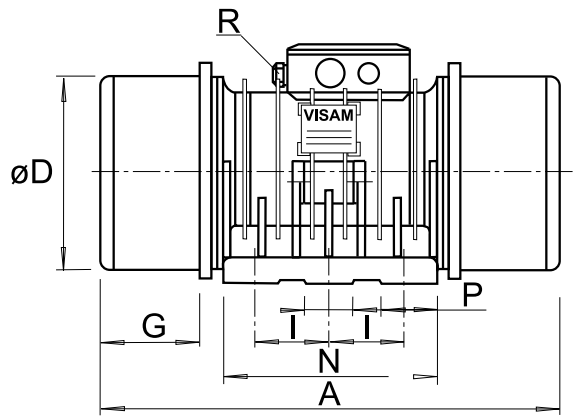


1

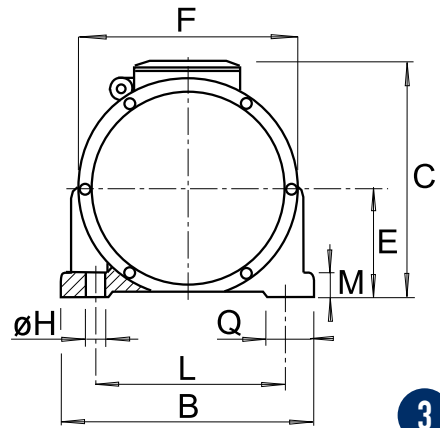
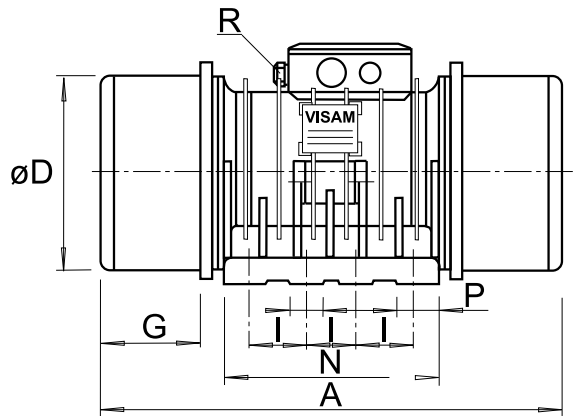
Wm (kgcm)		Model		Centrifugal Force (kg)		Weight (kg)	
50Hz	60Hz	50Hz	60Hz	50Hz	60Hz	50Hz	60Hz
21	21	SPV 1.1 C	SPV 1.1 C	120	170	12.5	12.5
36	36	SPV 1.7 C	SPV 1.7 C	200	300	20.5	20.5
48	48	SPV 2.2 C	SPV 2.2 C	270	390	23	23
80	60	SPV 3.8 C	SPV 3.8 C	450	480	30	27.5
104	91	SPV 5.0 C	SPV 5.0 C	580	735	37	36
172	136	SPV 8.0 C	SPV 8.0 C	960	1,100	50	46
222	165	SPX-50 12.0 C	SPX-60 12.0 C	1,250	1,350	62.5	56
330	220	SPX-50 17.0 C	SPX-60 17.0 C	1,850	1,750	82	70
420	250	SPX-50 22.0 C	SPX-60 22.0 C	2,350	2,050	100	80
512	316	SPX-50 27.0 C	SPX-60 27.0 C	2,860	2,550	140	124
712	420	SPX-50 35.5 C	SPX-60 35.5 C	4,000	3,400	173.5	153
860	590	SPX-50 41.5 C	SPX-60 41.5 C	4,800	4,750	187	167
1020	734	SPV 50.0 C	SPV 50.0 C	5,700	5,900	241.5	221
1,210	820	SPV 61.0 C	SPV 61.0 C	6,800	6,600	280	255
1,400	980	SPV 69.0 C	SPV 69.0 C	7,800	7,900	295	262
1580	1100	SPV 80.0 C	SPV 80.0 C	8,800	8,850	308	280
1,720	1,200	SPV 89.0 C	SPV 89.0 C	9,610	9,650	330	294
1,820	1,300	SPV-50 90.5 C	SPV-60 90.5 C	10,200	10,500	372	337
2,270	1,500	SPV-50 114.0 C	SPV-60 114.0 C	12,700	12,100	412	364
2,430	1,654	SPV-50 122.0 C	SPV-60 122.0 C	13,600	13,350	428	380
2,800	1,980	SPV-50 140.0 C	SPV-60 140.0 C	15,650	15,950	543	500
3,140	2,140	SPV-50 160.0 C	SPV-60 160.0 C	17,550	17,200	610	555

ELECTRICAL SPECIFICATIONS												
Input Power (kW)		Nominal Current A max.				Ia / In		Cable Gland				
50Hz	60Hz	Δ 50Hz	Y 50Hz	YY/Δ 60Hz	Y 60Hz	50Hz	60Hz	Metric				
0.24	0.28	1.2	0.7	1.2	0.7	3.5	3.5	M16X1.5				
0.3	0.35	1.3	0.7	1.4	0.7	3	3	M20X1.5				
0.35	0.4	1.5	0.9	1.7	0.8	3	3	M20X1.5				
0.45	0.5	2.3	1.3	2.4	1.2	3.5	3.5	M20X1.5				
0.8	0.9	3	1.7	3.2	1.6	4	4	M20X1.5				
0.9	1	3.2	1.9	3.4	1.7	3.5	3.5	M20X1.5				
1	1.15	3.6	2.1	3.8	1.9	3.5	3.5	M20X1.5				
1.4	1.55	4.6	2.7	5	2.5	4	4	M20X1.5				
1.6	1.7	5.3	3	5.6	2.8	4	4	M20X1.5				
2.4	2.6	9	5.2	10	5	5	5	M25X1.5 + M16X1.5				
2.7	2.9	10.5	6	12	6	5	5.5	M25X1.5 + M16X1.5				
3.3	3.6	12	7	14	7	5	5	M25X1.5 + M16X1.5				
4.2	4.5	13	7.5	15	7.5	5	5	M25X1.5 + M16X1.5				
5.3	6.2	16.5	9.5	20	10	5	5	M25X1.5 + M16X1.5				
5.9	6.6	19	11	22	11	5	5	M25X1.5 + M16X1.5				
7	7.5	21	12	24	12	5.5	5.5	M25X1.5 + M16X1.5				
7.6	8.2	22.5	13	26	13	5.5	5.5	M25X1.5 + M16X1.5				
8	8.6	26	15	27.5	13.8	5	5	M32X1.5 + M16X1.5				
9.8	10.8	28	16	34	17	5.5	5.5	M32X1.5 + M16X1.5				
10.2	11	30	17	35	17.5	5.5	5.5	M32X1.5 + M16X1.5				
11.5	12.5	21	12	36.9	18.5	5.5	5.5	M32X1.5 + M16X1.5				
13.8	15	24	13.8	47	23.5	6	5.5	M32X1.5 + M16X1.5				

To convert kg into Newton: $N = 9.81 \cdot kg$



2



3

DIMENSIONAL SPECIFICATIONS (mm)

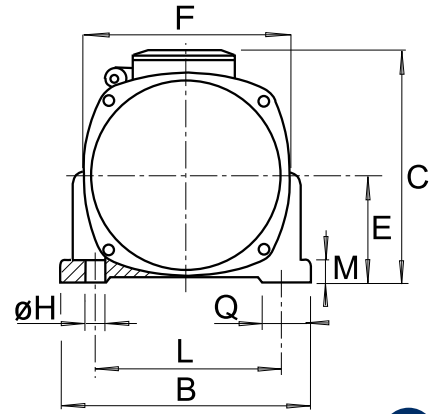
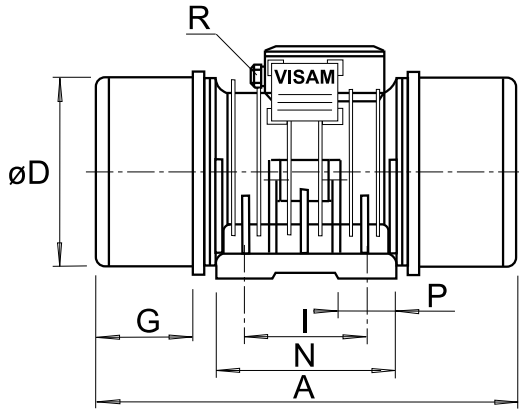
Model		Drawing	Size	DIMENSIONAL SPECIFICATIONS (mm)															
50Hz	60Hz			A	B	C	D	E	F	G		Holes Nr.	H	I	L	M	N	P	Q
				50Hz	60Hz														
SPV 1.1 C	SPV 1.1 C	1	03.0	332	160	175	126	72	140	91	4	13	90	125	15	145	55	50	
SPV 1.7 C	SPV 1.7 C	1	04.0	370	194	204	148	86	164	83	4	13	100	155	18	180	50	45	
SPV 2.2 C	SPV 2.2 C	1	04.1	406	194	204	148	86	164	101	4	13	100	155	18	180	50	45	
SPV 3.8 C	SPV 3.8 C	1	05.0	428	220	213	168	96	184	100	4	17	115	170	20	200	65	50	
SPV 5.0 C	SPV 5.0 C	1	06.0	452	225	233	187	105	200	105	4	17	120	180	20	210	70	50	
SPV 8.0 C	SPV 8.0 C	1	07.0	495	250	246	200	112	216	121	4	17	150	190	22	220	60	60	
SPX-50 12.0 C	SPX-60 12.0 C	1	08.0	548	486	280	258	212	227	143	4	17	160	200	30	260	95	80	
SPX-50 17.0 C	SPX-60 17.0 C	1	09.0	584	512	300	280	237	131	255	4	22	165	230	35	300	115	80	
SPX-50 22.0 C	SPX-60 22.0 C	1	09.1	624	584	300	280	237	131	255	4	22	165	230	35	300	115	80	
SPX-50 27.0 C	SPX-60 27.0 C	1	10.0	662	330	331	270	150	285	151	4	25	165	270	35	360	150	90	
SPX-50 35.5 C	SPX-60 35.5 C	1	11.0	693	355	360	308	166	322	152	4	29	210	295	35	390	165	100	
SPX-50 41.5 C	SPX-60 41.5 C	1	11.1	693	355	360	308	166	322	152	4	29	210	295	35	390	165	100	
SPV 50.0 C	SPV 50.0 C	2	12.0	740	390	392	345	193	396	163	6	29	110	310	41	350	110	90	
SPV 61.0 C	SPV 61.0 C	2	13.0	770	390	414	345	192	396	163	6	29	115	320	45	370	115	75	
SPV 69.0 C	SPV 69.0 C	2	13.1	851	770	390	414	345	192	396	6	29	115	320	45	370	115	75	
SPV 80.0 C	SPV 80.0 C	2	13.2	838	390	414	345	192	396	203	6	29	115	320	45	370	115	75	
SPV 89.0 C	SPV 89.0 C	2	13.3	917	838	390	414	345	192	396	6	29	115	320	45	370	115	75	
SPV-50 90.5 C	SPV-60 90.5 C	2	14.0	901	456	468	410	235	460	203	6	32	130	380	40	400	390	120	
SPV-50 114.0 C	SPV-60 114.0 C	2	14.1	907	456	468	410	235	460	203	6	32	130	380	40	400	390	120	
SPV-50 122.0 C	SPV-60 122.0 C	2	14.2	907	456	468	410	235	460	203	6	32	130	380	40	400	390	120	
SPV-50 140.0 C	SPV-60 140.0 C	2	15.0	964	520	504	451	255	500	218	6	38	155	400	40	470	150	145	
SPV-50 160.0 C	SPV-60 160.0 C	2	15.1	1.018	520	504	451	255	500	218	6	38	155	400	40	470	150	145	

NOTE: Dimensions with coarse degree of accuracy related to UNI 22768/1

This information is provided without warranty, representation, inducement or licence of any kind. It is accurate to the best OLI knowledge or is obtained from sources believed to be accurate. OLI therefore assumes no legal responsibility.

SPV / SPX 8 POLES THREE-PHASE

750/900 rpm

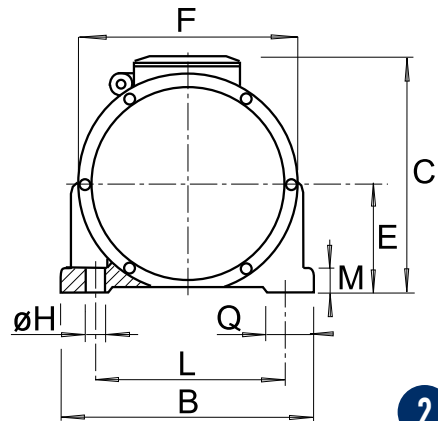
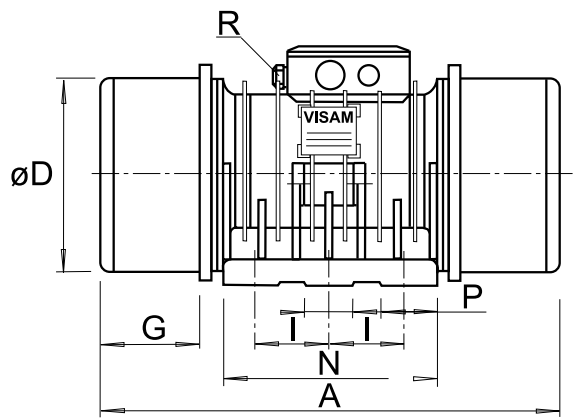


1

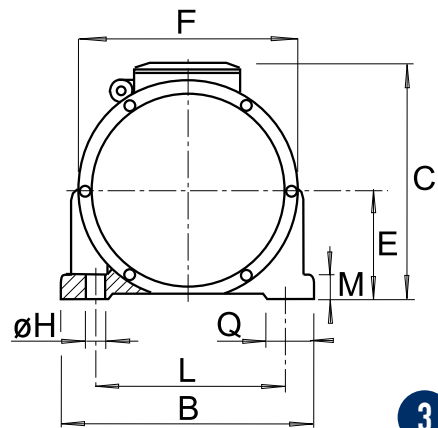
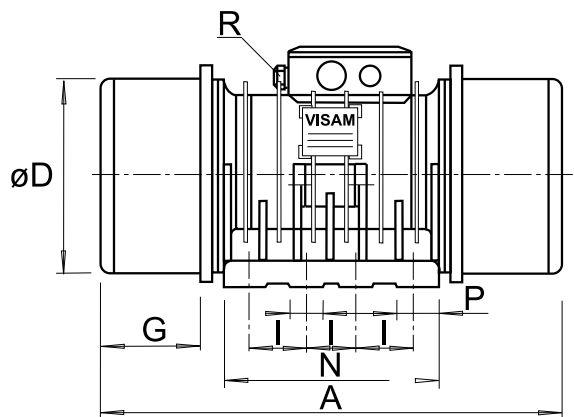
Wm (kgcm)		Model		Centrifugal Force (kg)		Weight (kg)	
50Hz	60Hz	50Hz	60Hz	50Hz	60Hz	50Hz	60Hz
48	48	SPV 1.3 D	SPV 1.3 D	150	220	23	23
80	80	SPV 2.1 D	SPV 2.1 D	250	360	30	30
104	104	SPV 2.8 D	SPV 2.8 D	330	470	37	37
172	172	SPV 4.5 D	SPV 4.5 D	540	780	50	50
222	222	SPX-50 7.0 D	SPX-60 7.0 D	700	1,000	62.5	62.5
330	330	SPX-50 10.0 D	SPX-60 10.0 D	1,050	1,500	82	82
420	420	SPX-50 13.0 D	SPX-60 13.0 D	1,320	1,900	100	100
512	512	SPX-50 15.5 D	SPX-60 15.5 D	1,610	2,320	140	140
712	712	SPX-50 20.0 D	SPX-60 20.0 D	2,250	3,220	173.5	173.5
860	860	SPX-50 23.5 D	SPX-60 23.5 D	2,700	3,900	187	187
1,210	1,020	SPV 28.0 D	SPV 28.0 D	3,800	4,620	254	241.5
1,510	1,210	SPV 42.5 D	SPV 42.5 D	4,750	5,500	300	280
1,960	1,580	SPV 56.0 D	SPV 56.0 D	6,160	7,150	331	308
2,394	1,820	SPV-50 66.5 D	SPV-60 66.5 D	7,550	8,250	407	372
2,734	2,430	SPV-50 78.5 D	SPV-60 78.5 D	8,600	11,000	438	428
3,600	2,800	SPV-50 100.0 D	SPV-60 100.0 D	11,300	12,640	584	543
4,340	3,540	SPV-50 124.0 D	SPV-60 124.0 D	13,650	16,000	672	630

ELECTRICAL SPECIFICATIONS									
Input Power (kW)		Nominal Current A max.				Ia / In		Cable Gland	
50Hz	60Hz	Δ 50Hz	Y 50Hz	YY/Δ 60Hz	Y 60Hz	50Hz	60Hz	Metric	
0.28	0.32	1.2	0.7	1.5	0.7	3	3	M20X1.5	
0.45	0.5	2.1	1.2	2.2	1.1	3.5	3.5	M20X1.5	
0.55	0.7	2.5	1.5	3.5	1.7	3.5	3.5	M20X1.5	
0.7	0.8	2.9	1.7	3.4	1.7	3.5	3.5	M20X1.5	
0.9	0.95	3.5	2	4	2	3	3	M20X1.5	
1.1	1.2	4.3	2.5	5.2	2.6	4	4	M20X1.5	
1.3	1.5	4.8	2.8	5.4	2.7	4	4	M20X1.5	
2	2.3	8.6	5	10	5	4.5	4.5	M25X1.5 + M16X1.5	
2.5	2.8	10	6	12	6	4.5	4.5	M25X1.5 + M16X1.5	
3	3.3	11.7	6.8	14	7	4.5	4.5	M25X1.5 + M16X1.5	
3.7	4.1	14.7	8.5	17	8.5	4.5	4.5	M25X1.5 + M16X1.5	
5.2	5.8	17.5	10	20	10	5.5	5.5	M25X1.5 + M16X1.5	
6.5	7.2	21	12	24	12	5	5	M25X1.5 + M16X1.5	
7	8	22.5	13	26	13	4	4	M32X1.5 + M16X1.5	
8	8.5	24.5	14	28	14	5	5	M32X1.5 + M16X1.5	
10	10.8	18	10.5	36	18	5	5	M32X1.5 + M16X1.5	
11	12	20	11.5	40	20	5	5	M32X1.5 + M16X1.5	

To convert kg into Newton: N = 9.81 · kg



2



3

DIMENSIONAL SPECIFICATIONS (mm)

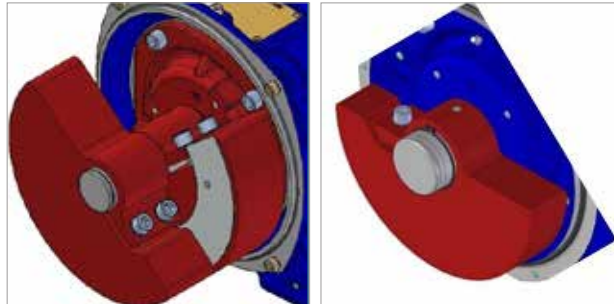
Model		Drawing	Size	DIMENSIONAL SPECIFICATIONS (mm)															
				A	B	C	D	E	F	G		Holes Nr.	H	I	L	M	N	P	Q
50Hz	60Hz			50Hz	60Hz					50Hz	60Hz								
SPV 1.3 D	SPV 1.3 D	1	04.1	406	194	204	148	86	164	101	4	13	100	155	18	180	50	45	
SPV 2.1 D	SPV 2.1 D	1	05.0	428	220	213	168	96	184	100	4	17	115	170	20	200	65	50	
SPV 2.8 D	SPV 2.8 D	1	06.0	452	225	233	187	105	200	105	4	17	120	180	20	210	70	50	
SPV 4.5 D	SPV 4.5 D	1	07.0	495	250	246	200	112	216	121	4	17	150	190	22	220	60	60	
SPX-50 7.0 D	SPX-60 7.0 D	1	08.0	548	280	258	212	117	227	143	4	17	160	200	30	260	95	80	
SPX-50 10.0 D	SPX-60 10.0 D	1	09.0	584	300	280	237	131	255	141	4	22	165	230	35	300	115	80	
SPX-50 13.0 D	SPX-60 13.0 D	1	09.1	624	300	280	237	131	255	161	4	22	165	230	35	300	115	80	
SPX-50 15.5 D	SPX-60 15.5 D	1	10.0	662	330	331	270	150	285	151	4	25	165	270	35	360	150	90	
SPX-50 20.0 D	SPX-60 20.0 D	1	11.0	693	355	360	308	166	322	152	4	29	210	295	35	390	165	100	
SPX-50 23.5 D	SPX-60 23.5 D	2	11.1	693	355	360	308	166	322	152	4	29	210	295	35	390	165	100	
SPV 28.0 D	SPV 28.0 D	2	12.0	740	390	392	345	193	396	163	6	29	110	310	41	350	110	90	
SPV 42.5 D	SPV 42.5 D	2	13.0	851	770	390	414	345	396	203	163	6	29	115	320	45	370	115	75
SPV 56.0 D	SPV 56.0 D	2	13.2	917	838	390	414	345	396	243	203	6	29	115	320	45	370	115	75
SPV-50 66.5 D	SPV-60 66.5 D	2	14.0	1.001	901	456	468	410	460	253	203	6	32	130	380	40	400	390	120
SPV-50 78.5 D	SPV-60 78.5 D	2	14.1	1.007	907	456	468	410	460	253	203	6	32	130	380	40	400	390	120
SPV-50 100.0 D	SPV-60 100.0 D	2	15.0	1.084	964	520	504	451	500	278	218	6	38	155	400	40	470	150	145
SPV-50 124.0 D	SPV-60 124.0 D	2	15.1	1.138	520	504	451	255	500	278	6	38	155	400	40	470	150	145	

NOTE: Dimensions with coarse degree of accuracy related to UNI 22768/1

This information is provided without warranty, representation, inducement or licence of any kind. It is accurate to the best OLI knowledge or is obtained from sources believed to be accurate. OLI therefore assumes no legal responsibility.

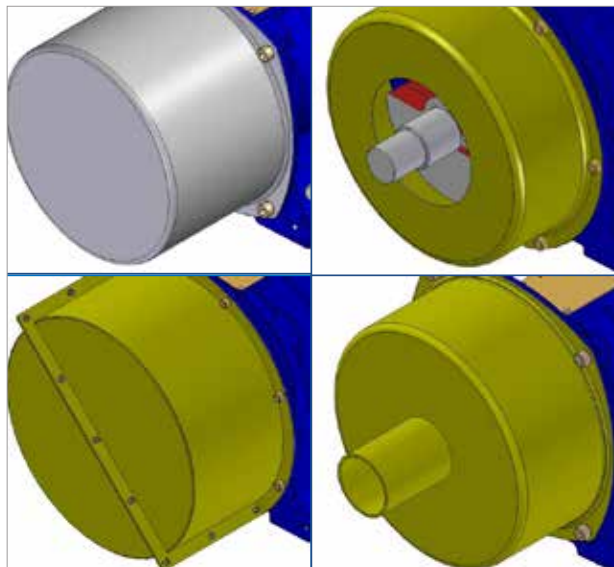
CUSTOMIZATIONS

WEIGHTS SETTINGS



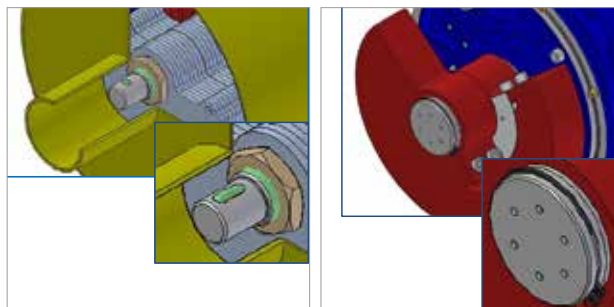
Customizable at any %.
Fix (single/side).

WEIGHTS COVERS



Stainless Steel.
Split System.
Axial hole for extended shaft.
Axial guard for extended shaft.

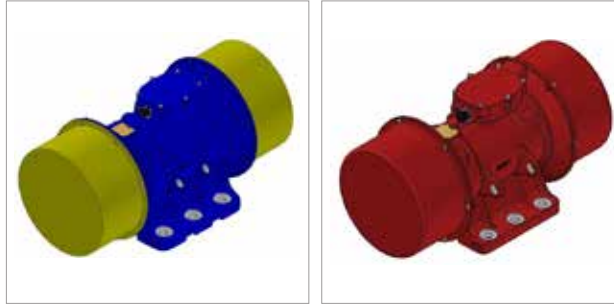
COUPLING



Extended shaft.
Side drilled shaft.

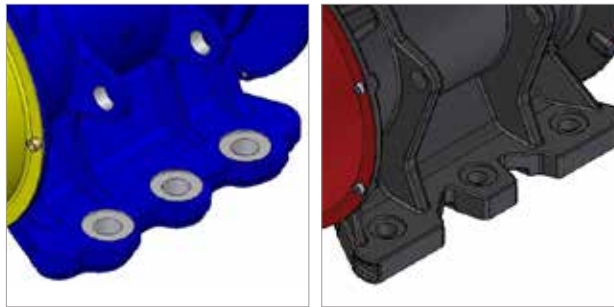


EXTERNAL COLOUR



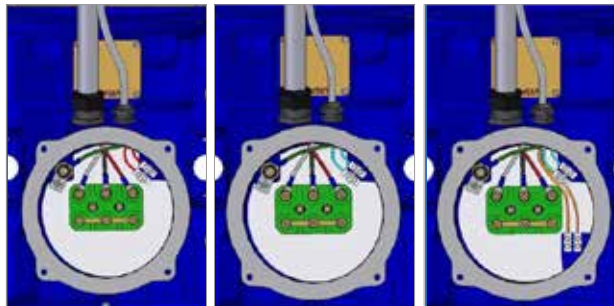
Blue/yellow standard.
Customizable with other colours.

FOOT PRINT



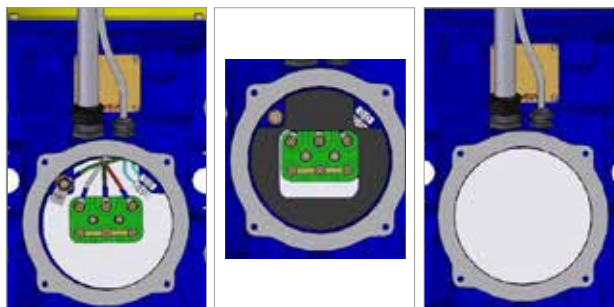
Various foot print available
matching different fixing
patterns.
Customizable.

READING PROBES



PTC (standard on some
models as default, others on
request).
PT100.
Heaters.

FEEDING CABLE



Feeding cable.
Feeding cable + terminal box
fully filled with silicon rubber

VISAM MOTOVIBRATORS DESIGNED TO MEET YOUR NEEDS

WWW.VISAM.IT

