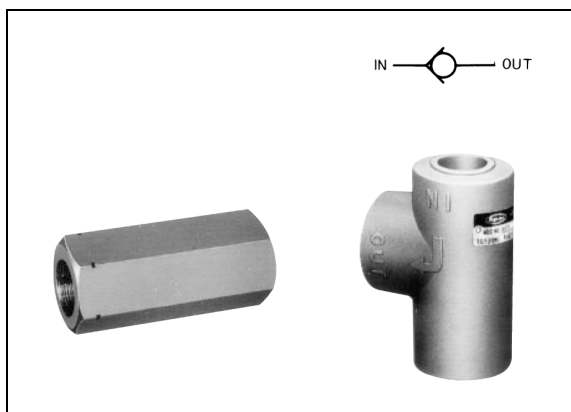


CHECK VALVE (HK3)



A check valve allows fluid flow in one direction only while maintaining the specified cracking pressure, and completely stops the flow in the reverse direction.

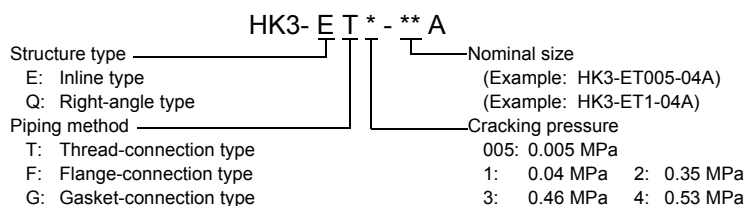
These valves are classified into two types according to the body shape, namely the inline type and the right-angle type.

⚠ Cautions on Use

Please read the Instruction Manual carefully to ensure correct usage.

- If subplate SHK**-**T1(A) and/or a flange is necessary, please order one separately.
- For the gasket-connection type check valves, finish the mounting faces to the same quality as the valve faces (3.2 μmRz).

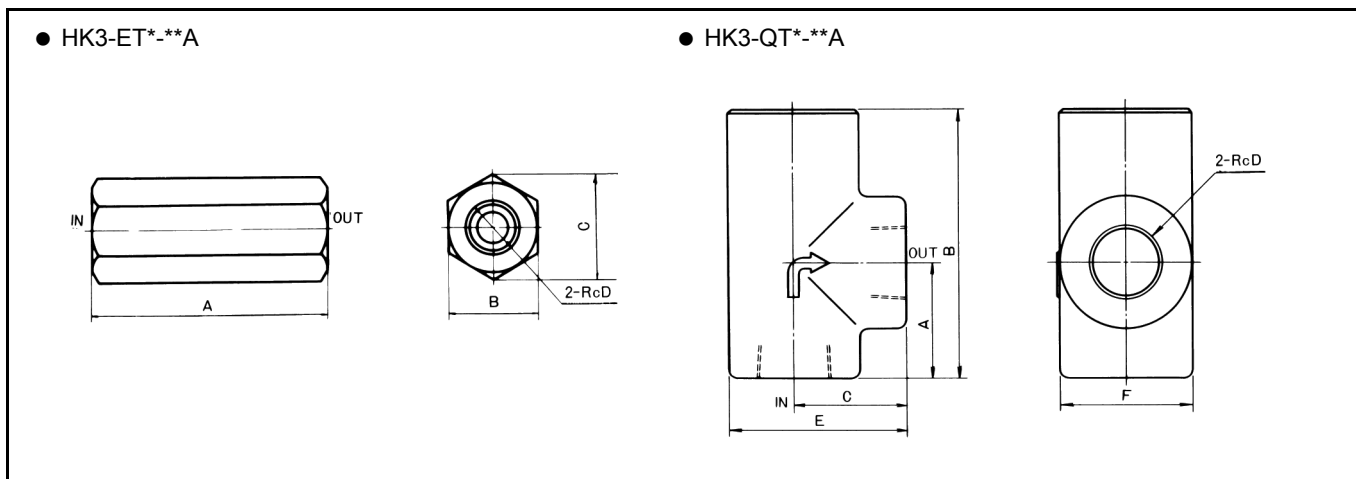
MODEL DESIGNATION



SPECIFICATIONS

Nominal Size	Rated Flow (L/min)	Max. Operating Pressure (MPa)	Model			
			Inline Type Check Valve		Right-angle Type Check Valve	
			Thread-connection Type	Flange-connection Type	Thread-connection Type	Gasket-connection Type
02	12	21	HK3-ET*-02A			HK3-QG*-02A
03	40		HK3-ET*-03A			HK3-QG*-03A
04	75		HK3-ET*-04A	HK3-EF*-04A		
06	120		HK3-ET*-06A	HK3-EF*-06A	HK3-QT*-06A	HK3-QG*-06A

EXTERNAL DIMENSIONS

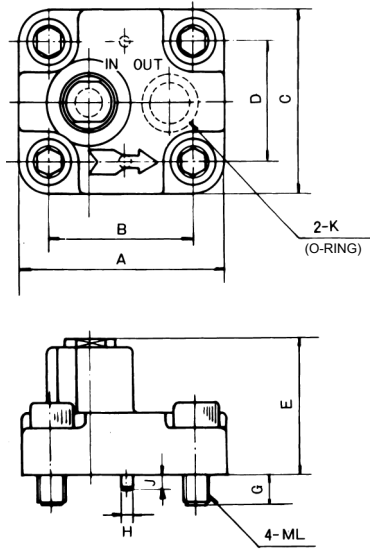


Model	A	B	C	D	Mass (kg)
HK3-ET*-02A	56	22	25.4	1/4	0.2
HK3-ET*-03A	70	30	34.6	3/8	0.3
HK3-ET*-04A	85	32	37	1/2	0.5
HK3-ET*-06A	95	41	47.3	3/4	0.8

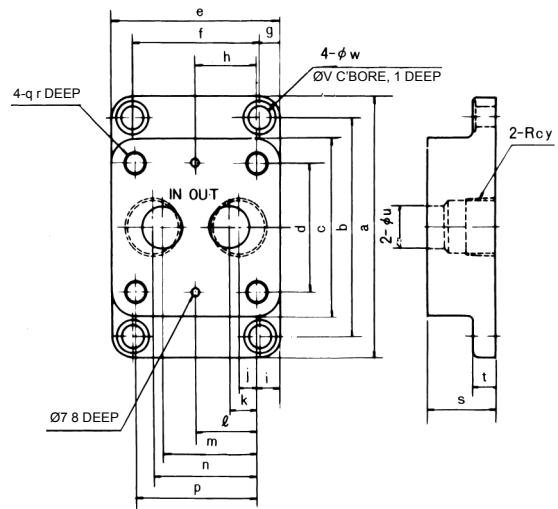
Model	A	B	C	D	E	Fφ	Mass (kg)
HK3-QT*-06A	45	103	46	3/4	77	50	1.5

EXTERNAL DIMENSIONS

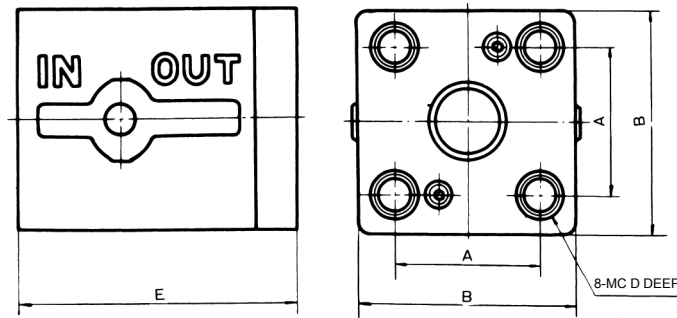
● HK3-QG*-(A)



● SHK**-**T1(A)



● HK3-EF*-(A)

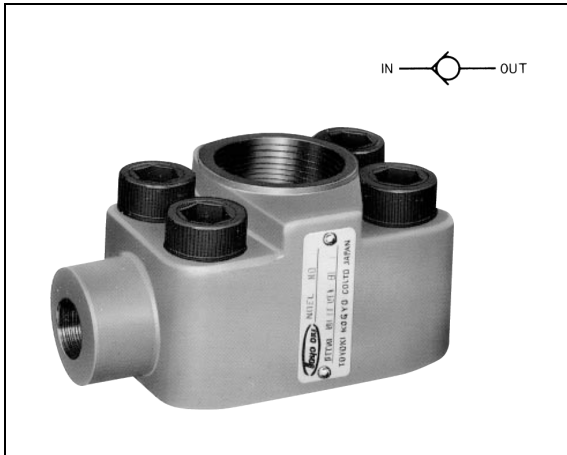


Model	A	B	C	D	E	G	H	J	K	L	Mass (kg)
HK3-QG*-02A	50	36	40	26	44	10.5	6	6	JIS B2401-1AP12	6	0.4
HK3-QG*-03A	80	60	68	48	56	15	6	6	JIS B2401-1AP18	10	1.2
HK3-QG*-06A	113	81	97	65	76	22	6	6	JIS B2401-1AG25	16	3.4

Model	a	b	c	d	e	f	g	h	i	j	k	ℓ	m	n	p	q	r	s	t	u	v	w	y
SHK02-02T1	72	57	40	26	50	36	7	—	7	4	4	18	24	29	36	M6	12	25	11	10	11	6.5	1/4
SHK03-04T1	104	87	68	48	80	63	8.5	30	10	12	12	—	47	47	60	M10	20	30	13	16	14	9	1/2
SHK06-06T1A	147	123	97	65	113	89	12	40.5	16	13	13	—	59	61	81	M16	30	35	14	20	20	13	3/4

Model	A	B	C	D	E	Used Flange	Mass (kg)
HK3-EF*-04A	36	54	10	17	58	JIS B2291-SSA15	1
HK3-EF*-06A	40	58	10	17	68	JIS B2291-SSA20	1.5

PUMP PORT MOUNTING CHECK VALVE (HK3-EFT005-*)



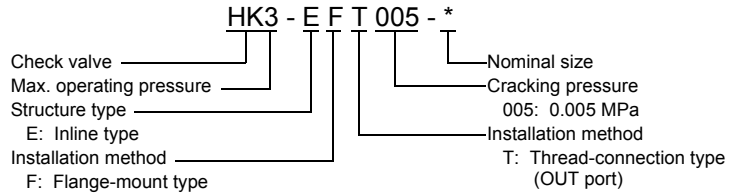
This type of check valve consists of a check valve that prevents reversal of the piston pump operating direction and a pump out side flange assembled in one unit, aiming at a reduction in piping work hours and saving of installation space.

⚠ Cautions on Use

Please read the Instruction Manual carefully to ensure correct usage.

- Finish the mounting faces to the same quality as the valve faces (3.2 μmRz).

MODEL DESIGNATION



SPECIFICATIONS

Nominal Size	Max. Operating Pressure (MPa)	Rated Flow (L/min)	Cracking Pressure (MPa)	Model	Applicable Pump
03	21	14	0.005	HK3-EFT005-03	Type HPP-VB2V
04		26		HK3-EFT005-04	Type HPP-VC2V
06		56		HK3-EFT005-06	Type HPP-VD2V
10		114		HK3-EFT005-10	Type HPP-VF2V

EXTERNAL DIMENSION

● HK3-EFT005-03

MASS: 0.4 kg

● HK3-EFT005-04

MASS: 0.5 kg

● HK3-EFT005-06

MASS: 0.7 kg

● HK3-EFT005-10

MASS: 1.2 kg