

## 仕様表

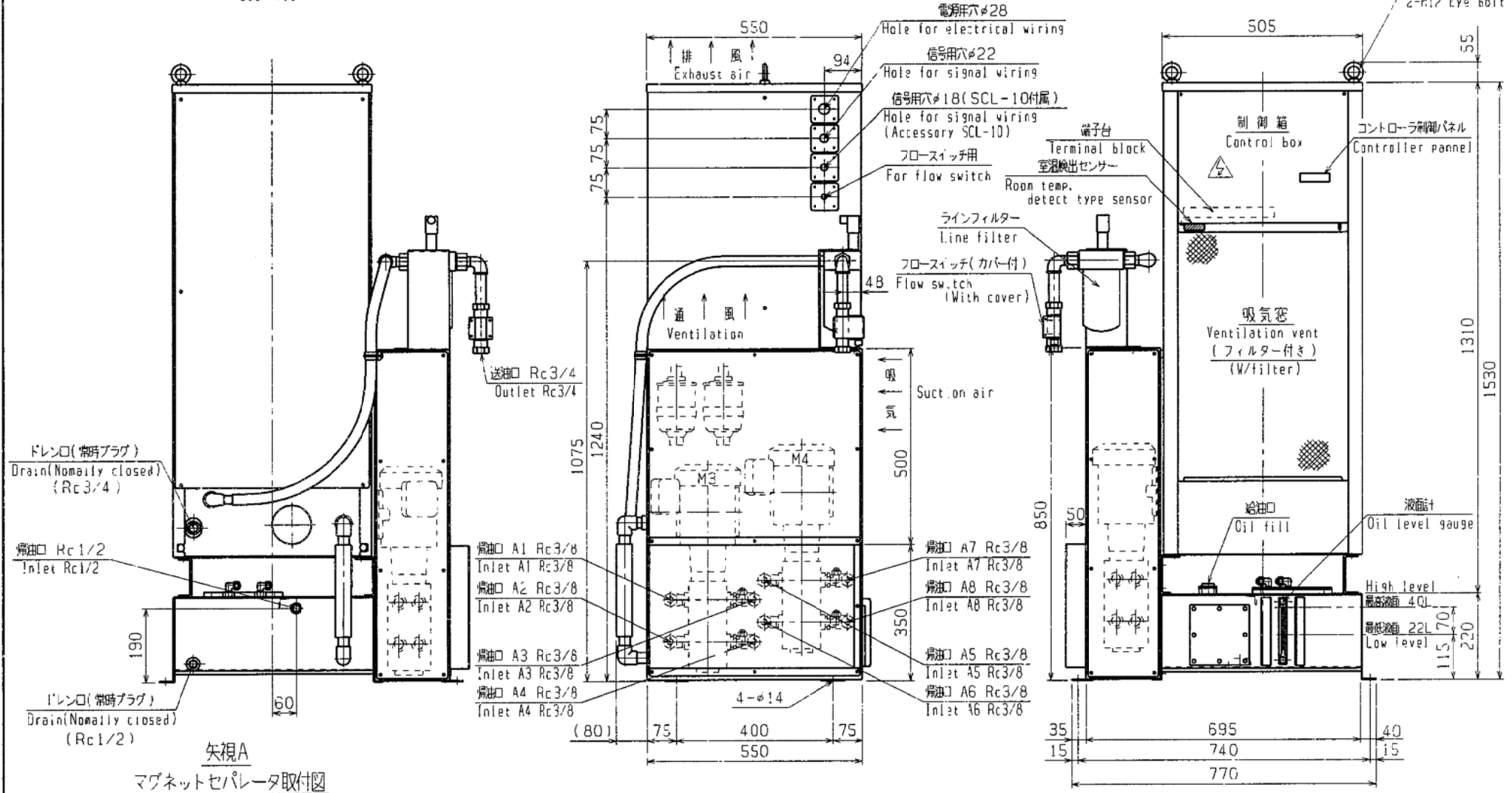
承認 APPROVED	確認 CHECKE	作成 CHARGE
△変更No.		

Model	MRSD-15A-N-1
SPC. No.	AMA33401
Appearance	Steel plate with baking finish (Munsell code N7)
Ambient temp. conditions	Temp. of inhaling air for condenser: 5~45°C
Cooling capacity	100W~5000W Condition: Oil return temp. 25°C 2700W...at 60Hz Ambient temp. 25°C 5000W...at 120Hz Discharge. 28L/min Service oil. low viscosity oil (under VG2)
Refrigeration compressor	Rotary inverter compressor -Nominal capacity 700W at 60Hz
Refrigerant	R-407C (HFC-32/125/134a)
Refrigerant normal charge	1800g
Condenser	Forced air cooling system, straight-fin type. Fan motor for forced air cooling 60W. 4P × 2
Cooler	Constant value forced circulation type.(For oil)
Pump motor (Oil feed) M1	Directly driven by trochoid gear pump motor(2P750L05-220EVK-A5) Theoretical discharge : 30/36L/min (1500/1800min <sup>-1</sup> ) Relief valve : direct-acting type 0.5MPa Electric rating : 750W. 4P 200V 50/60Hz 3Ph
Pump motor (Oil return) M3,M4	Directly driven by trochoid gear pump motor(2.5MY750-P4-2520ME) × 2 Motor side. Theoretical discharge : 29/35L/min (1450/1750min <sup>-1</sup> ) × 2 Anti-motor side. Theoretical discharge : 29/35L/min (1450/1750min <sup>-1</sup> ) × 2 Electric rating : 750W. 4P 200V 50/60Hz 3Ph
Control accuracy of temp.	Change width ±0.2°C max (stability state) Condition: Thermal load 500~4500W max Set temperature Base temp. ±3°C max (No variation)
Power source	AC200V 50/60Hz AC220V 60Hz 3Ph Power circuit AC200V 50/60Hz AC220V 60Hz 3Ph Control circuit AC100C 50/60Hz AC110V 60Hz 1Ph Max. operating current: 31A (10kVA)
Temp. controller	Many function inverter controller built-in microcomputer Set range : Follow up type. Base temp. -9.9~+9.9°C Set range : Constant type. 5~45°C (Oil temp. is limited within 5~45°C) ·With an alarm display for upper and lower fluid temp. limits Upper and Lower limit alarm indicating function oil temp. Set range(set temp.-15~+15°C) ·With a start-up time function. Set range 0.5 to 99.5 hours(minimum set interval 0.5 hours) ·Enable to exchange from constant type to follow-up type ·Individual alarm display (Pump motor over load, Refrigeration circuit alarm, Inverter board alarm, Sensor burn-out, Filter clogging alarm.)
Protective devices	Over current, over load protecting devices (for compressor, for fan motor for pump motor for control circuit) Thermal protector for compressor, Reverse phase protective devices, For oil pump relief valve, for refrigeration circuit pressure switch, filter clogging alarm
Mass	250kg
Spare parts	Fuses used at 100% attached
Accessory	Base temperature sensor (Drawing No. 437-6100-**) 1pce. (Drawing No. 437-6700-**) 1pce.
Application standard	JIS standard 2001year
Comment	

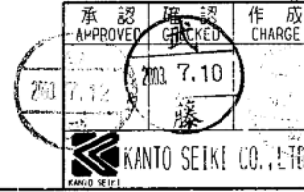
背面図  
Back view

左側面図  
Left side view

正面図  
Front view



△変更No  
△CHANGENo



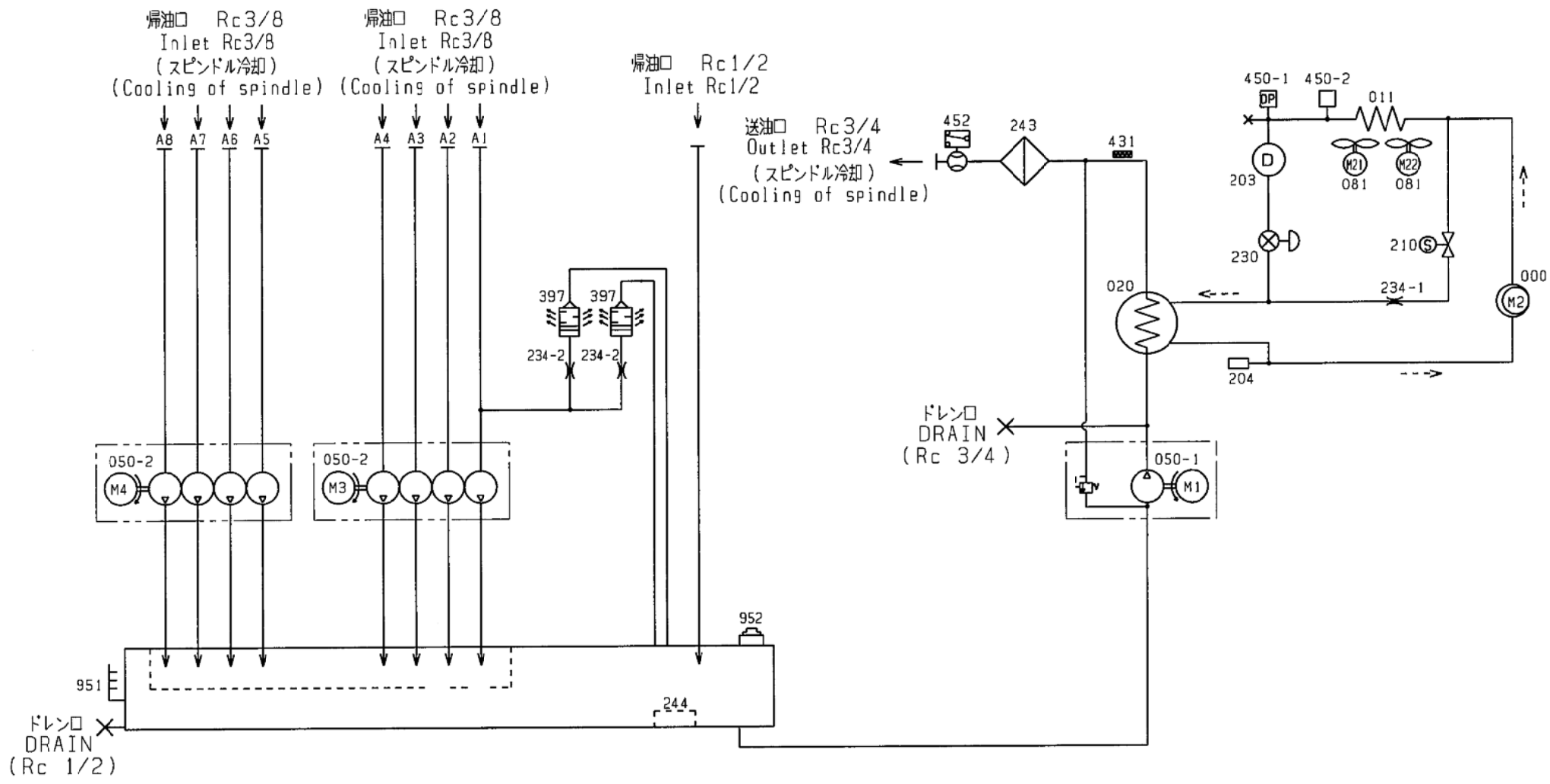
名称	オイルマチック 外観図
TITLE	APPEARANCE OF OIL MATIC
型式	MRSD-15A-N-1
MODEL	
仕様	(M) D5A++++++M:7
SPEC.No	(A) D5A++++++M:15

# 冷媒及び液循環回路図

## CIRCULATION CIRCUIT OF REFRIGERANT AND FLUID

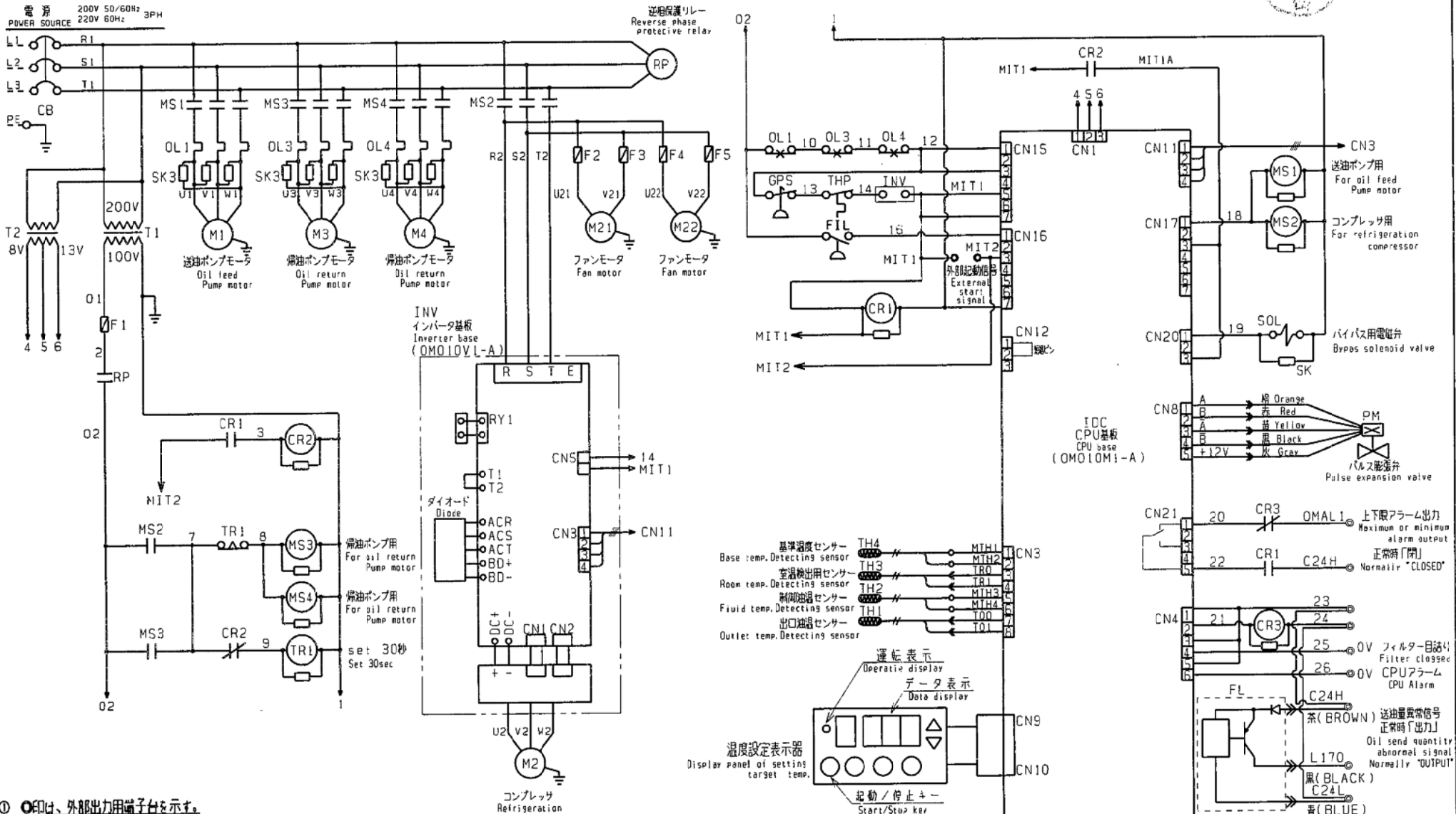
M/N MODEL) MRSD-15A-N-1	承認 APPROVED	確認 CHECKED	作成 DRAWN		
① SPC D5A+++++++M14				2.22	
② SPC D5A+++++++M15				17.2.21	
← 液循環方向 (FLUID)					
← -- 冷媒循環方向 (REFRIGERATION)					

△変更No. 2

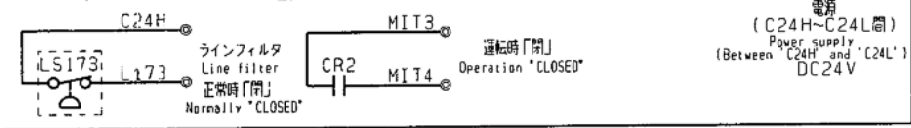


# 電気回路図 ELECTRIC CIRCUIT DIAGRAM

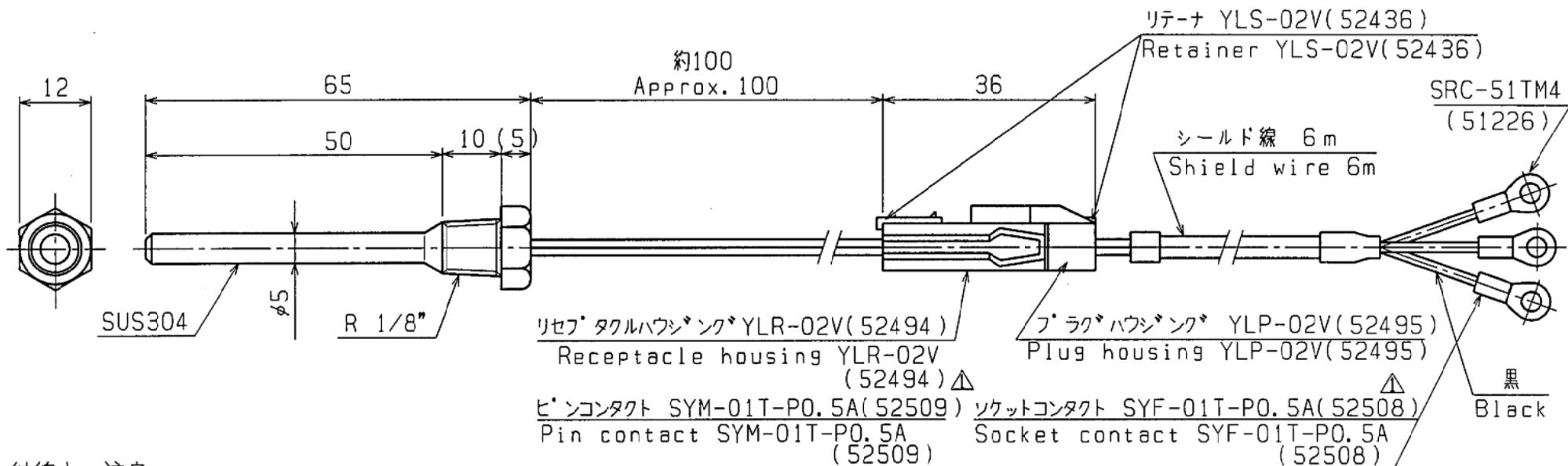
MODEL	MRSD-15A-N-1	APPROVED	DATE	CHARGE
SPC	DSA+++++++M26		2003.7.10	
図面No.			2003.7.12	
承認者				



- ① ○印は、外部出力用端子台を示す。  
○mark...output terminal block.
- ② 配線色は、制御回路・・・赤(交流)、青(直流) 接地線・・・黄/緑 動力線・・・黒を使用。  
Wiring color control circuit-Red (AC) Blue (DC) Ground lead-Y/G Power-Black
- ③ 外部入力による起動は、端子No. MIT1、MIT2に入力信号(ドライ接点)を入れて下さい。未使用時は回路を閉にして下さい。  
Terminal No. for external start signal is No. "MIT1" and "MIT2". In case of not using circuit must be "open".



電源 (C24H~C24L間)  
Power supply (Between C24H and C24L)  
DC24V



**結線上の注意**

入力信号線(センサーコード)は動力線と束ねないで下さい。ノイズ等の影響により

温度調節器が誤作動する恐れがあります。動力線と離して配線して下さい。

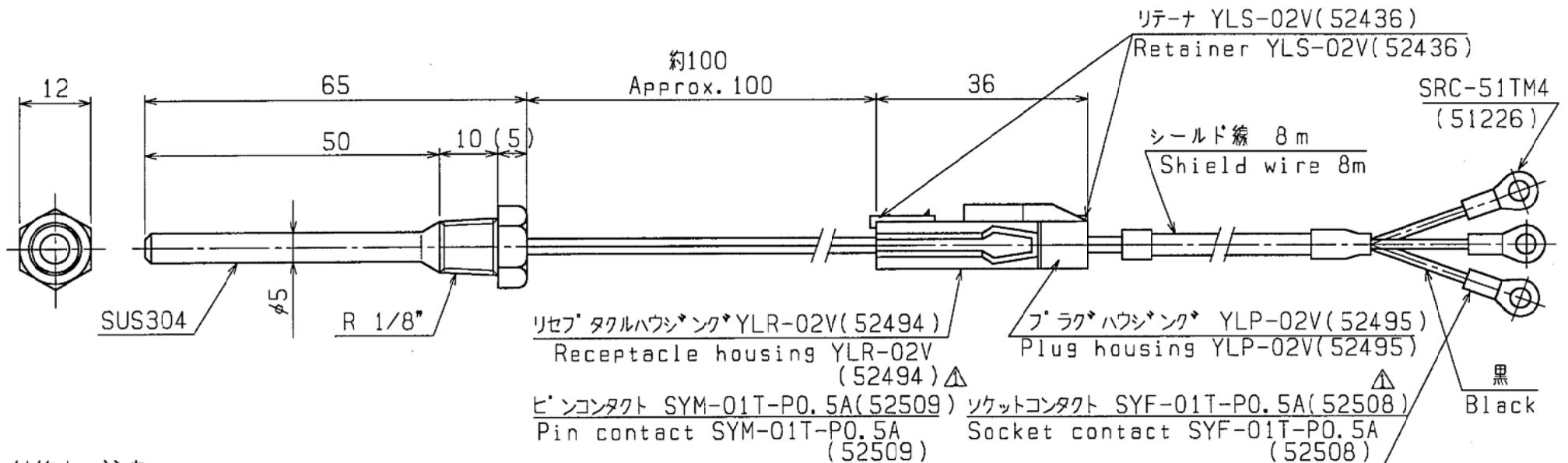
線番号は電気回路図参照  
Wire number refer to electric circuit diagram.

**INSTRUCTIONS FOR WIRING:**

Do not tie input signal lines (sensor cords) together with power lines, in which case, a temperature controller might misoperate because of noise or other reasons.

Please wire input signal lines separately from power lines.

				製 図 DRAWN	設 計 DESIGNED	検 査 CHECKED	承 認 APPROVED	'98年 5月 12日 '98.5.12	名 称 TITLE	センサー(ヘックスヘッド型) SENSOR (Hexagon head type)			
				2001.7.17 野	2001.7.18 藤	2001.7.18 藤	2001.7.18 藤	尺 度 SCALE	1 / 1	図 番 DWG. NO.	437-6700-01	個 数 QTY	
△	99-1-27	コンタクト型式誤記訂正	中島	KANTO SEIKI CO., LTD.									
記号 MARK	日付 DATE	訂 正 理 由 CORRECTIONAL REASON	訂正者 NAME										



**結線上の注意**

入力信号線(センサーコード)は動力線と束ねないで下さい。ノイズ等の影響により

温度調節器が誤作動する恐れがあります。動力線と離して配線して下さい。

Wire number refer to electric circuit diagram.

**INSTRUCTIONS FOR WIRING:**

Do not tie input signal lines (sensor cords) together with power lines, in which case, a temperature controller might misoperate because of noise or other reasons.

Please wire input signal lines separately from power lines.

				製図 DRAWN	設計 DESIGNED	検閲 CHECKED	承認 APPROVED	'98年 5月12日 '98.5.12	名称 名称	センサー(ヘックスヘッド型)			
				98.2.9	石田	2.9		尺度 SCALE	1/1	TITLE	SENSOR (Hexagon head type)		
△	99-1-27	コンタクト型式記号訂正	中島							図番 DWG. NO.	437-6100-01	個数 QTY	1/台 1/unit
MARK	DATE	CORRECTIONAL REASON	訂正者 NAME	KANTO SEIKI CO., LTD									