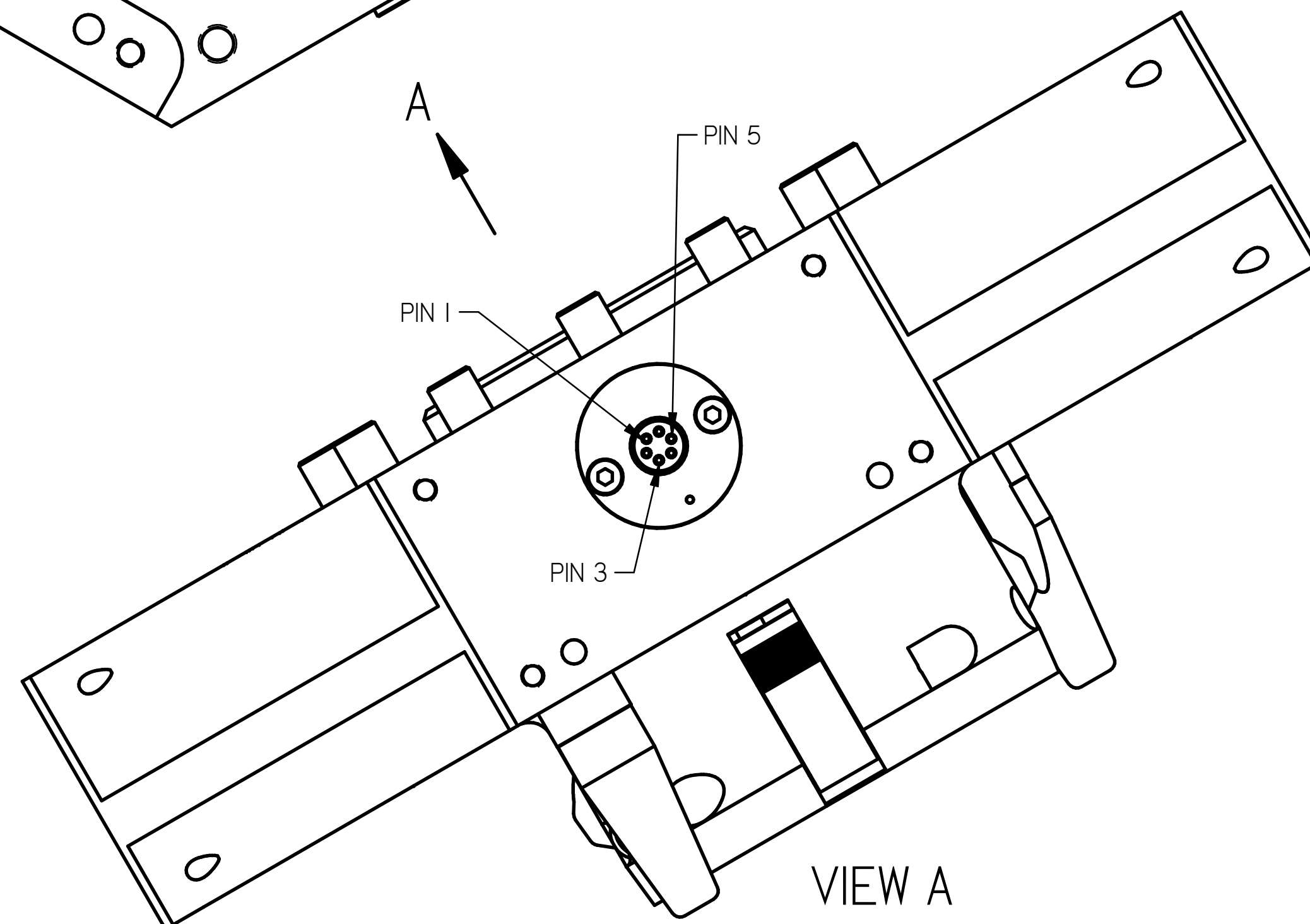
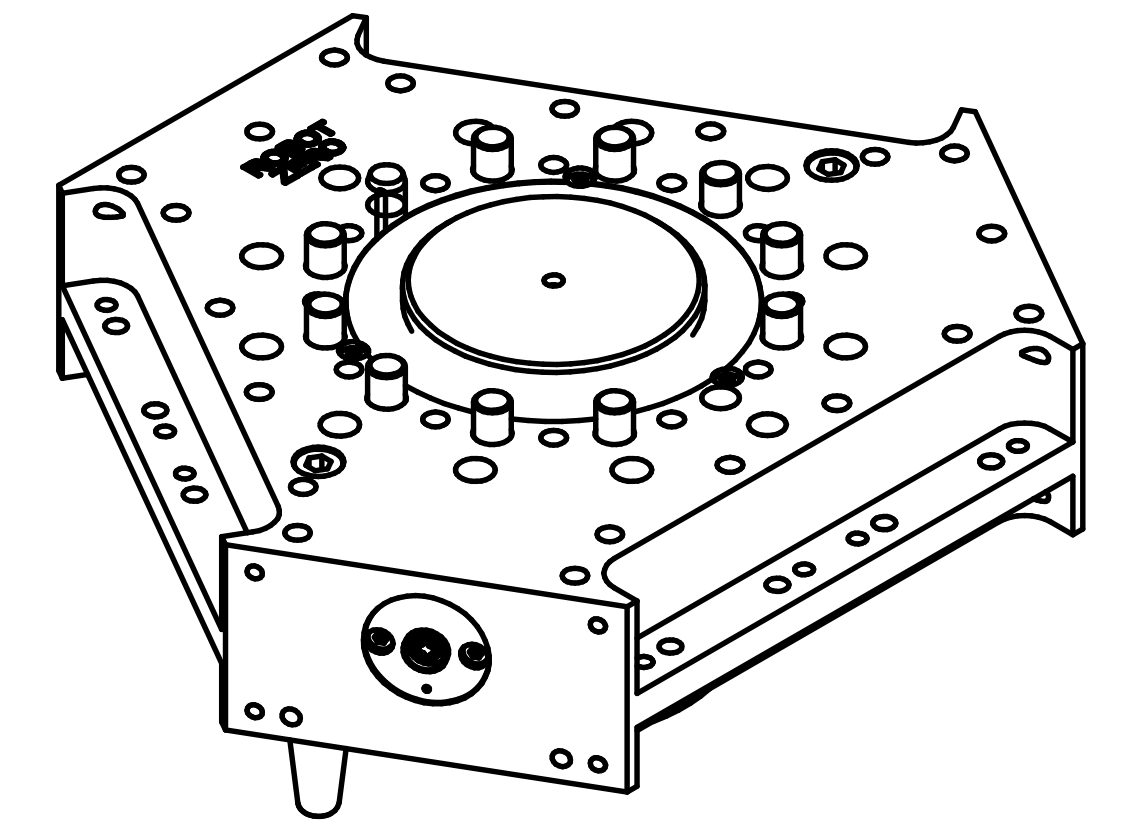
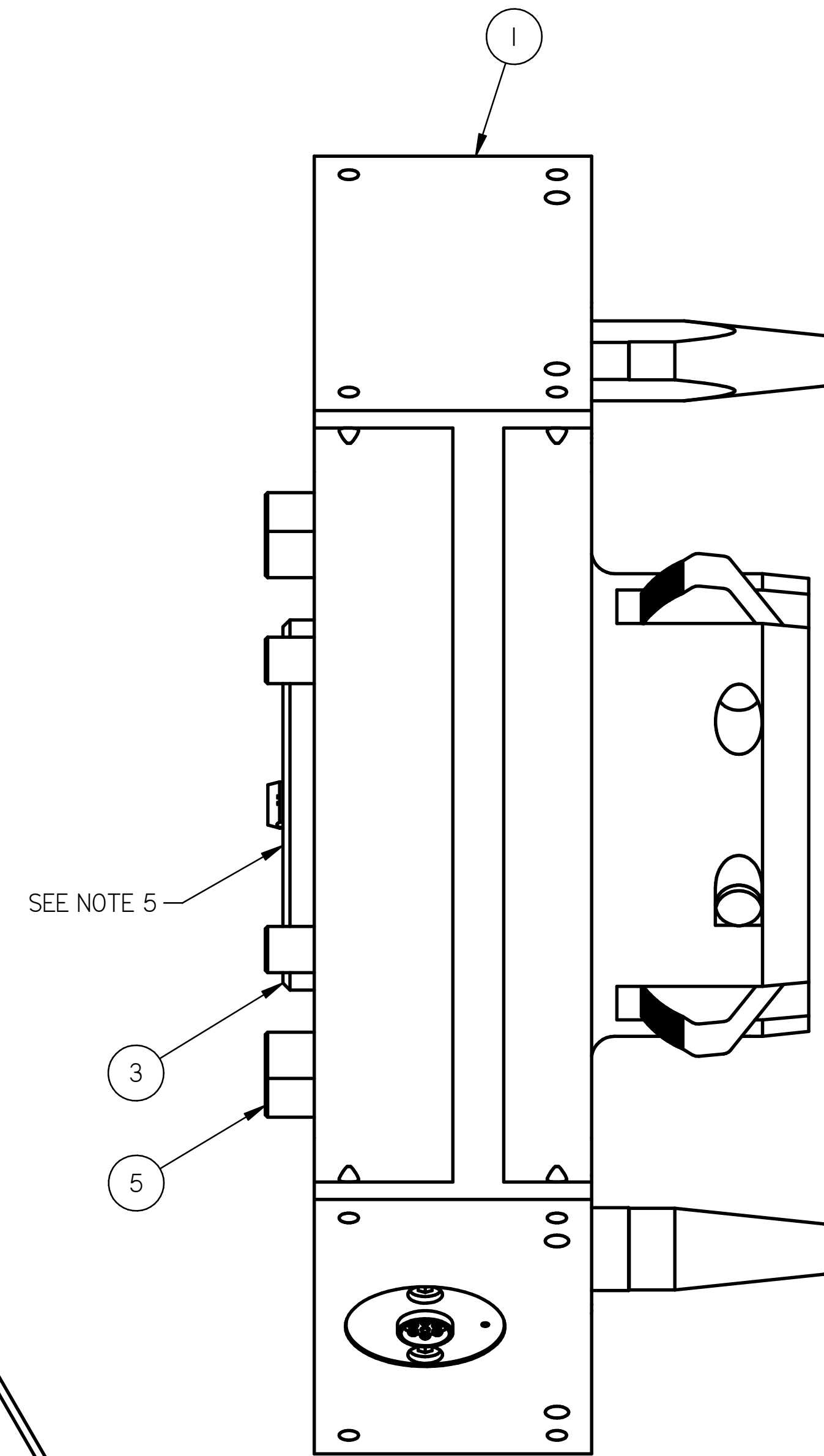
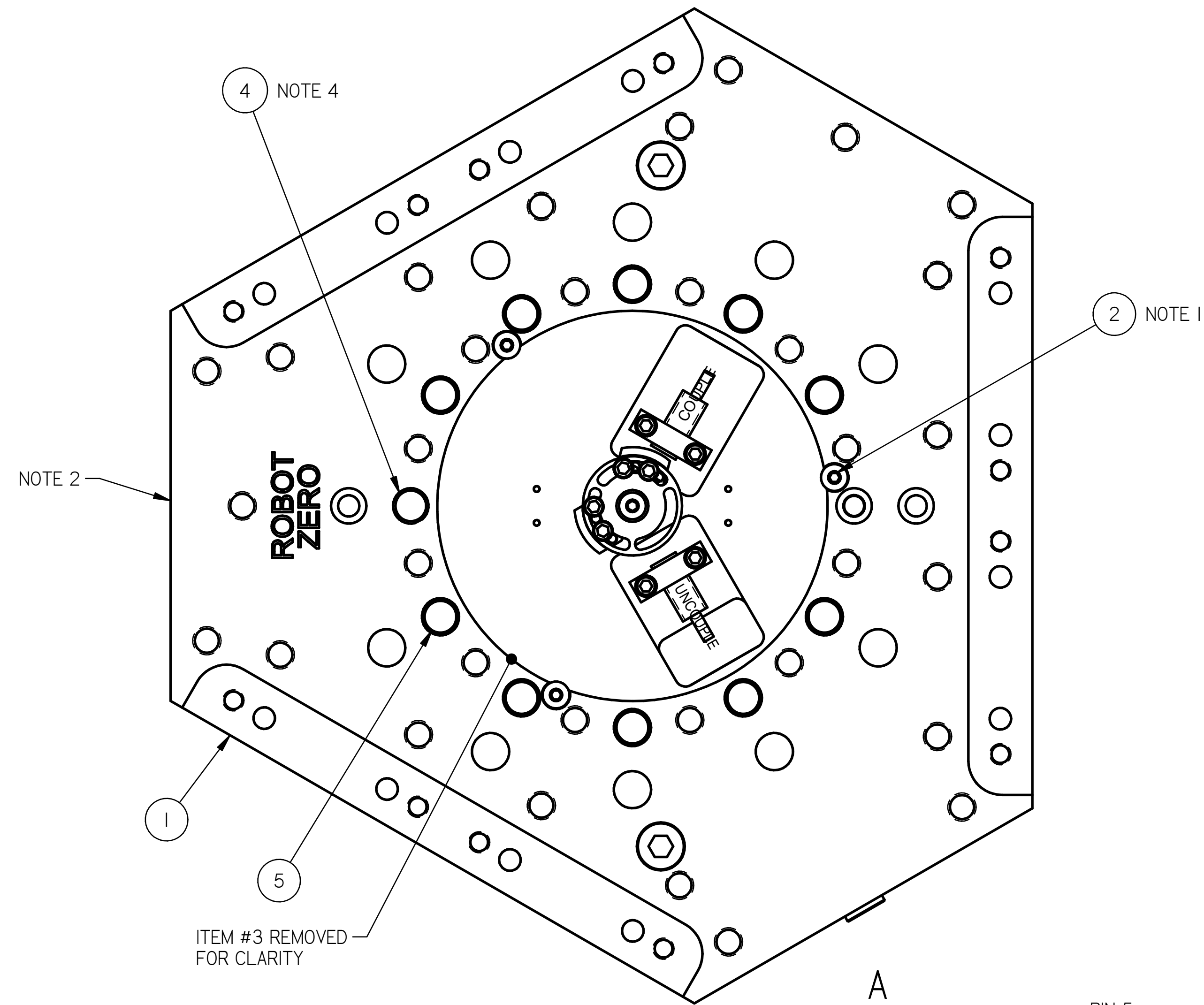


REVISIONS

REV	DESCRIPTION	DR	CHK	DATE	ECR/ESR NO.
00	REDRAWN FROM #0304-D60A REV 06. RELEASED TO MANUFACTURING.	JV	PS	7/11/12	DWAR-8W3HHJ



SIZE	TORQUE
M5	4.5 ft-lbs (6.1 N-m)
M6	7.7 ft-lbs (10.4 N-m)
M8	19.0 ft-lbs (25.7 N-m)
M10	37.0 ft-lbs (50.1 N-m)
M12	65.0 ft-lbs (88.1 N-m)

- NOTES:
1. APPLY LOCTITE 222, ARI #86005-P1020.
 2. APPLY LABEL, ARI # 90114L.
 3. REF. ELECTRICAL SCHEMATIC, ARI #0208-B09A.
 4. DO NOT INSTALL, SHIP LOOSE WITH MOUNTING HARDWARE. CUSTOMER TO INSTALL.
 5. APPLY LABEL, ARI # 94558.
 6. APPLY LABEL, ARI # 0708-P74N.
 7. APPLY LABEL, ARI # 0708-P75N.

APPROX. MODEL WEIGHT 16.1 lbm

APPROVED FOR PRODUCTION

PRINT DATE 9/18/2014

THIRD ANGLE PROJECTION

THE INFORMATION CONTAINED HEREIN IS THE SOLE PROPERTY OF APPLIED ROBOTICS INC. THE INFORMATION IN THE DOCUMENT IS SUBJECT TO CHANGE WITHOUT NOTICE. APPLIED ROBOTICS MAKES NO WARRANTY OF ANY KIND WITH REGARD TO THIS DOCUMENT, INCLUDING, BUT NOT LIMITED TO, IMPLIED WARRANTIES OF FITNESS FOR A PARTICULAR PURPOSE. APPLIED ROBOTICS INC. SHALL NOT BE LIABLE FOR ANY ERRORS CONTAINED HEREIN OR FOR INCIDENTAL OR CONSEQUENTIAL DAMAGES IN CONNECTION WITH THE PERFORMANCE OR USE OF THIS DOCUMENT.

3D ISO 9001 REGISTERED

METRIC	
TOLERANCES UNLESS OTHERWISE SPECIFIED	
DECIMAL (MILLIMETER)	.X = ±
	.XX = ±
ANGLES = ±	
SURFACE FINISH =	✓
MATL:	
SURFACE TREATMENT:	

ITEM	QTY	ARI PART NO.	DESCRIPTION
5	10	49077	SCR, SOC HD CAP
4	1	49755	DOWEL, PULL M10 X 20 H7
3	1	0303-C54N	BOSS, 80mm, S3.1R
2	3	49105	SCR, BUT HD SOC CAP
1	1	0303-D98A	SUBASSY, S3.1R

BILL OF MATERIALS	
DR	J VALLELUNGA
CHK	P SLAVINSKI
ENG	J VALLELUNGA
MFG	J SERFILIPPI
ISSUED	J VALLELUNGA
QC	J SERFILIPPI
SCALE: 1X	
DO NOT SCALE DRAWING	
DIM. AND TOLERANCING IN ACCORDANCE WITH ANSI Y14.5M-1982	

Applied Robotics, Inc.
648 Saratoga Rd.
Glenville, NY 12302
Tel. (518) 384-1000
Fax. (518) 384-1200

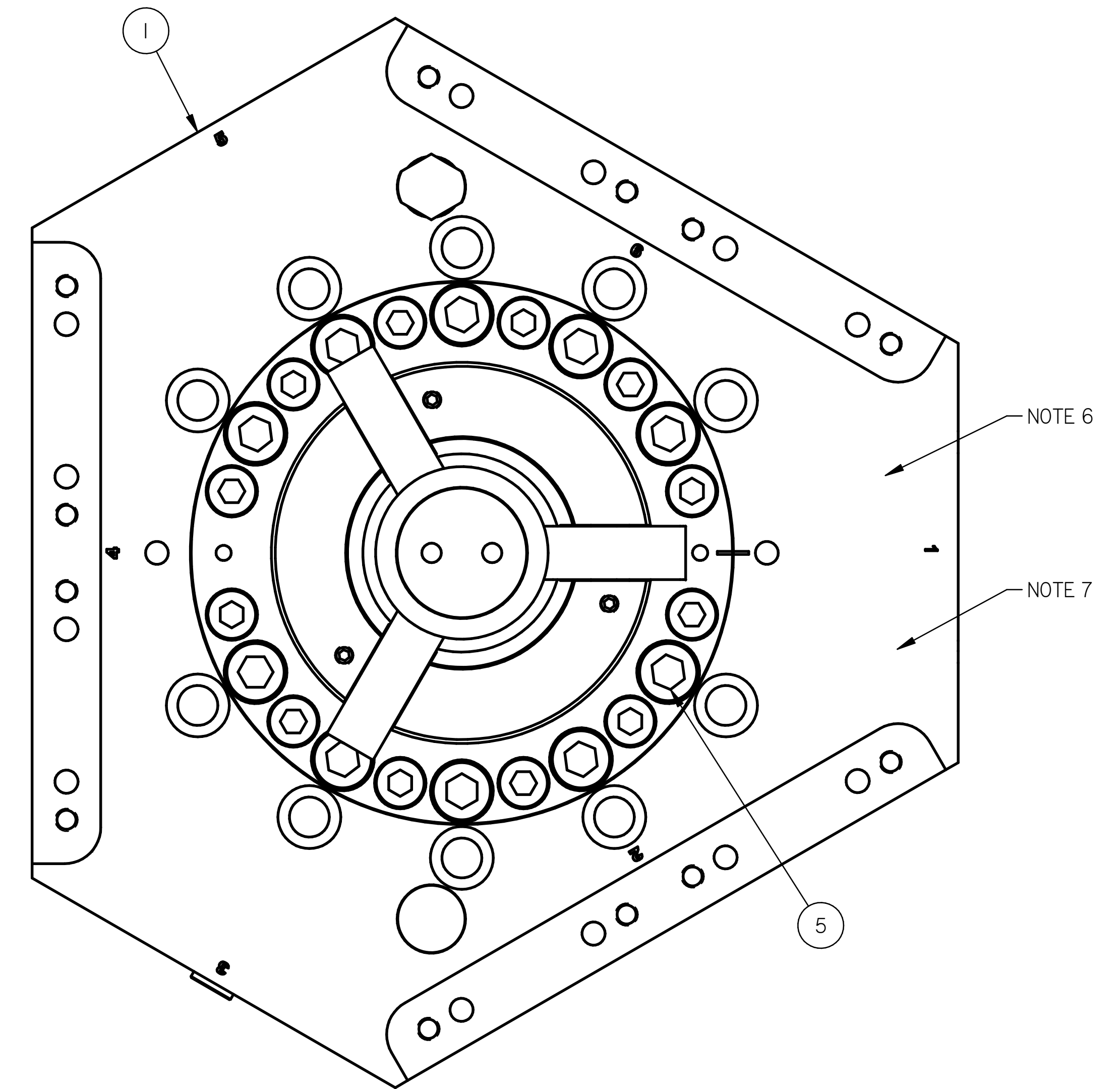
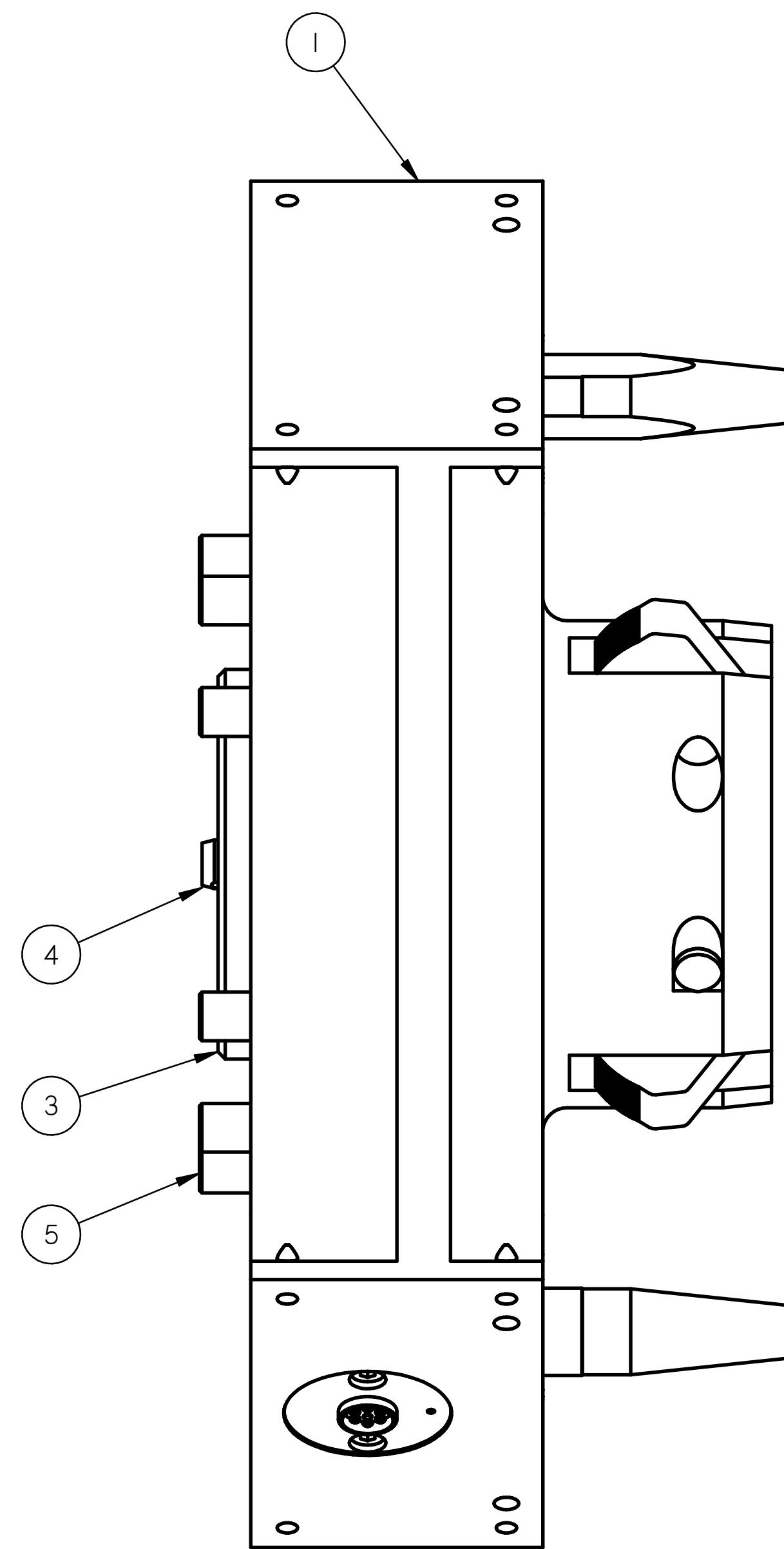
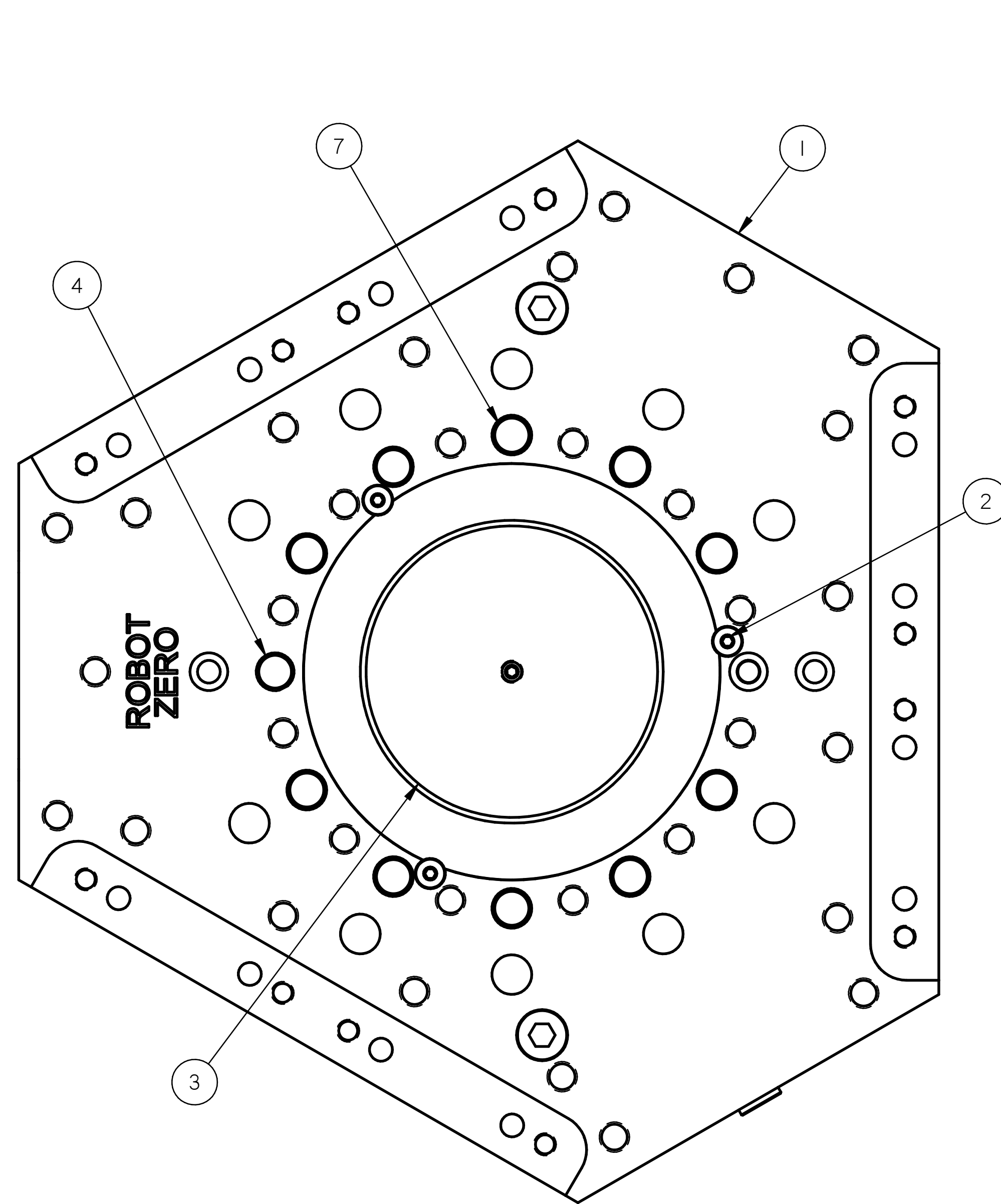
Applied Robotics
Solutions in reach

TITLE
S3.1R-P-2PNP-B-080-H-A000
XChange ROBOT ADAPTOR UNIT
SHEET 1 OF 3

SIZE	D	1206-D05A	00
------	---	-----------	----

REVISIONS

REV	DESCRIPTION	DR	CHK	DATE	ECR/ESR NO.
00	REDRAWN FROM #0304-D60A REV 06. RELEASED TO MANUFACTURING.	JV	PS	7/11/12	DWAR-8W3HHJ



APPROX. MODEL WEIGHT 16.1 lbm

APPROVED FOR PRODUCTION

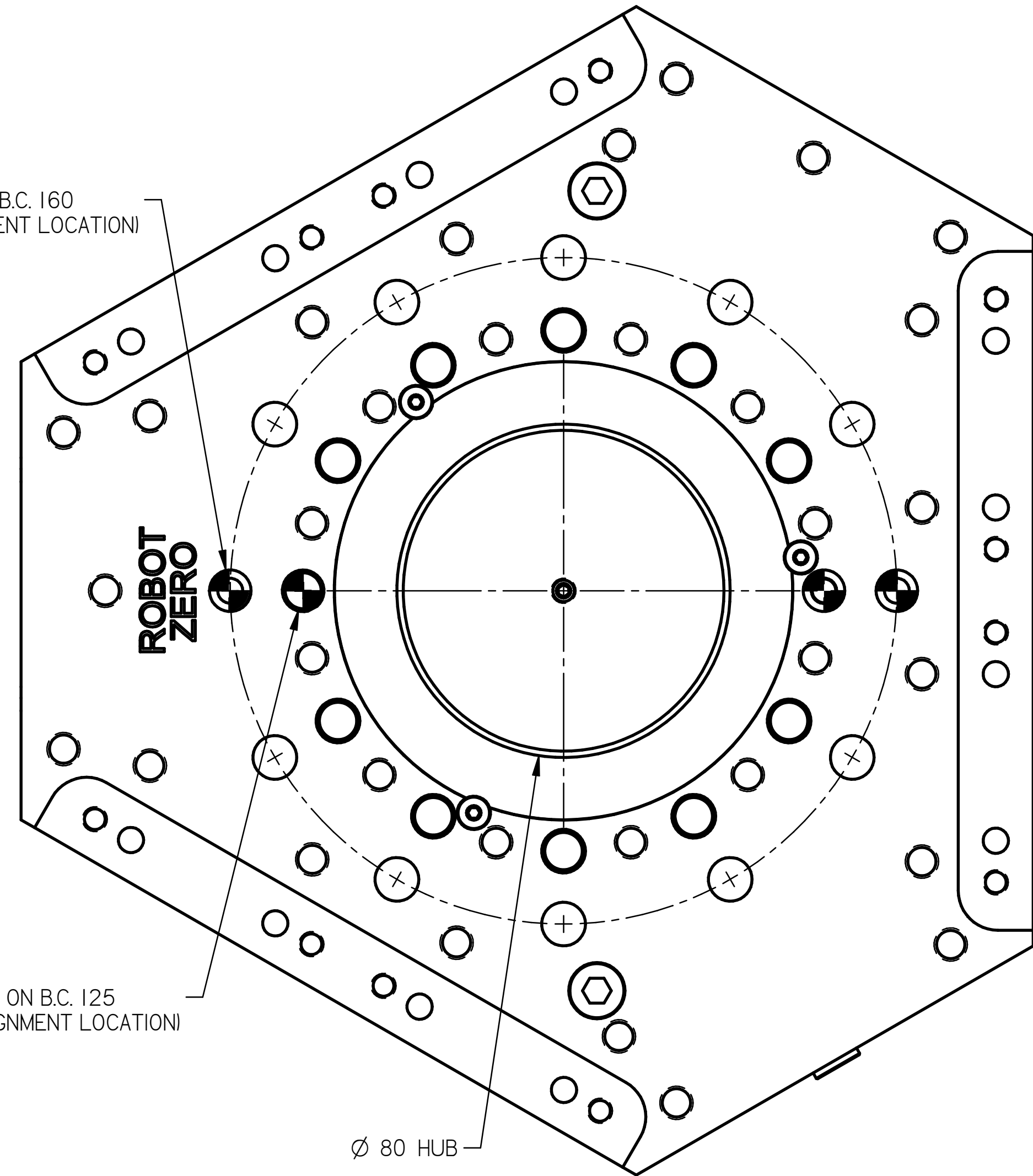
PRINT DATE
9/18/2014

THIRD ANGLE PROJECTION		METRIC		BILL OF MATERIALS	
<p>THE INFORMATION CONTAINED HERE IN IS THE SOLE PROPERTY OF APPLIED ROBOTICS INC. THE INFORMATION IN THE DOCUMENT/FILE IS SUBJECT TO CHANGE WITHOUT NOTICE. APPLIED ROBOTICS MAKES NO WARRANTY OF ANY KIND WITH REGARD TO THIS DOCUMENT/FILE, INCLUDING, BUT NOT LIMITED TO, IMPLIED WARRANTIES OF FITNESS FOR A PARTICULAR PURPOSE. APPLIED ROBOTICS INC. SHALL NOT BE LIABLE FOR ANY ERRORS CONTAINED HERE IN OR FOR INCIDENTAL OR CONSEQUENTIAL DAMAGES IN CONNECTION WITH THE PERFORMANCE OR USE OF THIS DOCUMENT/FILE.</p>	<p>TOLERANCES UNLESS OTHERWISE SPECIFIED</p> <p>DECIMAL (MILLIMETER)</p> <p>.X = ±</p> <p>.XX = ±</p> <p>ANGLES = ±</p> <p>SURFACE FINISH = ✓</p> <p>MATL:</p> <p>SURFACE TREATMENT:</p>	DR	J VALLELUNGA	<p>Applied Robotics, Inc. 648 Saratoga Rd. Glenville, NY 12302 Tel. (518) 384-1000 Fax. (518) 384-1200</p>	<p>TITLE</p> <p>S3.1R-P-2PNP-B-080-H-A000 XChange ROBOT ADAPTOR UNIT SHEET 2 OF 3</p>
		CHK	P SLAVINSKI		
		ENG	J VALLELUNGA		
		MFG	J SERFILIPPI		
ISSUED	J VALLELUNGA	SCALE: 1X	DO NOT SCALE DRAWING	SIZE	1206-D05A
QC	J SERFILIPPI	DIM. AND TOLERANCING IN ACCORDANCE WITH ANSI Y14.5M-1982		D	00
3D	ISO 9001 REGISTERED				

REVISIONS

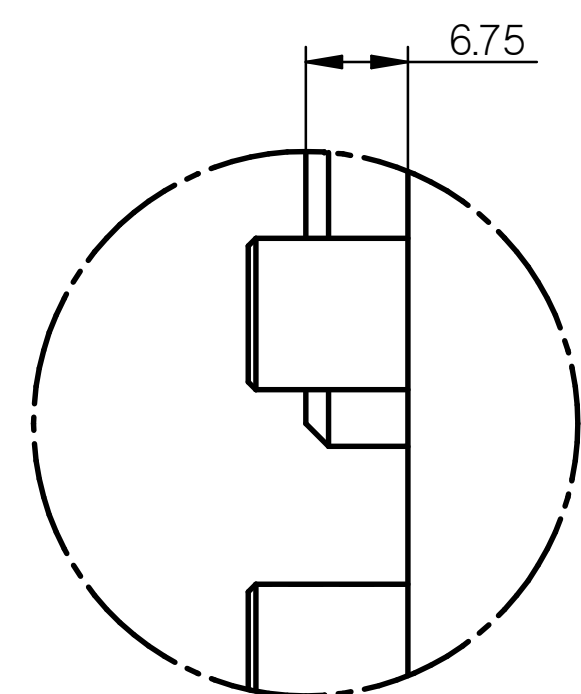
REV	DESCRIPTION	DR	CHK	DATE	ECR/ESR NO.
00	REDRAWN FROM #0304-D60A REV 06. RELEASED TO MANUFACTURING.	JV	PS	7/11/12	DWAR-8W3HHJ

2x M10 DOWEL ON B.C. 160
(OPTIONAL ALIGNMENT LOCATION)

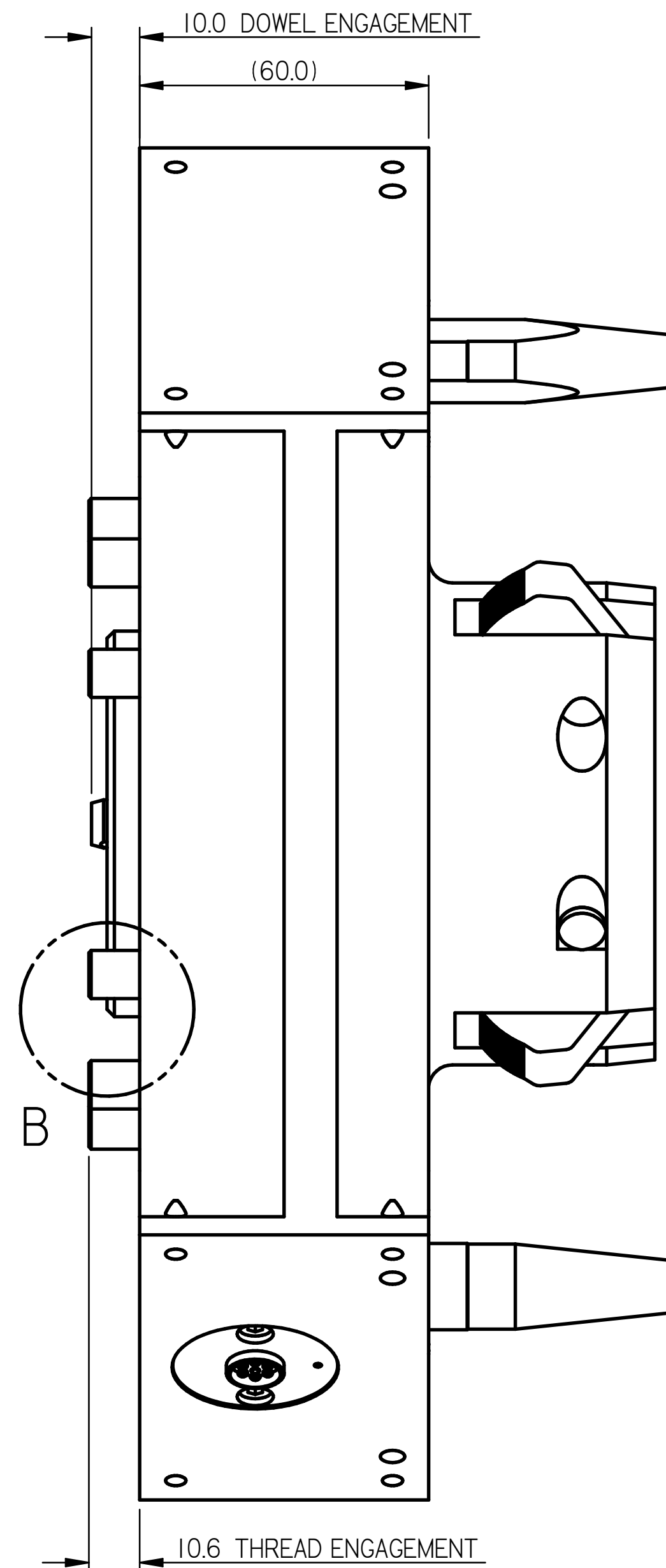


2x M10 DOWEL ON B.C. 125
(OPTIONAL ALIGNMENT LOCATION)

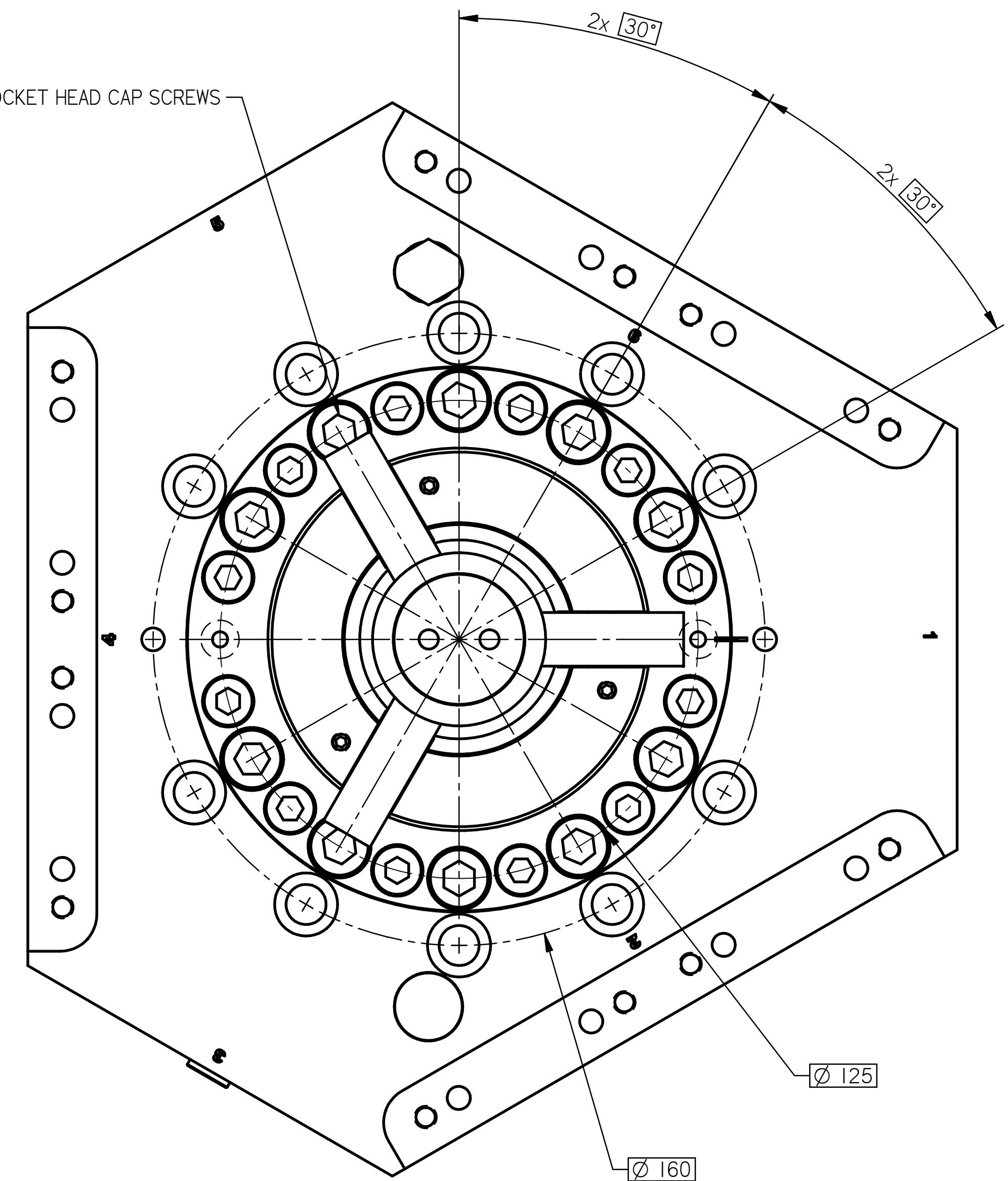
Ø 80 HUB



DETAIL B



10x M10 SOCKET HEAD CAP SCREWS
(INCLUDED)



APPROVED FOR PRODUCTION

PRINT DATE
9/18/2014

THIRD ANGLE PROJECTION	
<small>THE INFORMATION CONTAINED HERE IN IS THE SOLE PROPERTY OF APPLIED ROBOTICS INC. THE INFORMATION IN THE DOCUMENT/FILE IS SUBJECT TO CHANGE WITHOUT NOTICE. APPLIED ROBOTICS MAKES NO WARRANTY OF ANY KIND WITH REGARD TO THIS DOCUMENT/FILE, INCLUDING, BUT NOT LIMITED TO, IMPLIED WARRANTIES OF FITNESS FOR A PARTICULAR PURPOSE. APPLIED ROBOTICS INC. SHALL NOT BE LIABLE FOR ANY ERRORS CONTAINED HERE IN OR FOR INCIDENTAL OR CONSEQUENTIAL DAMAGES IN CONNECTION WITH THE PERFORMANCE OR USE OF THIS DOCUMENT/FILE.</small>	
3D	ISO 9001 REGISTERED

METRIC	
TOLERANCES UNLESS OTHERWISE SPECIFIED	
DECIMAL (MILLIMETER)	
.X = ±	
.XX = ±	
ANGLES = ±	
SURFACE FINISH =	✓
MATL:	
SURFACE TREATMENT:	

BILL OF MATERIALS	
DR	J VALLELUNGA
CHK	P SLAVINSKI
ENG	J VALLELUNGA
MFG	J SERFILIPPI
ISSUED	J VALLELUNGA
QC	J SERFILIPPI
SCALE: 1X	
DO NOT SCALE DRAWING	
DIM. AND TOLERANCING IN ACCORDANCE WITH ANSI Y14.5M-1982	

Applied Robotics, Inc. 648 Saratoga Rd. Glenville, NY 12302 Tel. (518) 384-1000 Fax. (518) 384-1200	
TITLE	
S3.1R-P-2PNP-B-080-H-A000	
XChange ROBOT ADAPTOR UNIT	
SHEET 3 OF 3	
SIZE	1206-D05A
D	00

APPROX. MODEL WEIGHT 16.1 lbm