



2GDS35 133x190L **

L23-A7 p



DATA SHEET

release. a - Revision 07-2014

Replace Z18-10 p

Voltage	Frequency	Absorbed Power	Absorbed Current	Capacitor	Airflow	Rotation speed	Acoustic level	Rotation	Operational Temperature
V	Hz	W	A	µF	m³/h	RPM	dBA	↻	Min/Max
230	50	234	1,02	4,0	750	1905	56	L	-20°C / +60°C
230	60	246	1,08	4,0	615	2040	53	L	-20°C / +40°C
230	50				441 CFM				-4°F / 140°F
230	60				361 CFM				-4°F / 104°F



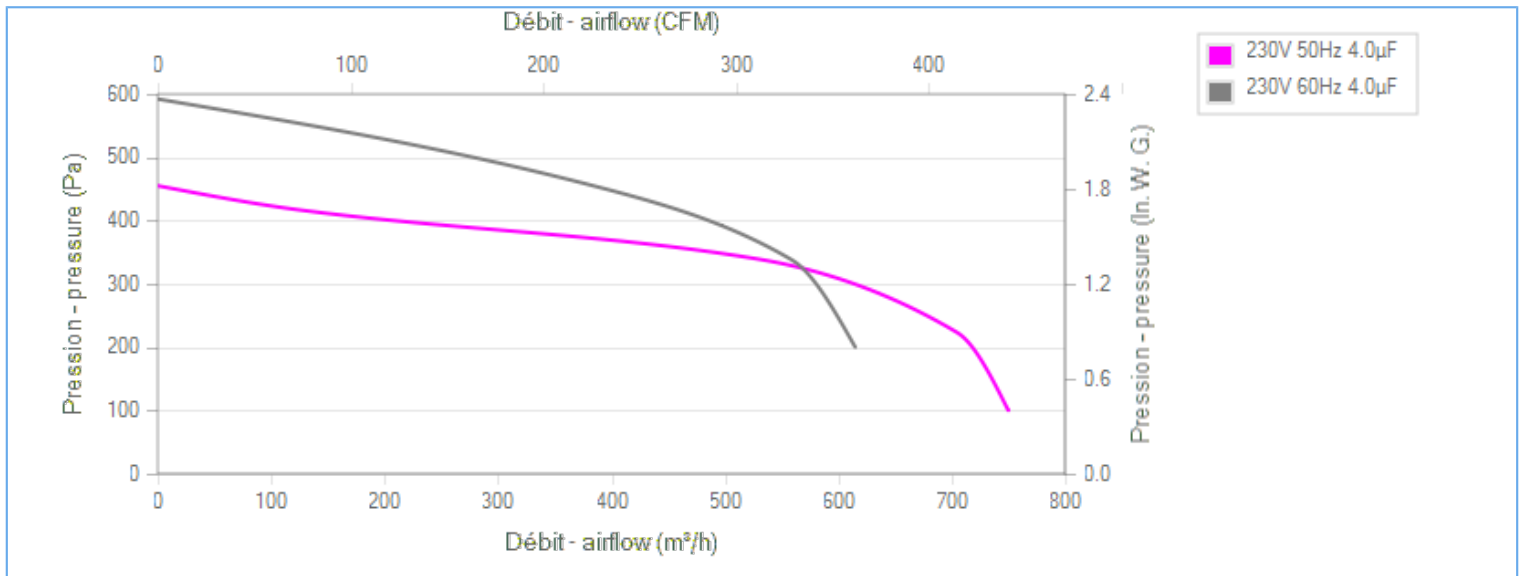
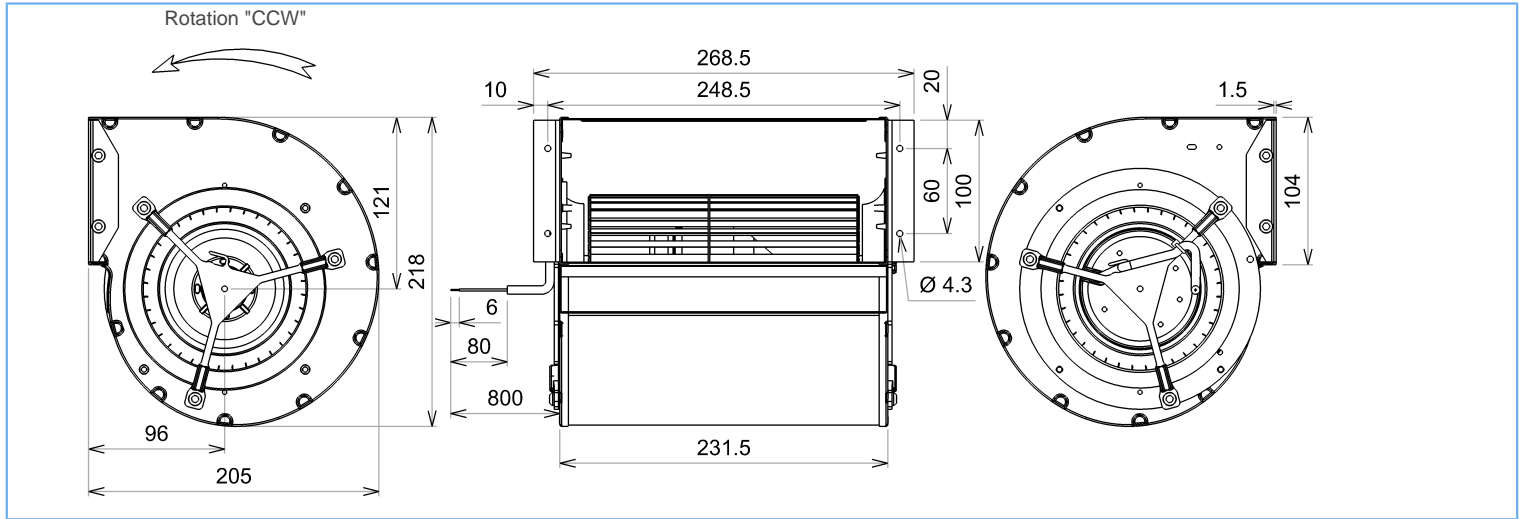
dBA : free blowing

ErP 2013

OK

ErP 2015

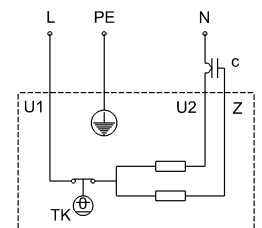
OK



Description

- .Weight : 4,0 Kg
- .Ball bearing
- .Class F, thermally protected
- .IP44 protection depending on installation and position as per EN60034-5
- .G2.5 balancing
- .Scroll housing : black paint
- .Galvanized steel impeller

U1 = Blue
 U2 = Black
 Z = Brown
 PE = Green/Yellow





2GDS35 133x190L **

L23-A7 p



DATA SHEET

release. a - Revision 07-2014

Replace Z18-10 p

Data in accordance to ErP directive

Voltage	230	V
Frequency	50	Hz
Power	0,153	kW ⁽¹⁾
Airflow	530	m ³ /h ⁽¹⁾
Pressure	339	Pa ⁽¹⁾
Rotation speed	2553	RPM ⁽¹⁾

(1) at optimal efficiency point

	Actual	Request 2013	Request 2015
Overall efficiency (η)	32,6	25,5	32,5
Efficiency grade	44	37	44
Installation category	A		
Efficiency category	static		
Variable speed drive	No		
Specific ratio	1,00		

Designed for regular application according ErP directive EU 2009/125/EC

Accessories

Capacitor for 50Hz	19019
Capacitor for 60Hz	19019
Finger guard	21338
Connector	09145

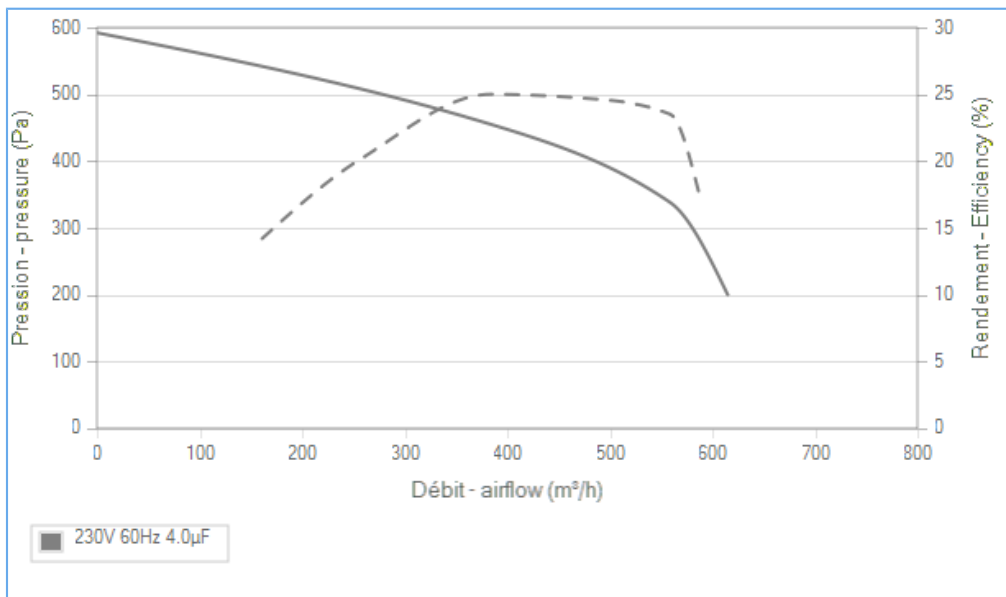
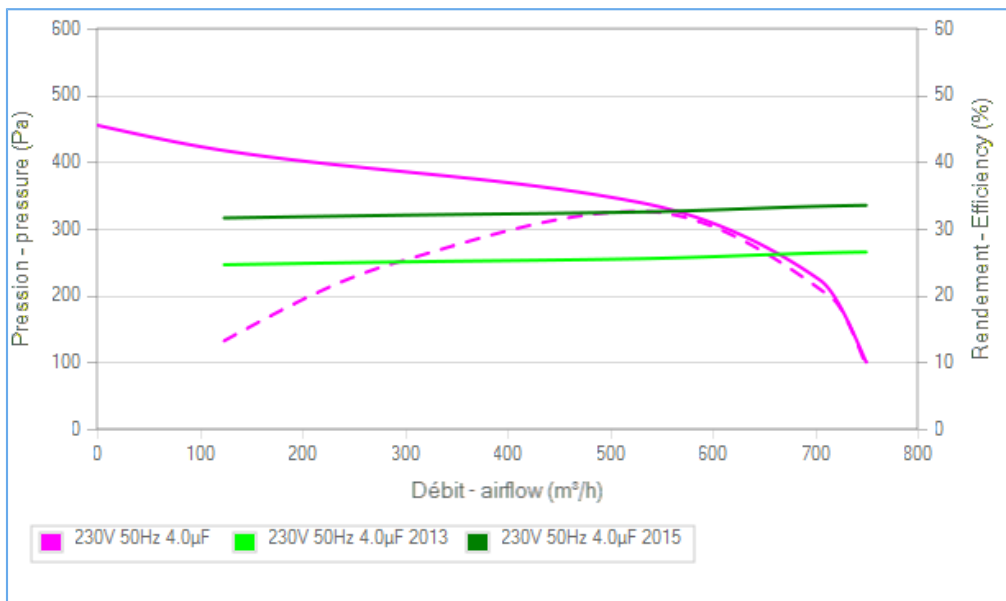
Measurement setup

Contact ECOFIT

Documents

Manuel d'utilisation
www.ecofit.com/site/normes

Operating and recycling manual
www.ecofit.com/anglais/normes



Non contractual document. All specifications are subject to change without prior notice. Picture for information only.