

Twist-Lock® Devices Mechanical Interlock Switched Safety Enclosures Circuit-Lock® Unfused Safety-Shroud® Enclosure

HUBBELL



Features

- Unfused Mechanical Interlock for Watertight Safety-Shroud
- Virtually Eliminates Possible Circuit Making or Breaking While Under Load
- Compact, Corrosion Resistant Type 4X Non-metallic Enclosure
- Molded Valox Resists Abuse, Corrosion and Enhances Safety

Ordering Information

Description	Device Color	UPC	Catalog Number
Accommodates 20A and 30A Watertight Safety-Shroud® Twist-Lock receptacles	Gray	783585176802	HBLMITL



Listings

Listed to UL Standard
CSA Certified TYPE 4, 4X and TYPE 12K Enclosure Rating

Specifications

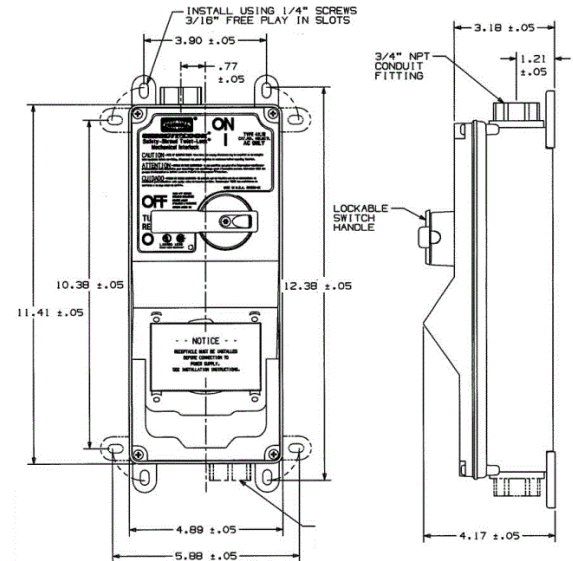
Base	PBT
Top	PBT
Handle	PBT
Conduit Hub	Zinc 3/4" watertight
Enclosure Gasket	Neoprene
Shaft	PBT

Performance

Electrical	
Current Interrupting	Certified for current interrupting at full rated current and voltage
Dielectric Voltage	Withstands 3,000V minimum
Max. Working Voltage	600V RMS
Operations	Mechanical 10,000 cycles; Electrical 6,000 cycles

Mechanical	
Impact Resistance	In accordance with UL 746C
Mounting	External full adjustable feet
Product Identification	Identification and ratings are part of the external label and receptacle face
Terminal Identification	In accordance with UL, CSA

Environmental	
Flammability	Meets UL 94V0 material classification
Moisture Resistance	IP66 suitability
Operating Temperature	Maximum continuous +75°C; Minimum continuous -40°C
UV Resistance	All exposed materials are UV stabilized



Accessories

Receptacle Accommodation 20 Amp & 30 Amp Twist-Lock®

Resources

Customer Use Drawing
eCatalog

Dimensions in Inches (mm)

Hubbell Wiring Device-Kellems • Hubbell Incorporated (Delaware) • 40 Waterview Drive • Shelton, CT 06484

Phone (800) 288-6000 • Fax (800) 255-1031 • Specifications subject to change without notice.

