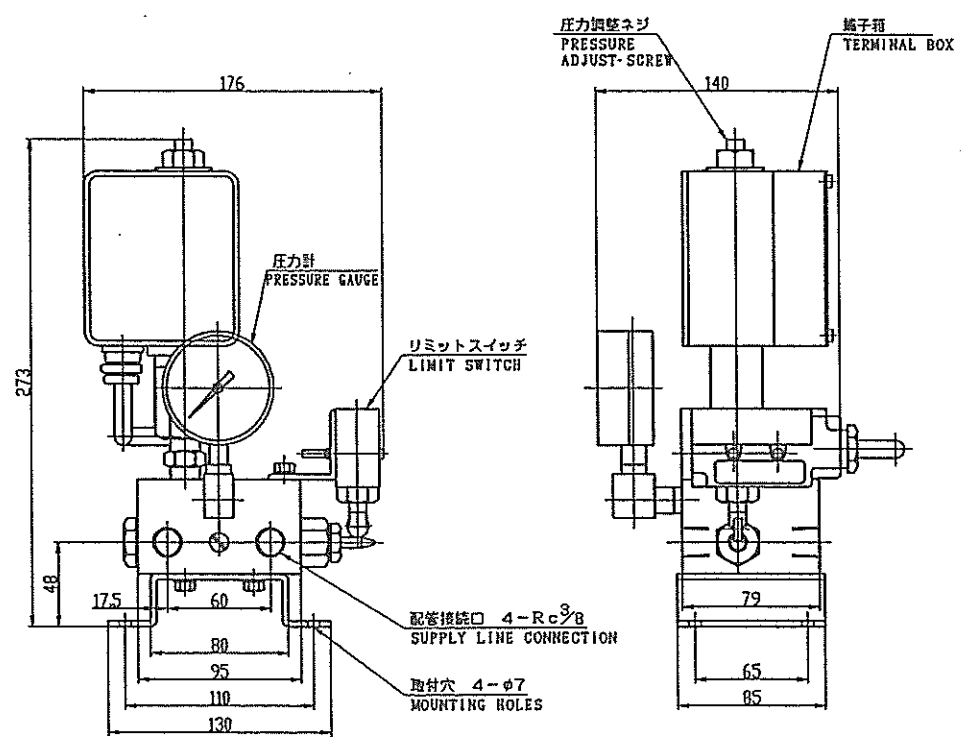
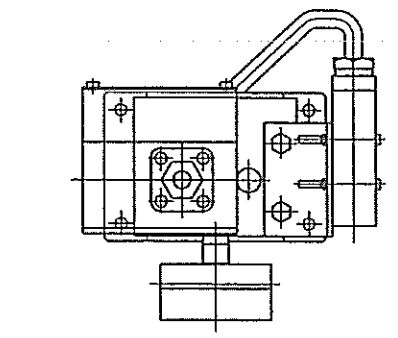


改定REV	改定内容 DESCRIPTION	日付DATA	担当SKN
△	TAG, No	'02.07.08	kafou
△			
△			

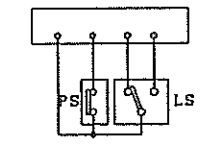
SPECIFICATION

Model : KCV-2
 Working pressure(Max.) : 20.6 MPa (210Kg/cm²)
 Set pressure : 4MPa (Shipping)
 Pressure adjustable range : 2.5~19.6 MPa
 Piping connection size : 4-Rc 3/8
 Weight : 53N (5.4Kg)
 Grease used : Grease for centralized lubrication (NLGI No.0~1)

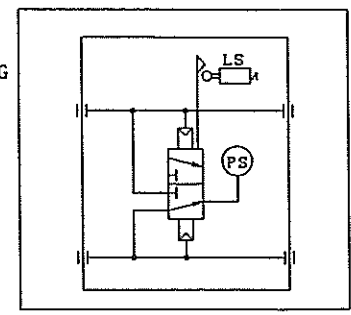
Quantity : 2 sets



電気配線図 ELECTRIC WIRING



回路図 UNIT DIAGRAM



TAG NO	ENTRY	DELIVERY	RS	Mark	名	称	Name
803-LS-01				LS		リミットスイッチ	Limit switch
803-PS-04				PS		圧力スイッチ	Pressure switch

CUSTOMER			
SPECIFICATION			
APPROVED	DRAWN BY	Pressure control valve KCV-2	
<i>Miyazaki</i>	KATOU		
7.9.02	'02.06.06		
CHECKED BY	DESIGNED BY		
	KATOU		
02.7.10	'02.06.06	DWG. No.	301A0585-A3
KOWA CORP. OSAKA JAPAN		CFD.No.	
		CODE No.	1/3
3RD ANGLE PROJECTION		SCALE	
		DATE OF ISSUE	MFG. NO.

図面印
 出図先
 購買
 課
 課長
 課
 課長
 課
 課長
 課
 課長